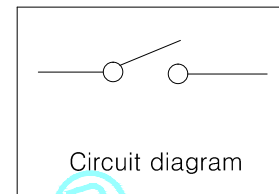
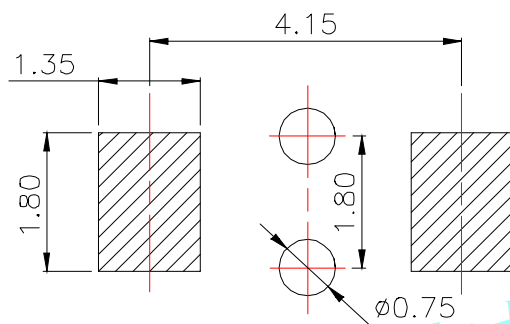
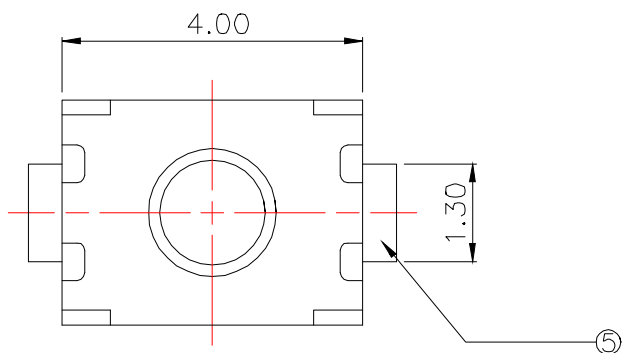


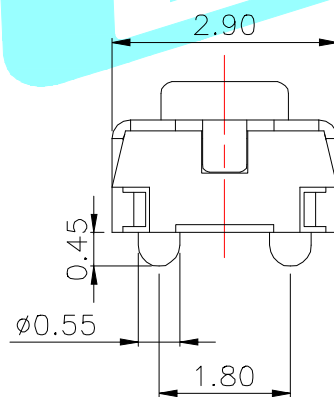
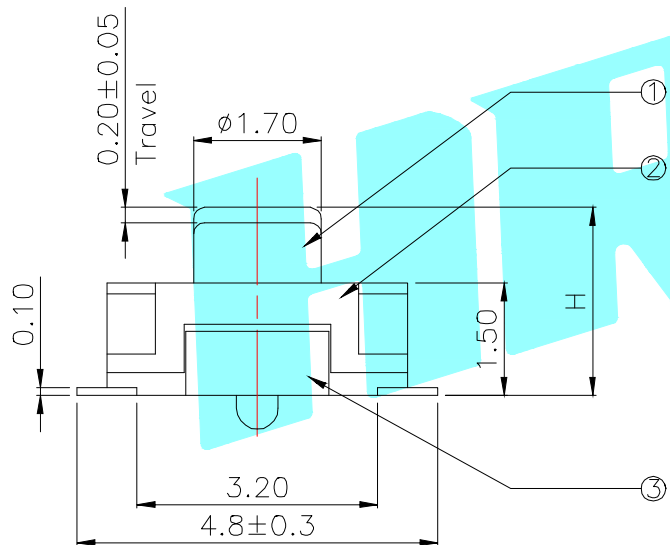
ROHS



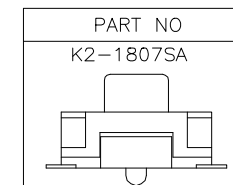
NO.1	
PART NO	H
A	2.0
B	2.5
C	3.0

NO.4-NO.5	
PART NO	NOTE
01~99	SERIAL NUMBER

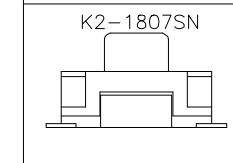
PCB Layout



NO.2	
PART NO	VIGOR
1	90±30
3	180±30
4	250±30



NO.3	
PART NO	MATERIAL/QTY
S	SUS/1PCS
D	SUS/2PCS



⑥	Dust cover	—	1	KAPTON FILM	—	—
⑤	Terminal	—	2	Brass(0.30t)	Plating silver	—
④	Contact	—	2	F.Ag/SUS	—	—
③	Base	—	1	Nylon	Black	—
②	Cover	—	1	SUS	Plating Nickel	—
①	Keystoke	—	1	Nylon	Black	—
ITEM	PART NAME	TER'NO.	QTY.	MATERIAL	FINISHING	REMARK

APPROVALS		DATE	HROELECTRONICS® ELECTRONICS CO.,LTD			
DRAWN	J.X.Zhang	2013/6/24	TITLE:	TACT SWITCHS		
CHECKED			PART NO.	K2-1807S□-□□□W-□□		
APPROVALS			TOLERANCES ARE	30~以上 10~30 5~10 ~ 5	±0.30 ±0.20 ±0.15 ±0.10	ANGLE ±2'
ECN NO.	REV.	DATE.	DESCRIPTION.	CHANGE.	CHECK.	APPRO.

ECN NO.	REV.	DATE.	DESCRIPTION.	CHANGE.	CHECK.	APPRO.
—	A	—	NEW	—	—	—