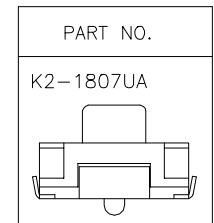


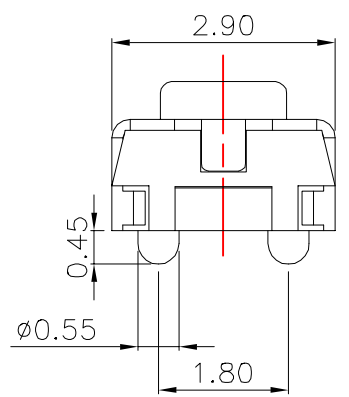
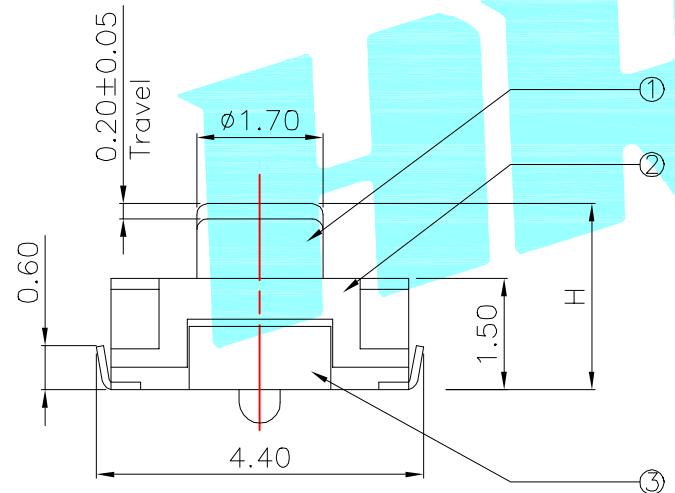
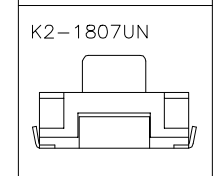
NO.1	
PART NO	H
A	2.0
B	2.5

NO.4-NO.5	
PART NO	NOTE
01~99	SERIAL NUMBER

NO.2	
PART NO	VIGOR
1	90±30
3	180±30
4	250±30



NO.3	
PART NO	MATERIAL/QTY
S	SUS/1PC
D	SUS/2PCS



⑥	Dust cover	—	1	KAPTON FILM	Yellow	—
⑤	Terminal	—	2	Phosphor Bronze	Plating silver	—
④	Contact	—	2	F.Ag/SUS	—	—
③	Base	—	1	Nylon	Black	—
②	Cover	—	1	SUS	Natural	—
①	Keystoke	—	1	Nylon	Black	—
ITEM	PART NAME	TER'NO.	QTY.	MATERIAL	FINISHING	REMARK

APPROVALS		DATE				
DRAWN	xu qi feng	2014/10/21				
CHECKED			TITLE:	TACT SWITCHS		
APPROVALS			PART NO.	K2-1807U□-□□□W-□□		
TOLERANCES ARE		30~以上 ±0.30	ANGLE	UNIT: mm	SCALE: 1:1	PROJ:
		10~30 ±0.20				
		5~10 ±0.15				
		~ 5 ±0.10				

—	A	—	NEW	—	—	—
ECN NO.	REV.	DATE.	DESCRIPTION.	CHANGE.	CHECK.	APPRO.