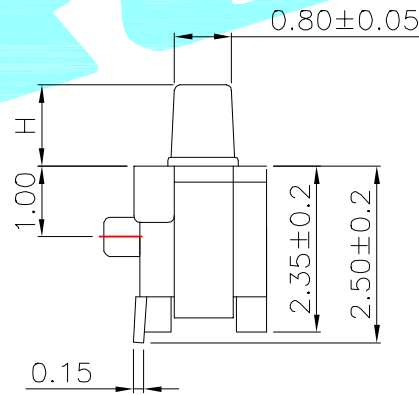
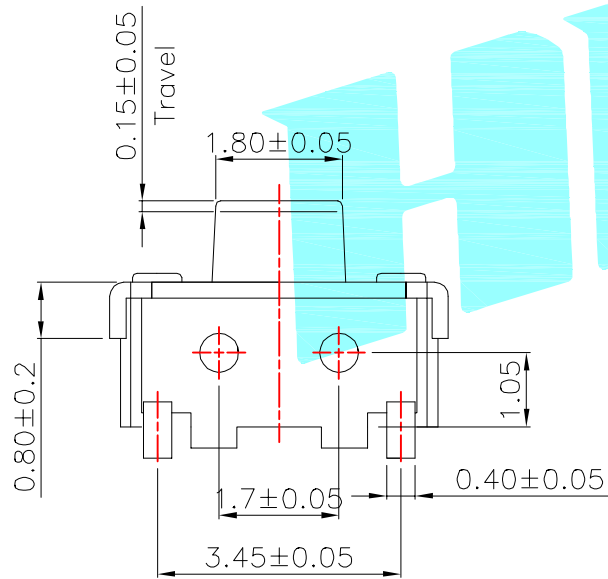


PCB Layout(Pattern side)



NO.1

PART NO	H
A	1.2
B	0.9
C	1.5

NO.2

PART NO	vigor
1	90±30
2	130±30
3	180±30
4	250±30
5	350±50

NO.3

PART NO	MATERIAL/QTY
S	SUS/1PC
C	C5210/1PC
D	SUS/2PCS
F	C5210/2PCS

NO.4-NO.5

PART NO	NOTE
01~99	SERIAL NUMBER

⑤	Terminal	—	2	Phosphor Bronze	Plating silver	—
④	Contact	—	2	SUS	Natural	—
③	Base	—	1	LCP	White	—
②	Cover	—	1	Brass	Plating silver	—
①	Knob	—	1	PA46	Black	—
ITEM	PART NAME	TER'NO.	QTY.	MATERIAL	FINISHING	REMARK

APPROVALS			DATE		 ELECTRONICS CO.,LTD	
DRAWN	J.X.Zhang		2013/9/13			
CHECKED					PART NO.	K2-1806SA-□□□W-□□
APPROVALS					TOLERANCES ARE	30~以上 ±0.30 10~30 ±0.20 5~10 ±0.15 ~ 5 ±0.10
		ANGLE	±2'	UNIT: mm	SCALE: 1:1	PROJ:
		DRAWING NO.		SHEET 1 OF 1		

ECN NO.	REV.	DATE.	DESCRIPTION.	CHANGE.	CHECK.	APPRO.
	A		NEW			