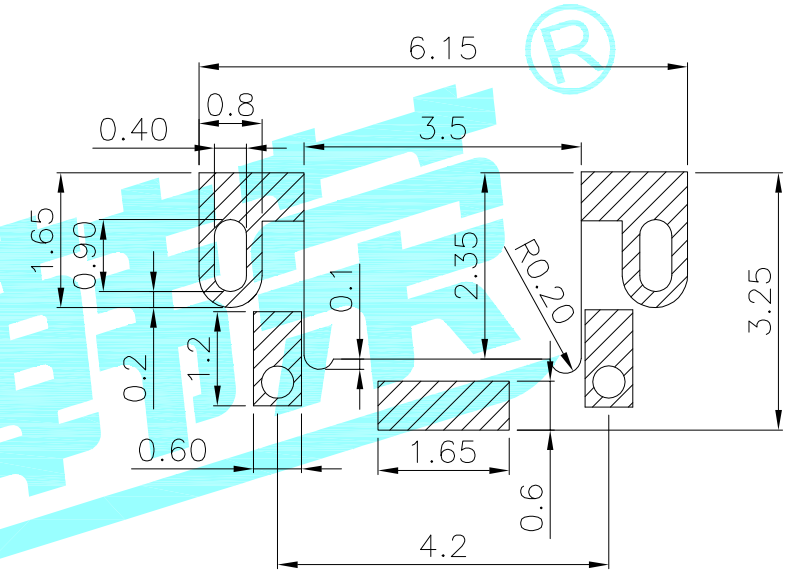
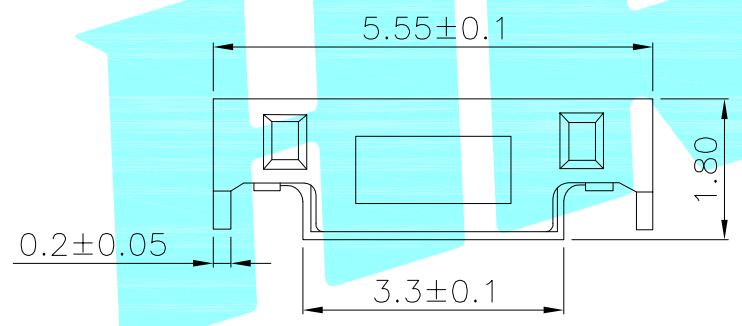


Circuit Diagram



PCB Layout(Pattern Side)



NO.2	
PART NO	vigor
3	180±30
4	250±30

NO.4-NO.5	
PART NO	NOTE
01~99	SERIAL NUMBER

Typical Specifications :  
 1. Rating : DC 12V 50mA  
 2. Life:30,000 Cycles Min.

⑤	Terminal	—	2	Phosphor Bronze	Plating silver	—
④	Contact	—	2	F.Ag/SUS	—	—
③	Base	—	1	LCP	White	UL94V-0
②	Cover	—	1	Phosphor Bronze	Plating Sn	—
①	Keystoke	—	1	LCP	White	UL94V-0
ITEM	PART NAME	TER'NO.	QTY.	MATERIAL	FINISHING	REMARK

APPROVALS		DATE	 ELECTRONICS CO.,LTD			
DRAWN	JKUN.LU	2018/8/1				
CHECKED			TITLE:	TACT SWITCHS		
APPROVALS			PART NO.	K2-1806FN-A□DW-□□		
TOLERANCES ARE	30~以上	±0.30	ANGLE	UNIT: mm	SCALE: 1:1	PROJ:
	10~30	±0.20				
	5~10	±0.15	±2'	DRAWING NO.		SHEET 1 OF 1
	~ 5	±0.10				

—	A	—	NEW	—	—	—
ECN NO.	REV.	DATE.	DESCRIPTION.	CHANGE.	CHECK.	APPRO.