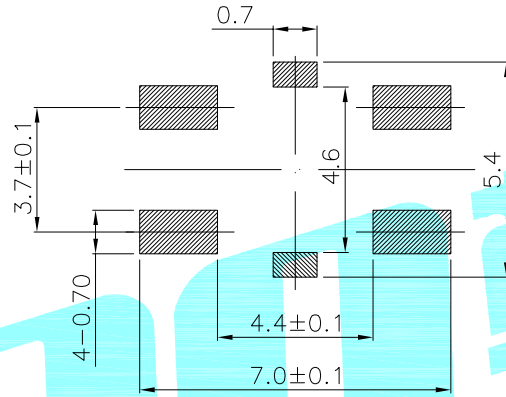
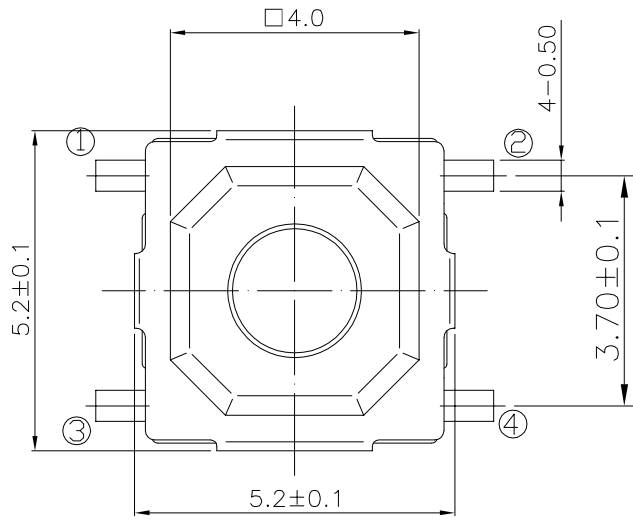
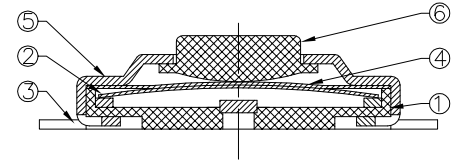


ROHS

Typical Specifications :
 1. Rating : DC 12V 50mA
 2. Life:200,000 Cycles Min.

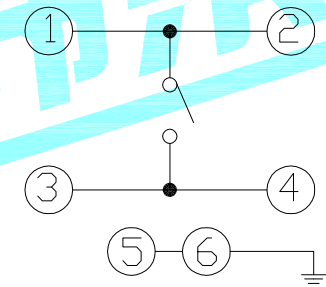


PCB Layout(Pattern side)



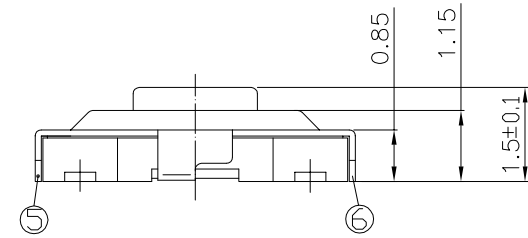
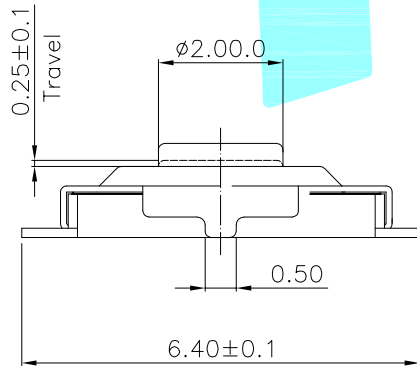
NO.1	
PART NO	H
A	1.50
B	1.60
C	1.70
D	2.00
E	2.50
F	3.00
G	4.30
J	3.50

NO.2	
PART NO	vigor
3	180±30
4	250±30



Circuit Diagram

NO.3-NO.4	
PART NO	NOTE
01~99	SERIAL NUMBER



ITEM	PART NAME	TER'NO.	QTY.	MATERIAL	FINISHING	REMARK
⑥	Knob	—	1	Brass	Yellow	—
⑤	Cover	—	1	SUS	Natural	—
④	Dust Cover	—	1	Kapton Film	Yellow	—
③	Terminal	—	4	Phosphor Bronze	Plating silver	—
②	Contact	—	1	F.Ag/SUS	Natural	—
①	Base	—	1	Nylon	Black	—

APPROVALS		DATE	HROELECTRONICS CO.,LTD			
DRAWN	xu qi feng	2018/08/01	TACT SWITCHS			
CHECKED			PART NO. K2-1187SH-□□SW-□□			
APPROVALS			UNIT: mm	SCALE: 1:1	PROJ:	
TOLERANCES ARE		30~以上 ±0.30	ANGLE	DRAWING NO.	SHEET	1 OF 1
		10~30 ±0.20				
		5~10 ±0.15	±2'			
		~ 5 ±0.10				

ECN NO.	REV.	DATE.	DESCRIPTION.	CHANGE.	CHECK.	APPRO.
—	A	—	NEW	—	—	—