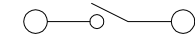
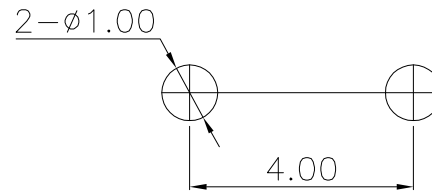
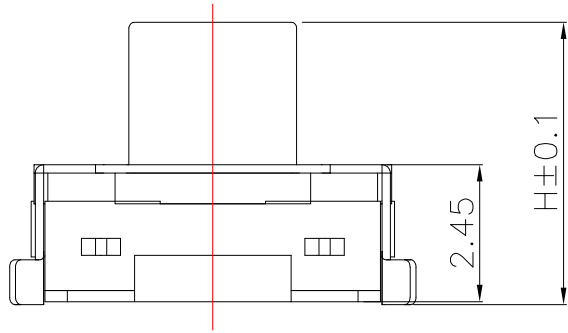


ROHS



Circuit diagram

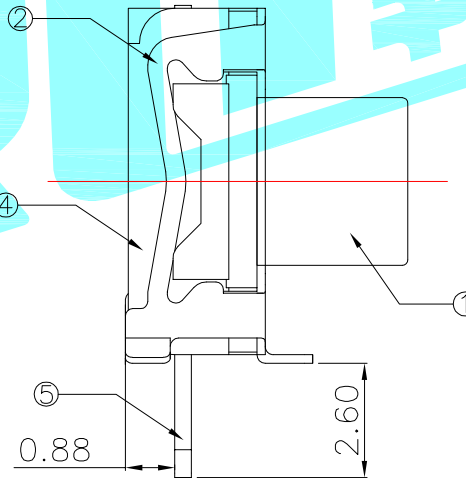
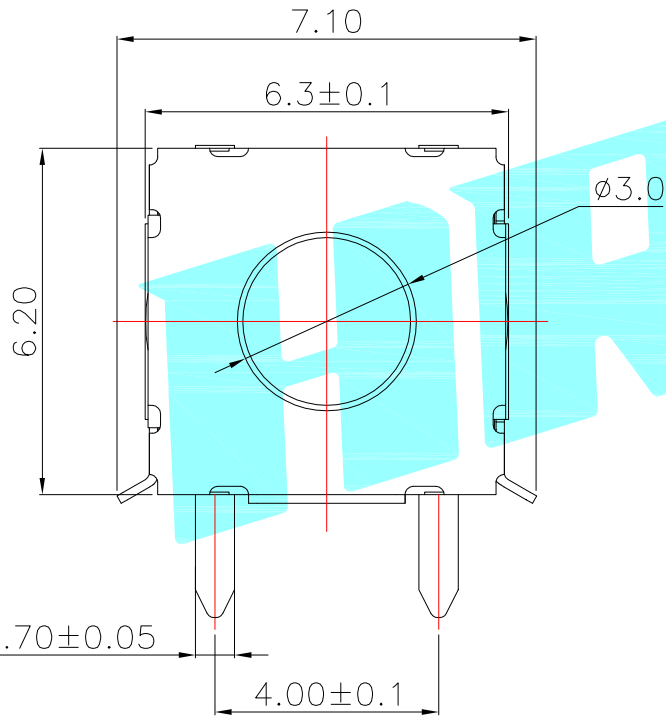
NO.1		
PART NO		H
A		3.5
C		5

PCB Layout(Pattern Side)

NO.2		
PART NO		vigor
3		180±30
4		250±30
5		350±50

NO.3		
PART NO	MATERIAL/QT	
S		SUS/1PC

NO.4-NO.5		
PART NO		NOTE
01~99		SERIAL NUMBER



Typical Specifications :
 1. Rating : DC 12V 50mA
 2. Life:1,000,000 Cycles Min.

⑤	Terminal	—	2	Brass(0.30t)	Plating silver	—
④	Base	—	1	PA6T	Black	—
③	Contact	—	1	F.Ag/SUS	—	—
②	Cover	—	1	SUS	—	—
①	Keystoke	—	1	Silica gel	Blue	—
ITEM	PART NAME	TER'NO.	QTY.	MATERIAL	FINISHING	REMARK

APPROVALS		DATE	HRO 韓榮 ELECTRONICS CO.,LTD			
DRAWN	JKUN.LU	2019/12/6	TITLE:	TACT SWITCHES		
CHECKED			PART NO.	K2-1157DW-□□SW-□□		
APPROVALS			UNIT: mm	SCALE: 1:1	PROJ:	
TOLERANCES ARE		30~以上: ±0.30 10~30: ±0.20 5~10: ±0.15 ~ 5: ±0.10	ANGLE	±2'	DRAWING NO.	SHEET 1 OF 1

ECN NO.	REV	DATE.	DESCRIPTION.	CHANGE.	CHECK.	APPRO.
	A		NEW			