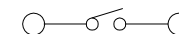
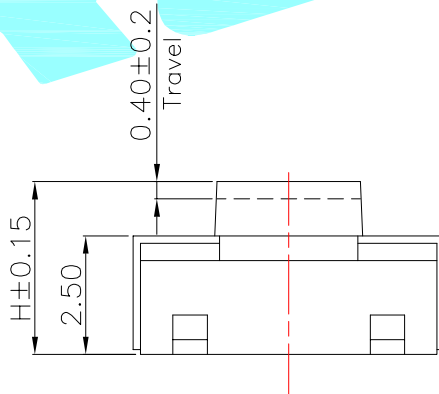
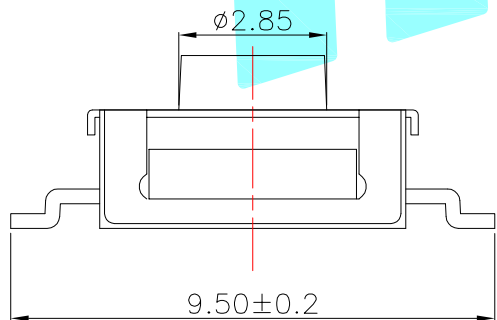


- Typical Specifications :
1. Rating : DC 12V 50mA
 2. Insulation resistance: $\geq 100M\Omega$
 3. Withstand voltage: AC 500V/1min
 4. Life: 300,000 Cycles Min.
 5. Ingress protection: IP67



Circuit Diagram



NO.1	
PART NO	H
C	3.1
D	3.5
A	3.8
G	4.3
B	4.5
M	4.8
N	5.2
E	5.5

NO.2	
PART NO	vigor
3	180±30
4	250±30
5	350±50

NO.3-NO.4	
PART NO	NOTE
01~99	SERIAL NUMBER

⑤	Terminal	—	4	Brass	Plating silver	—
④	Contact	—	1	F.Ag/SUS	—	—
③	Base	—	1	PPA	Black	—
②	Cover	—	1	SPCC	Plating Sn	—
①	Keystoke	—	1	Silica gel	Blue	—
ITEM	PART NAME	TER'NO.	QTY.	MATERIAL	FINISHING	REMARK

APPROVALS		DATE	 ELECTRONICS CO.,LTD				
DRAWN	LIUCAN	2022.3.1	TITLE:	TACT SWITCHS			
CHECKED			PART NO.	K2-1156SP-□□SW-□□			
APPROVALS			TOLERANCES ARE	30~以上 ±0.30 10~30 ±0.20 5~10 ±0.15 ~ 5 ±0.10	ANGLE	±2°	
ECN NO.		REV.	DATE.	DESCRIPTION.	CHANGE.	CHECK.	APPRO.

NEW							
UNIT: mm	SCALE: 1:1	PROJ:	SHEET 1 OF 1				