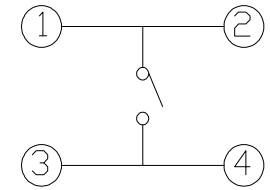
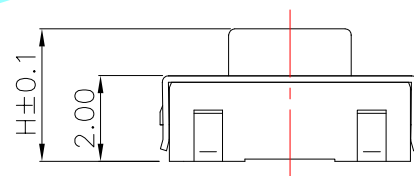
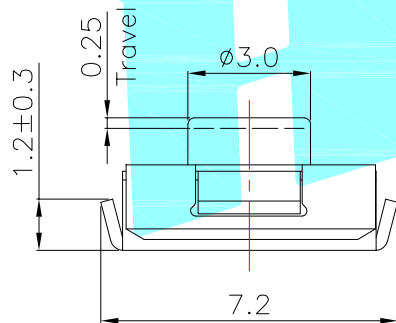


PCB Layout(Pattern side)



Circuit Diagram



NO.1	
PART NO	H
B	2.5
C	3.1
D	3.4
E	5.5
F	5

NO.2	
PART NO	vigor
1	90±30
2	130±30
3	180±30
4	250±30
5	350±50

NO.3-NO.4	
PART NO	NOTE
01~99	SERIAL NUMBER

⑤	Terminal	—	4	Brass(0.3t)	Plating silver	—
④	Contact	—	1	F.Ag/SUS	—	—
③	Base	—	1	PPA	Black	—
②	Cover	—	1	SUS	—	—
①	Keystoke	—	1	PPA	Red	—
ITEM	PART NAME	TER'NO.	QTY.	MATERIAL	FINISHING	REMARK

APPROVALS		DATE	HRCO 睿康® ELECTRONICS CO.,LTD			
DRAWN	LIUCAN	2022.2.17	TITLE:	TACT SWITCHS		
CHECKED			PART NO.	K2-1157UP-□□SW-□□		
APPROVALS			UNIT: mm	SCALE: 1:1	PROJ:	
TOLERANCES ARE		30~以上 ±0.30 10~30 ±0.20 5~10 ±0.15 ~ 5 ±0.10	ANGLE	±2'	DRAWING NO.	SHEET 1 OF 1

ECN NO.	REV.	DATE.	DESCRIPTION.	CHANGE.	CHECK.	APPRO.
	A		NEW			