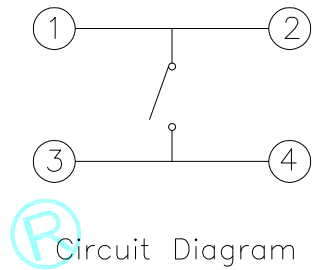
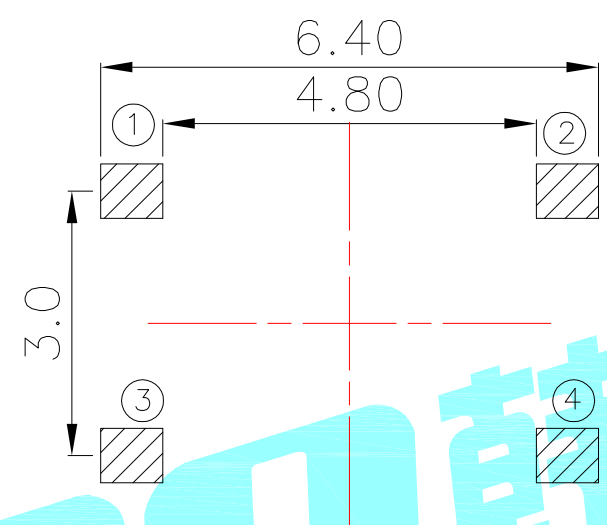
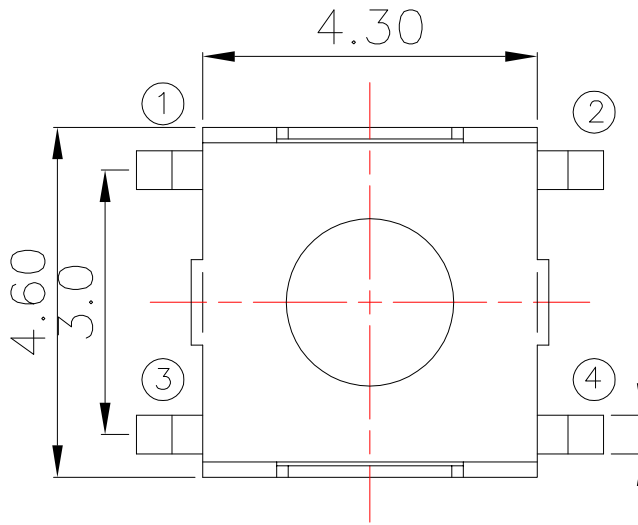
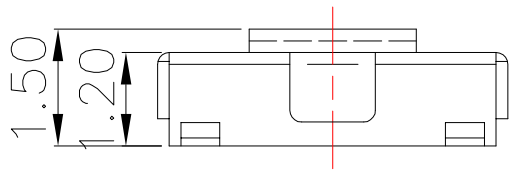
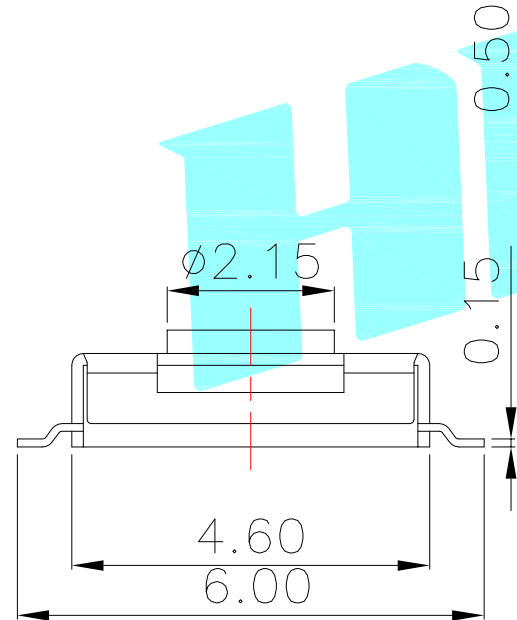


ROHS



(P) Circuit Diagram

PCB Layout



NOTE:
Forcel: 300±50gf
Travel: 0.3±0.1mm

NO.1-NO.2	
PART NO	NOTE
01~99	SERIAL NUMBER

⑤	Terminal	—	4	Brass	Plating silver	—
④	Contact	—	1	F.Ag/SUS	—	—
③	Base	—	1	PPA	Black	—
②	Cover	—	1	SUS	—	—
①	Keystoke	—	1	Silica gel	Blue	—
ITEM	PART NAME	TER'NO.	QTY.	MATERIAL	FINISHING	REMARK

APPROVALS		DATE		 ELECTRONICS CO.,LTD			
DRAWN	LIUCAN	2022.2.17					TITLE:
APPROVALS				PART NO.	K2-1127SP-A5SW-□□		
TOLERANCES ARE		30~以上	±0.30	ANGLE	UNIT: mm	SCALE: 1:1	PROJ:
		10~30	±0.20				
		5~10	±0.15				
		~ 5	±0.10	±2'	DRAWING NO.		SHEET 1 OF 1

_____	A	_____	NEW	_____	_____	_____
ECN NO.	REV.	DATE.	DESCRIPTION.	CHANGE.	CHECK.	APPRO.