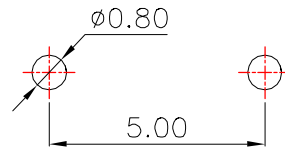
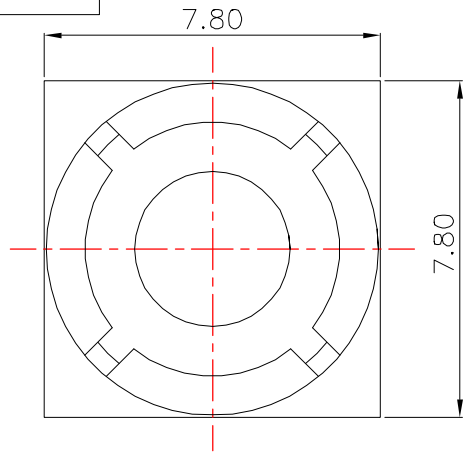
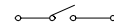
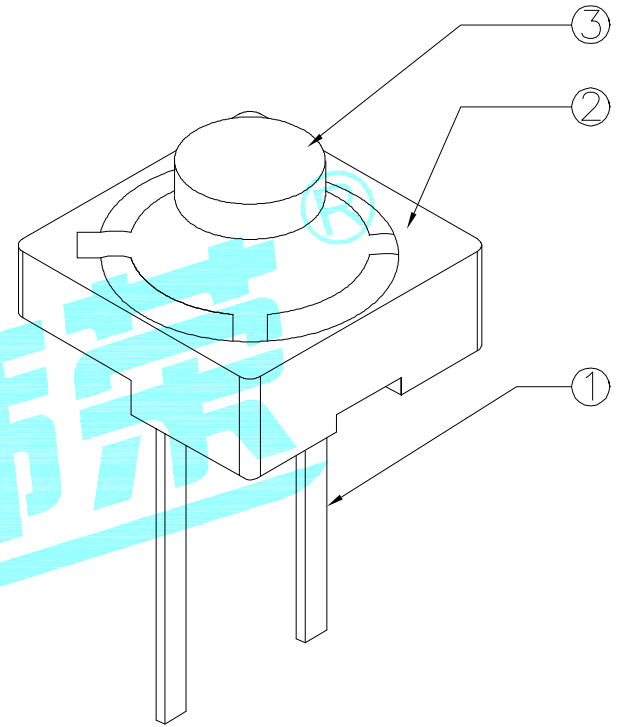
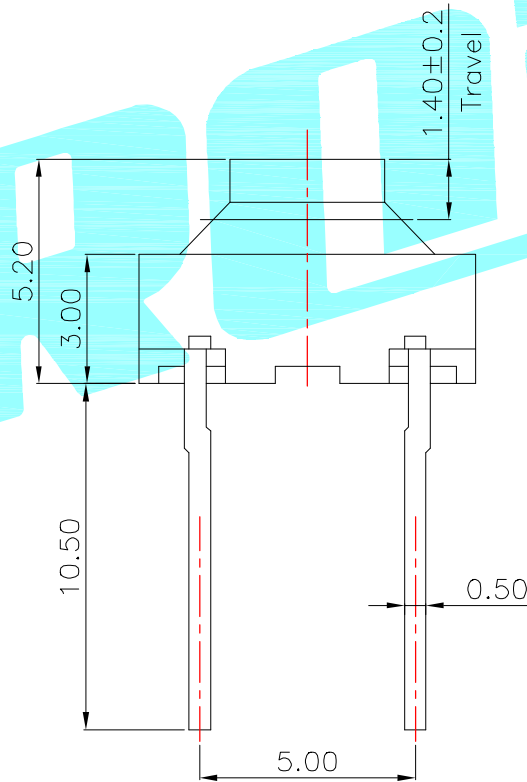
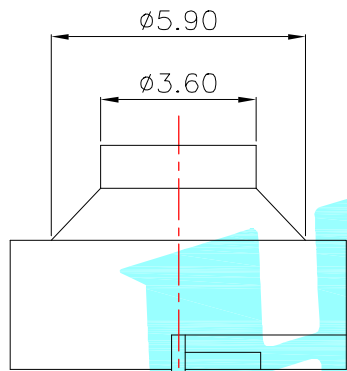


**ROHS**



PCB Layout(Pattern Side)



Circuit Diagram

NO.1	
PART NO	vigor
1	100±30
2	130±30
3	160±30
4	250±30

NO.2-NO.3	
PART NO	NOTE
01~99	SERIAL NUMBER

ITEM	PART NAME	TER'NO.	QTY.	MATERIAL	FINISHING	REMARK
③	Knob	—	1	Silica gel	Gray	—
②	Base	—	1	Nylon	Black	—
①	Terminal	—	4	Phosphor Bronze	Plating silver	—

APPROVALS		DATE	HROELECTRONICS CO.,LTD			
DRAWN	J.X.Zhang	2013/8/24	TITLE: TACT SWITCHS			
CHECKED			PART NO. K2-1117DZ-A□EW-□□			
APPROVALS			UNIT: mm SCALE: 1:1 PROJ:			
TOLERANCES ARE		30~以上 ±0.30	ANGLE	DRAWING NO.		SHEET 1 OF 1
		10~30 ±0.20		SCALE: 1:1		
		5~10 ±0.15	±2'	PROJ:		
		~ 5 ±0.10		SHEET 1 OF 1		

ECN NO.	REV.	DATE.	DESCRIPTION.	CHANGE.	CHECK.	APPRO.
	A		NEW			