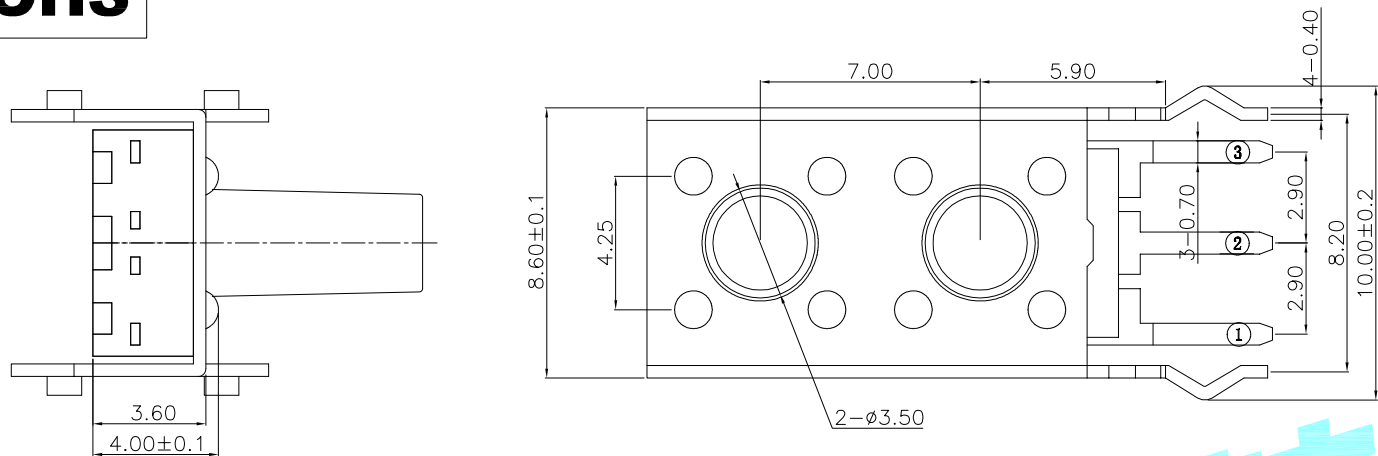
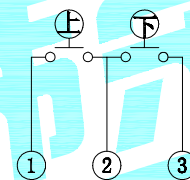
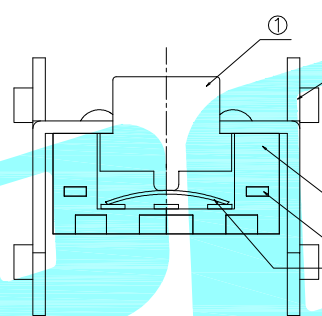
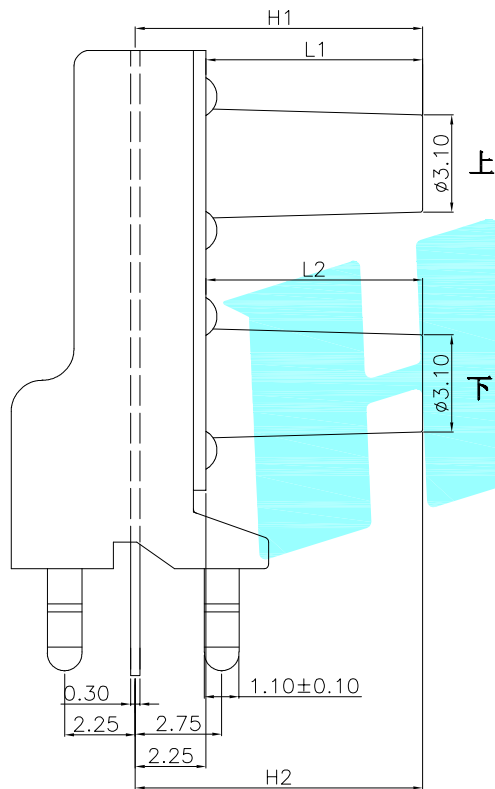


ROHS



NO.1				
PART NO	L1	L2	H1	H2
A: 双联上5下5	1.4	1.4	3.65	3.65
B: 双联上5下10	1.4	6.4	3.65	8.65
C: 双联上7下10.5	3.4	6.9	5.65	9.15
D: 双联上10下5	6.4	1.4	8.65	3.65
E: 双联上10下7	6.4	3.4	8.65	5.65
F: 双联上10下10	6.4	6.4	8.65	8.65
G: 双联上11.5下11.5	7.9	7.9	10.15	10.15
H: 双联上10.5下10.5	6.9	6.9	9.15	9.15
L: 双联上15.5下5	11.9	1.4	14.15	3.65
M: 双联上11.5下17	7.9	13.4	10.15	15.65
N: 双联上17下17	13.4	13.4	15.65	15.65

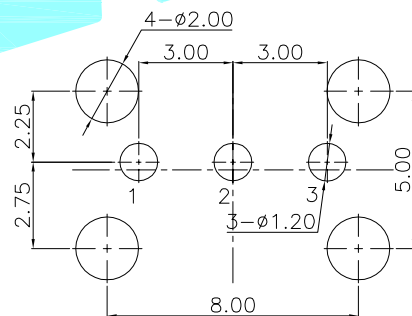


Circuit diagram

NO.2	
PART NO	vigor
3	180±30
4	250±30

NO.3	
PART NO	MATERIAL/QTY
S	SUS/1PC
C	C5210/1PC

NO.4-NO.5	
PART NO	NOTE
01~99	SERIAL NUMBER



PCB Layout(Pattern Side)

Typical Specifications :

1. Rating : DC 12V 50mA
2. Contact Resistance: 50mΩ Max
3. Insulation Resistance: 100MΩ Min.
4. Operation Stroke: 0.2±0.05mm
5. Life:50,000 Cycles Min.

⑤	Terminal	—	3	Brass(0.30t)	Plating silver	—
④	Base	—	1	PPA	Black	—
③	Contact	—	2	Phosphor Bronze	F.Ag	—
②	Cover	—	1	SPCC	Plating Ni	—
①	Keystoke	—	2	PPA	Black	—
ITEM	PART NAME	TER'NO.	QTY.	MATERIAL	FINISHING	REMARK

APPROVALS		DATE		 ELECTRONICS CO.,LTD		
DRAWN	JKUN.LU	2016/6/24		TITLE:	TACT SWITCHS	
CHECKED				PART NO.	K2-1122DQ-□□□W-□□	
APPROVALS				UNIT: mm	SCALE: 1:1	PROJ:
TOLERANCES ARE		30~以上	±0.30	ANGLE	DRAWING NO.	SHEET 1 OF 1
		10~30	±0.20			
		5~10	±0.15			
		~ 5	±0.10			

ECN NO.	REV	DATE.	DESCRIPTION.	CHANGE.	CHECK.	APPRO.
—	A	—	NEW	—	—	—