



TF0215/16

High Speed, Low-Side, Single Gate Driver

Features

- Efficient, low-cost solution for driving MOSFETs and IGBTs
- Wide supply voltage operating range: 4.5V to 18V
- 1.9A source / 1.8A sink output current capability
- Inverting and non-inverting input configurations
- Undervoltage lockout for V_{CC} supply.
- Fast propagation delays (35ns typical)
- Fast rise and fall times (15ns typical)
- Logic input (IN) 3.3V capability
- Space saving SOT23-5L package
- Extended temperature range: -40°C to +125°C

Applications

- Switch mode power supplies
- Motor Drive
- Line Drivers
- DC-DC Converters



SOT-23-5L

Description

The TF0215/16 high speed, low side MOSFET and IGBT drivers are capable of driving 1.9A of peak current. The TF0215/16 logic inputs are compatible with standard TTL and CMOS levels (down to 3.3V) to interface easily with MCUs. Internal undervoltage lockout (UVLO) will protect MOSFET with loss of supply by turning off the output when V_{CC} falls below operating range. Fast and well matched propagation delays allow high speed operation, enabling a smaller, more compact power switching design using smaller associated components.

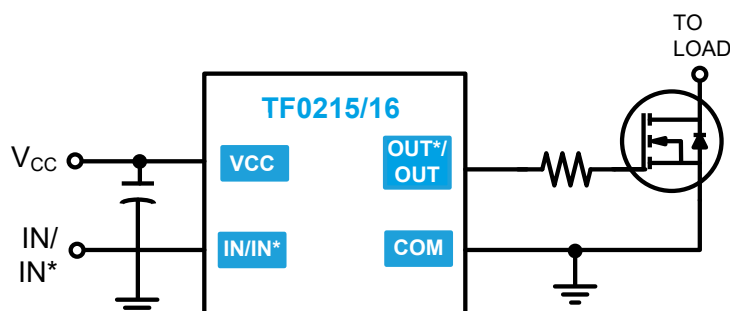
These devices are highly resistant to noise by being able to withstand up to 5V positive or negative on the ground pin without damage. Also they can accept 500mA of reverse current forced back into its outputs without damage or logic change. The TF0215 provides an inverted output and the TF0216 provides a noninverting output. The TF0215/16 comes in a space-saving SOT23-5L package and it operates over an extended -40 °C to +125 °C temperature range.

Ordering Information

Year Year Week Week

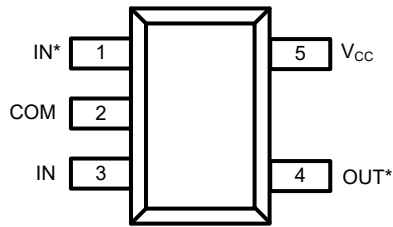
PART NUMBER	PACKAGE	PACK / Qty	MARK
TF0215-USQ	SOT-23-5L	T&R / 3,000	T0215/16
TF0216-USQ	SOT-23-5L	T&R / 3,000	YYWW

Typical Application



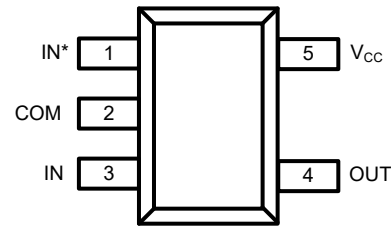


Pin Diagrams



TF0215

Top View: SOT23-5L

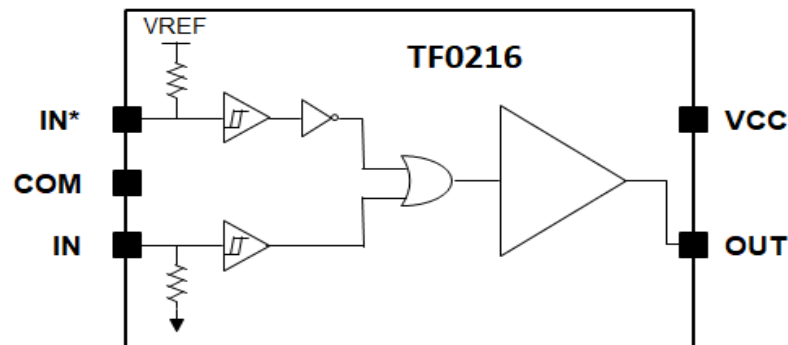
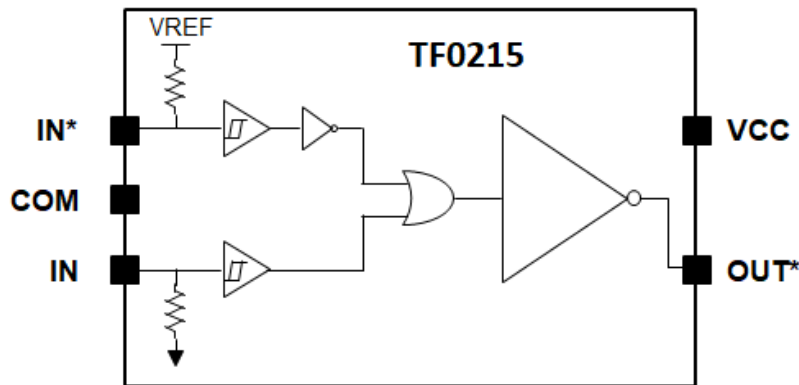


TF0216

Pin Descriptions

PIN NAME	PIN NUMBER	PIN DESCRIPTION
IN*	1	Logic input, in phase with OUT* (TF0215), out of phase with OUT (TF0216), leave open when not in use.
COM	2	Supply return
IN	3	Logic input, out of phase with OUT* (TF0215), in phase with OUT (TF0216), leave open when not in use.
OUT*/OUT	4	Gate drive output
V _{CC}	5	Supply input

Functional Block Diagram





Absolute Maximum Ratings (NOTE1)

V_{CC} - Low-side fixed supply voltage.....	-0.3V to +22V
V_{OUT} - Output voltage (OUT/OUT*).....	-0.3V to V_{CC} +0.3V
V_{IN} - Logic input voltage (IN).....	-5V to V_{CC} +0.3V
ESD Protection on all pins.....	2kV (HBM) 400V (MM)

NOTE1 Stresses beyond those listed under "Absolute Maximum Ratings" may cause permanent damage to the device. These are stress ratings only, and functional operation of the device at these or any other conditions beyond those indicated in the operational sections of the specifications is not implied. Exposure to absolute maximum rating conditions for extended periods may affect device reliability.

P_D - Package power dissipation at $T_A \leq 25^\circ\text{C}$	
SOT23-5L.....	TBD
SOT23-5L Thermal Resistance (NOTE2)	
θ_{JA}	TBD $^\circ\text{C}/\text{W}$
θ_{JC}	TBD $^\circ\text{C}/\text{W}$
T_J - Junction operating temperature.....	+150 $^\circ\text{C}$
T_L - Lead Temperature (soldering, 10 seconds).....	+300 $^\circ\text{C}$
T_{stg} - Storage temperature	-55 to 150 $^\circ\text{C}$

NOTE2 When mounted on a standard JEDEC 2-layer FR-4 board.

Recommended Operating Conditions

Symbol	Parameter	MIN	MAX	Unit
V_{CC}	Supply voltage	4.5	18	V
V_{OUT}	Output voltage (OUT/OUT*)	0	V_{CC}	V
V_{IN}	Logic input voltage (IN)	0	5	V
T_A	Ambient temperature	-40	125	$^\circ\text{C}$



Electrical Characteristics (NOTE3)

V_{BIAS} (4.5V < V_{CC} < 18V), $T_A = 25\text{ }^\circ\text{C}$, unless otherwise specified.

Symbol	Parameter	Conditions	MIN	TYP	MAX	Unit
DC Characteristics						
V_{IH}	Logic "1" input voltage		2.4	1.6		V
V_{IL}	Logic "0" input voltage			1.3	0.8	
I_{IN+}	Logic "1" input bias current	$V_{IN} = 3V, V_{IN*} = 0V$			5	μA
I_{IN-}	Logic "0" input bias current	$V_{IN} = 0V, V_{IN*} = 3V$			2	
V_{OH}	High level output voltage, $V_{BIAS} - V_O$			25		mV
V_{OL}	Low level output voltage			25		
I_{CCQ}	V_{CC} quiescent supply current	$V_{IN} = 0V$ or $3V$		50	100	μA
I_{O+}	Output high short circuit pulsed current	$V_{CC} = 12V$		1.9		A
I_{O-}	Output low short circuit pulsed current	$V_{CC} = 12V$		1.8		
R_{OH}	Output Resistance, High	$I_{OUT} = 10\text{mA}, V_{CC} = 12V$		3.3		Ω
R_{OL}	Output Resistance, Low	$I_{OUT} = 10\text{mA}, V_{CC} = 12V$		2.3		Ω
Switching Characteristics						
t_r	Turn-on rise time	$C_L = 1000\text{pF}, V_{CC} = 12V$		15	25	ns
t_f	Turn-off fall time	$C_L = 1000\text{pF}, V_{CC} = 12V$		15	25	ns
t_{on}	Turn-on propagation delay	$V_{CC} = 12V$		35	50	ns
t_{off}	Turn-off propagation delay	$V_{CC} = 12V$		35	55	ns

NOTE3 The V_{IN} and I_{IN} parameters are applicable to the logic input pin: IN. The V_O and I_O parameters are applicable to the output pins: OUT and OUT*



Electrical Characteristics (over operating temperature range)

V_{BIAS} (4.5V < V_{CC} < 18V), $-40^{\circ}\text{C} < T_C < 125^{\circ}\text{C}$, unless otherwise specified.

Symbol	Parameter	Conditions	MIN	TYP	MAX	Unit
DC Characteristics						
V_{IH}	Logic "1" input voltage		2.4			V
V_{IL}	Logic "0" input voltage				0.8	
I_{IN+}	Logic "1" input bias current	$V_{IN} = 3V$			10	μA
I_{IN-}	Logic "0" input bias current	$V_{IN} = 0V$		0	5	
V_{OH}	High level output voltage, $V_{BIAS} - V_O$			25		mV
V_{OL}	Low level output voltage			25		
I_{CCQ}	V_{CC} quiescent supply current	$V_{IN} = 0V$ or $3V$		0.1	0.2	mA
R_{OH}	Output Resistance, High	$I_{OUT} = 10\text{mA}$, $V_{CC} = 12V$			10	Ω
R_{OL}	Output Resistance, Low	$I_{OUT} = 10\text{mA}$, $V_{CC} = 12V$			7	Ω
Switching Characteristics						
t_r	Turn-on rise time	$C_L = 1000\text{pF}$, $V_{CC} = 12V$		30	40	ns
t_f	Turn-off fall time	$C_L = 1000\text{pF}$, $V_{CC} = 12V$		30	40	ns
t_{on}	Turn-on propagation delay	$V_{CC} = 12V$		45	55	ns
t_{off}	Turn-off propagation delay	$V_{CC} = 12V$		50	60	ns

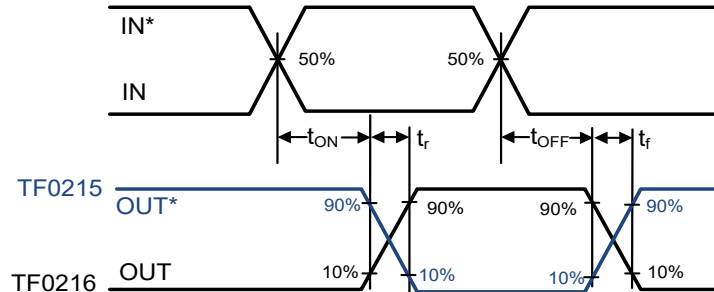


Figure 1. Switching Time Waveform Definitions

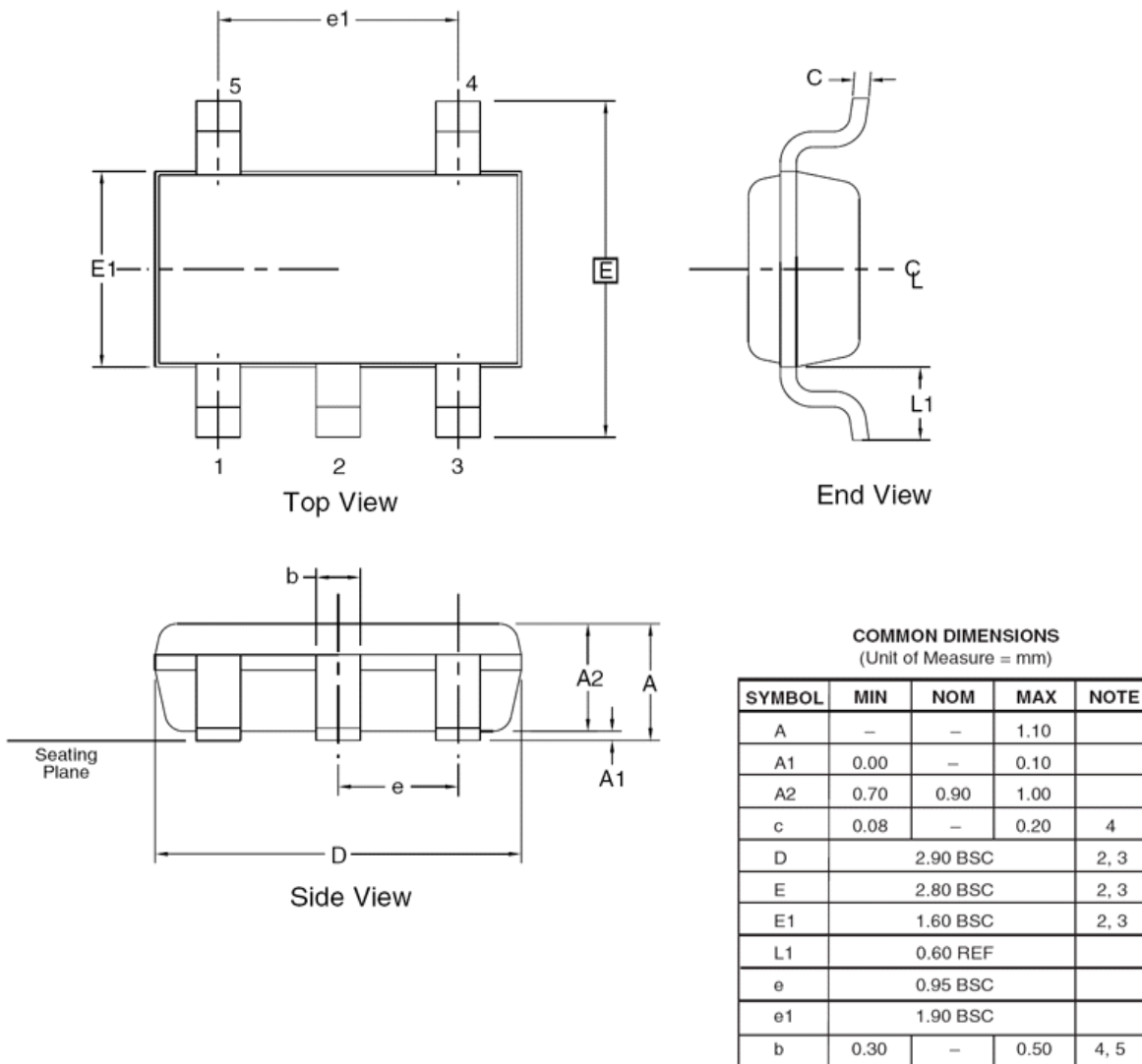
Input/Output response table

Input pin	Input logic	TF0215 (OUT*)	TF0216 (OUT)
IN	H	L	H
IN	L	H	L
IN*	H	H	L
IN*	L	L	H



Package Dimensions (SOT23-5L)

Please contact support@tfsemi.com for package availability.





Revision History

Rev.	Change	Owner	Date
1.0	First release	Keith Spaulding	6/21/2017
1.1	Specs adjusted from pre production testing	Keith Spaulding	2/8/2018
1.2	Add Order Information	Duke Walton	12/15/2020

Important Notice

TF Semiconductor Solutions (TFSS) PRODUCTS ARE NEITHER DESIGNED NOR INTENDED FOR USE IN MILITARY AND/OR AEROSPACE, AUTOMOTIVE OR MEDICAL DEVICES OR SYSTEMS UNLESS THE SPECIFIC TFSS PRODUCTS ARE SPECIFICALLY DESIGNATED BY TFSS FOR SUCH USE. BUYERS ACKNOWLEDGE AND AGREE THAT ANY SUCH USE OF TFSS PRODUCTS WHICH TFSS HAS NOT DESIGNATED FOR USE IN MILITARY AND/OR AEROSPACE, AUTOMOTIVE OR MEDICAL DEVICES OR SYSTEMS IS SOLELY AT THE BUYER'S RISK.

TFSS assumes no liability for application assistance or customer product design. Customers are responsible for their products and applications using TFSS products.

Resale of TFSS products or services with statements different from or beyond the parameters stated by TFSS for that product or service voids all express and any implied warranties for the associated TFSS product or service. TFSS is not responsible or liable for any such statements.

©2020 TFSS. All Rights Reserved. Information and data in this document are owned by TFSS wholly and may not be edited, reproduced, or redistributed in any way without the express written consent from TFSS.

For additional information please contact support@tfsemi.com or visit www.tfsemi.com.