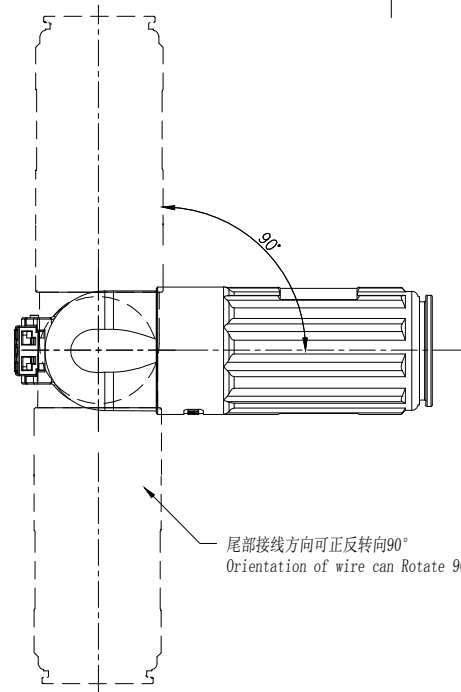


THIS DRAWING IS SUPPLIED FOR INFORMATION ONLY. DESIGN FEATURES, SPECIFICATIONS AND PERFORMANCE DATA SHOWN HEREON ARE THE PROPERTY OF THE AMPHENOL CORPORATION. NO RIGHTS OF REPRODUCTION ARE IMPLIED. ALL DIMENSIONS ARE SUBJECT TO NORMAL MANUFACTURING VARIATIONS.

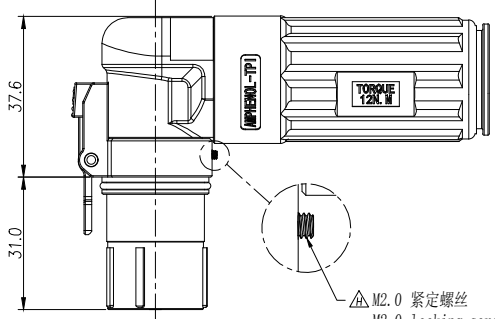
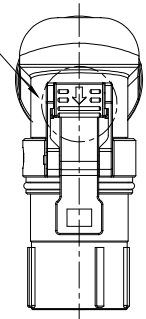
Customer Drawing

订购信息 Ordering Information

PL28 X - 30 1 - 70	
键位及颜色 Key & Color	高压互锁 HVIL
"X", 橙色 Orange	0, 不带互锁 No HVIL
"Y", 黑色 Black	1, 带互锁 With HVIL
"U", 黄色 Yellow	线缆大小 Cable Size
"V", 绿色 Green	"70"=70mm ²
"W", 红色 Red	"50"=50mm ²
"T", 蓝色 Blue	"35"=35mm ²

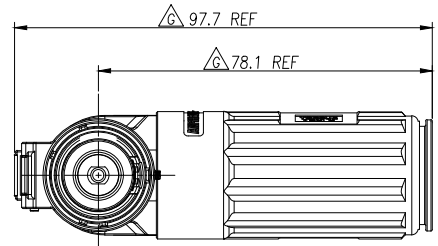


按键颜色见“订购信息”
The color of press key see “Ordering Information”

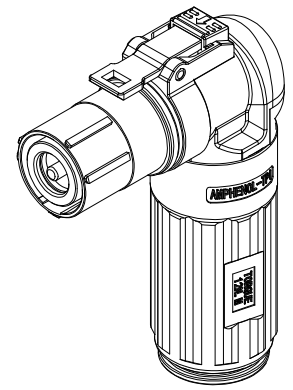


规格参数 (Spec.):

1. 工作温度 Operating temperature: -40° C~+125° C.
2. 额定电流 Current rating (Connector Only):
35mm²:150A; 50mm²:200A; 70mm²:250A .
3. 额定电压 Operating voltage:1000 VDC.
4. 耐电压 Dielectric withstanding voltage: 5000 VDC.
5. 防护等级 Protection class:IP67 & IP2X.
6. 电磁屏蔽 Shielding.
7. 机械寿命 Mating cycle:100 Min.
8. 带自动二次锁扣 Automatic secondary lock.
9. 尾部接线方向可正反转向90° Rotate function of wire.
10. 带高压互锁 Electrical interlock (HVIL).
11. 配对插座 Mating receptacle : See drawing "PL00-300"
12. 紧固螺丝锁紧扭矩 Tightening Torque of Locking Screw: 0.17 Nm



REVISIONS						
REV	ZONE	ECO	DESCRIPTION	DATE	BY	APPR
A	--	--	Add P/N List	06/20/14	RW	EC
F	--	--	The Locking Screw Change from M2.5 to M2.0	03/25/16	RW	GX
G	--	--	Change back shell	09/29/16	RW	TS
H	--	--	Add Locking Screw Assembly Torque	10/28/16	SW	RW
I	--	--	Add rotting current	08/21/18	Fred	JL



P/N	Model NO.	Accepted Wire OD
AC-HA000845	PL28X-301-35	14.5±0.5
AC-HA000846	PL28Y-301-35	
AC-HA000847	PL28U-301-35	
AC-HA000848	PL28V-301-35	
AC-HA000849	PL28W-301-35	
AC-HA001289	PL28T-301-35	17.0±0.5
AC-HA000850	PL28X-301-50	
AC-HA000851	PL28Y-301-50	
AC-HA000852	PL28U-301-50	
AC-HA000853	PL28V-301-50	
AC-HA000854	PL28W-301-50	19.5±0.5
AC-HA001290	PL28T-301-50	
AC-HA000855	PL28X-301-70	
AC-HA000856	PL28Y-301-70	
AC-HA000857	PL28U-301-70	
AC-HA000858	PL28V-301-70	19.5±0.5
AC-HA000859	PL28W-301-70	
AC-HA001291	PL28T-301-70	

P/N	Model NO.	Accepted Wire OD
AC-HA000860	PL28X-300-35	14.5±0.5
AC-HA000861	PL28Y-300-35	
AC-HA000862	PL28U-300-35	
AC-HA000863	PL28V-300-35	
AC-HA000864	PL28W-300-35	
AC-HA001292	PL28T-300-35	17.0±0.5
AC-HA000865	PL28X-300-50	
AC-HA000866	PL28Y-300-50	
AC-HA000867	PL28U-300-50	
AC-HA000868	PL28V-300-50	
AC-HA000869	PL28W-300-50	19.5±0.5
AC-HA003528	PL28T-300-50	
AC-HA000870	PL28X-300-70	
AC-HA000871	PL28Y-300-70	
AC-HA000872	PL28U-300-70	
AC-HA000873	PL28V-300-70	19.5±0.5
AC-HA000874	PL28W-300-70	
AC-HA003529	PL28T-300-70	

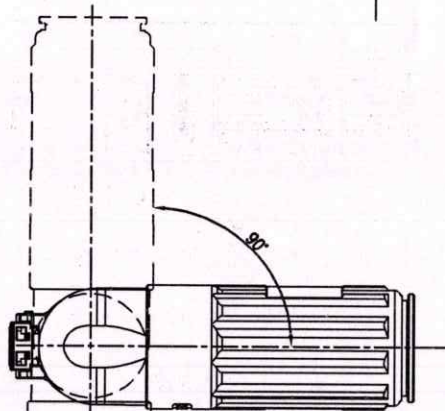
	Amphenol Technical Products International GZ				
	第三角投影 THIRD ANGLE PROJECTION	页面 SHEET	幅面 SIZE	版次 REV.	比例 SCALE
签名 SIGNATURE Fred		日期 DATE 08/21/18		UNLESS OTHERWISE SPECIFIED 1) All dimensions are in metric(mm). 2) Tolerances are as follows: 0 PL DEC ±1.00 1 PL DEC ±0.50 2 PL DEC ±0.20	
制图 DRAWN	审核 CHECKED	批准 APPROVAL	DWG NO: PL28-300		
			CUST PART #: N/A		CUST REV. -

THIS DRAWING IS SUPPLIED FOR INFORMATION ONLY. DESIGN FEATURES, SPECIFICATIONS AND PERFORMANCE DATA SHOWN HEREON ARE THE PROPERTY OF THE AMPHENOL CORPORATION. NO RIGHTS OF REPRODUCTION ARE IMPLIED. ALL DIMENSIONS ARE SUBJECT TO NORMAL MANUFACTURING VARIATIONS.

Customer Drawing

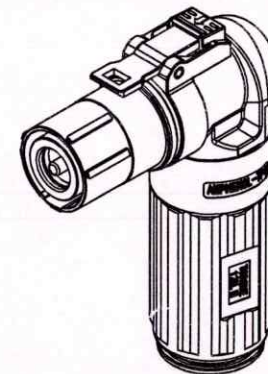
订购信息 Ordering Information

PL28 X - 30 1 - 70		
键位及颜色 Key & Color	高压互锁 HVIL	线缆大小 Cable Size
"X", 橙色 Orange	0, 不带互锁 No HVIL	"70"=70mm ²
"Y", 黑色 Black	1, 带互锁 With HVIL	"50"=50mm ²
"U", 黄色 Yellow		"35"=35mm ²
"V", 绿色 Green		
"W", 红色 Red		
"T", 蓝色 Blue		

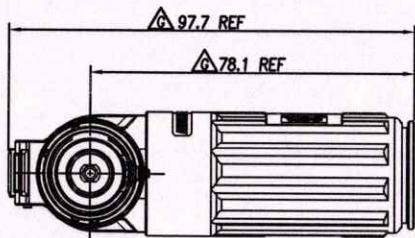
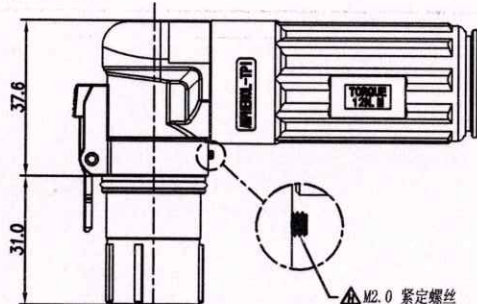
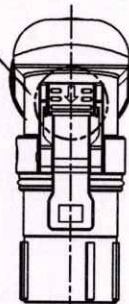


尾部接线方向可正反向90°
Orientation of wire can Rotate 90 Degrees

Amphenol TPI
2018-08-22
REGISTERED COPY



按键颜色见“订购信息”
The color of press key see "Ordering Information"



规格参数 (Spec.):

- 工作温度 Operating temperature: -40° C~+125° C.
- 额定电流 Current rating (Connector Only):
35mm²:150A; 50mm²:200A; 70mm²:250A.
- 额定电压 Operating voltage:1000 VDC.
- 耐电压 Dielectric withstanding voltage: 5000 VDC.
- 防护等级 Protection class:IP67 & IP2X.
- 电磁屏蔽 Shielding.
- 机械寿命 Mating cycle:100 Min.
- 带自动二次锁扣 Automatic secondary lock.
- 尾部接线方向可正反向90° Rotate function of wire.
- 带高压互锁 Electrical interlock (HVIL).
- 配对插座 Mating receptacle : See drawing "PL00-300"
- 紧定螺丝锁紧扭矩 Tightening Torque of Locking Screw: 0.17 Nm

REVISIONS						
REV	ZONE	ECO	DESCRIPTION	DATE	BY	APPR
A	---	---	Add P/N List	06/20/14	RW	EC
F	---	---	The Locking Screw Change from M2.5 to M2.0	03/25/16	RW	GX
G	---	---	Change back shell	08/29/16	RW	TS
H	---	---	Add Locking Screw Assembly Torque	10/28/16	SW	RW
I	---	---	Add rolling current	08/21/18	Fred	JL

P/N	Model NO.	Accepted Wire OD
AC-HA000845	PL28X-301-35	14.5±0.5
AC-HA000846	PL28Y-301-35	
AC-HA000847	PL28U-301-35	
AC-HA000848	PL28V-301-35	
AC-HA000849	PL28W-301-35	
AC-HA001289	PL28T-301-35	
AC-HA000850	PL28X-301-50	17.0±0.5
AC-HA000851	PL28Y-301-50	
AC-HA000852	PL28U-301-50	
AC-HA000853	PL28V-301-50	
AC-HA000854	PL28W-301-50	
AC-HA001290	PL28T-301-50	
AC-HA000855	PL28X-301-70	19.5±0.5
AC-HA000856	PL28Y-301-70	
AC-HA000857	PL28U-301-70	
AC-HA000858	PL28V-301-70	
AC-HA000859	PL28W-301-70	
AC-HA001291	PL28T-301-70	

P/N	Model NO.	Accepted Wire OD
AC-HA000860	PL28X-300-35	14.5±0.5
AC-HA000861	PL28Y-300-35	
AC-HA000862	PL28U-300-35	
AC-HA000863	PL28V-300-35	
AC-HA000864	PL28W-300-35	
AC-HA001292	PL28T-300-35	
AC-HA000865	PL28X-300-50	17.0±0.5
AC-HA000866	PL28Y-300-50	
AC-HA000867	PL28U-300-50	
AC-HA000868	PL28V-300-50	
AC-HA000869	PL28W-300-50	
AC-HA003528	PL28T-300-50	
AC-HA000870	PL28X-300-70	19.5±0.5
AC-HA000871	PL28Y-300-70	
AC-HA000872	PL28U-300-70	
AC-HA000873	PL28V-300-70	
AC-HA000874	PL28W-300-70	
AC-HA003529	PL28T-300-70	

		Amphenol Technical Products International GZ				PART NAME	
		第三角投影 THIRD ANGLE PROJECTION	页码 SHEET	幅面 SIZE	版次 REV.	比例 SCALE	PartLok 10mm-90 1POS Plug Assy
签名 SIGNATURE		日期 DATE		UNLESS OTHERWISE SPECIFIED		PART NO.	
制图 DRAWN		08/21/18		1) All dimensions are in metric(mm).		PL28-300	
审核 CHECKED		Steven		2) Tolerances are as follows:		CUSTOMER PART #	
批准 APPROVAL		Fred		0 PL DEC ±1.00		N/A	
				1 PL DEC ±0.50		CUSTOMER REV.	
				2 PL DEC ±0.20		-	
				Angles ±1°			