



REALTEK

NOT FOR PUBLIC RELEASE

RTL8306M-CG

SINGLE-CHIP 6-PORT 10/100MBPS ETHERNET SWITCH CONTROLLER WITH MII/RMII INTERFACE

DATASHEET

(CONFIDENTIAL: Development Partners Only)

Rev. 1.2

09 May 2012

Track ID: JATR-3375-16



Realtek Semiconductor Corp.

No. 2, Innovation Road II, Hsinchu Science Park, Hsinchu 300, Taiwan

Tel.: +886-3-578-0211. Fax: +886-3-577-6047

www.realtek.com

COPYRIGHT

©2012 Realtek Semiconductor Corp. All rights reserved. No part of this document may be reproduced, transmitted, transcribed, stored in a retrieval system, or translated into any language in any form or by any means without the written permission of Realtek Semiconductor Corp.

DISCLAIMER

Realtek provides this document ‘as is’, without warranty of any kind. Realtek may make improvements and/or changes in this document or in the product described in this document at any time. This document could include technical inaccuracies or typographical errors.

TRADEMARKS

Realtek is a trademark of Realtek Semiconductor Corporation. Other names mentioned in this document are trademarks/registered trademarks of their respective owners.

USING THIS DOCUMENT

This document is intended for the software engineer’s reference and provides detailed programming information.

Though every effort has been made to ensure that this document is current and accurate, more information may have become available subsequent to the production of this guide.

REVISION HISTORY

Revision	Release Date	Summary
1.0	2010/08/05	First release.
1.1	2010/11/03	Revised Table 69 MII/TMII/RMII/SMI Timing, page 89.
1.2	2012/05/09	Revised section 7.3.4 Serial EEPROM Example: 24LC01/02/04 & 24C01/02/04, page 24. Revised section 7.3.12 Crystal/Oscillator, page 31. Added section 10.5.3 EEPROM Auto-Load Timing, page 90.

Table of Contents

1. GENERAL DESCRIPTION	1
2. FEATURES	3
3. SYSTEM APPLICATIONS	4
4. BLOCK DIAGRAM	5
5. PIN ASSIGNMENTS	6
5.1. PIN ASSIGNMENTS DIAGRAM.....	6
5.2. PACKAGE IDENTIFICATION.....	6
5.3. PIN ASSIGNMENTS TABLE.....	7
6. PIN DESCRIPTIONS	8
6.1. MEDIA CONNECTION PINS	8
6.2. MODE CONFIGURATION PINS	8
6.3. PORT5 MAC CIRCUIT INTERFACE PINS.....	9
6.4. MISCELLANEOUS PINS	12
6.5. PORT LED PINS	12
6.6. SERIAL EEPROM AND SMI PINS	13
6.7. STRAPPING PINS.....	13
6.8. PORT STATUS STRAPPING PINS	14
6.9. POWER PINS.....	14
7. BASIC FUNCTIONAL DESCRIPTION	15
7.1. SWITCH CORE FUNCTION OVERVIEW.....	15
7.1.1. MII/RMII	15
7.1.1.1 Description.....	15
7.1.1.2 MII/RMII Mode Configuration.....	16
7.1.1.3 Port5 (6 th MAC) Status Configuration	16
7.1.2. Port0, 1, 2, 3 Status Configuration.....	16
7.1.3. Flow Control	17
7.1.3.1 IEEE 802.3x Full Duplex Flow Control.....	17
7.1.3.2 Force Mode Full Duplex Flow Control.....	17
7.1.3.3 Half Duplex Back Pressure	17
7.1.3.4 NWay Mode.....	17
7.1.3.5 Force Mode.....	17
7.1.4. Address Search, Learning, and Aging	18
7.1.5. Half Duplex Operation	18
7.1.6. InterFrame Gap.....	18
7.1.7. Illegal Frame.....	18
7.2. PHYSICAL LAYER FUNCTIONAL OVERVIEW	19
7.2.1. Auto-Negotiation for UTP.....	19
7.2.2. 10Base-T Transmit Function.....	19
7.2.3. 10Base-T Receive Function.....	19
7.2.4. Link Monitor.....	19
7.2.5. 100Base-TX Transmit Function.....	19
7.2.6. 100Base-TX Receive Function.....	19
7.2.7. Power-Down Mode.....	20
7.2.8. Crossover Detection and Auto Correction	20
7.2.9. Polarity Detection and Correction	20
7.3. GENERAL FUNCTION OVERVIEW.....	21
7.3.1. Power-on Sequence	21
7.3.2. Reset.....	22

7.3.3.	<i>Setup and Configuration</i>	23
7.3.4.	<i>Serial EEPROM Example: 24LC01/02/04 & 24C01/02/04</i>	24
7.3.4.1	24LC01/02/04 & 24C01/02/04 Device Operation	24
7.3.4.2	EEPROM Size Selection.....	26
7.3.5.	<i>SMI</i>	26
7.3.6.	<i>Head-Of-Line Blocking</i>	27
7.3.7.	<i>Filtering/Forwarding Reserved Control Frame</i>	27
7.3.8.	<i>Loop Detection</i>	27
7.3.9.	<i>MAC Local Loopback Return to External</i>	29
7.3.10.	<i>Reg.0.14 PHY Digital Loopback Return to Internal</i>	30
7.3.11.	<i>1.8V Power Generation</i>	30
7.3.12.	<i>Crystal/Oscillator</i>	31
8.	ADVANCED FUNCTION DESCRIPTION	32
8.1.	ACL FUNCTION	32
8.2.	MAC LIMIT	33
8.3.	PORT ISOLATION	33
8.4.	VLAN FUNCTION	33
8.4.1.	<i>Description</i>	33
8.4.2.	<i>Port-Based VLAN</i>	35
8.4.3.	<i>IEEE 802.1Q Tagged-VID Based VLAN</i>	37
8.4.4.	<i>Insert/Remove/Replace Tag</i>	38
8.4.5.	<i>VLAN Translation</i>	38
8.4.6.	<i>QinQ Function</i>	38
8.4.7.	<i>Ingress and Egress Rules</i>	38
8.5.	IEEE 802.1P REMARKING FUNCTION.....	39
8.6.	QOS FUNCTION.....	40
8.6.1.	<i>Bandwidth Control</i>	40
8.6.1.1	Introduction.....	40
8.6.1.2	Input (RX) Bandwidth Control	41
8.6.2.	<i>Priority Assignment</i>	41
8.6.2.1	Queue Number Selection	42
8.6.2.2	Port-Based Priority Assignment.....	42
8.6.2.3	IEEE 802.1p/Q-Based Priority Assignment.....	42
8.6.2.4	DSCP-Based Priority Assignment	42
8.6.2.5	12-Bit VLAN ID Priority.....	42
8.6.2.6	IP Address-Based Priority.....	43
8.6.2.7	IGMP/MLD-Based Priority	43
8.6.2.8	CPU Tag-Based Priority	43
8.6.2.9	ACL-Based Priority Assignment	43
8.6.2.10	Packet Priority Selection.....	43
8.7.	LOOKUP TABLE FUNCTION	45
8.7.1.	<i>Function Description</i>	45
8.7.2.	<i>Address Search, Learning, and Aging</i>	45
8.7.3.	<i>Lookup and CAM Table Definition</i>	47
8.7.3.1	Lookup Table Access.....	47
8.7.3.2	Least Recently Used (LRU) Function Description	47
8.8.	MIBS FUNCTION.....	48
8.8.1.	<i>MIB Counter Description</i>	48
8.8.2.	<i>MIB Counter Enable/Clear</i>	48
8.8.3.	<i>MIB Counter Timeout</i>	49
8.9.	STORM FILTER FUNCTION	49
8.9.1.	<i>Definition</i>	49
8.9.2.	<i>Type 1 Storm Filter</i>	49
8.9.3.	<i>Type 2 Storm Filter</i>	50
8.10.	CPU INTERRUPT FUNCTION	51

8.11.	IGMP & MLD SNOOPING FUNCTION.....	52
8.12.	CPU TAG FUNCTION.....	53
8.13.	IEEE 802.1X FUNCTION.....	55
8.13.1.	Port-Based Access Control.....	55
8.13.2.	MAC-Based Access Control.....	55
8.14.	IEEE 802.1D FUNCTION.....	56
8.15.	INPUT & OUTPUT DROP FUNCTION.....	58
8.16.	PORT MIRRORING.....	59
8.17.	LED FUNCTION.....	60
8.18.	GREEN ETHERNET.....	60
8.19.	ENERGY-EFFICIENT ETHERNET (EEE).....	61
8.20.	WAKE-ON-LAN (WOL).....	62
8.21.	CPU PORT TRAFFIC RATE MONITOR.....	62
8.22.	CABLE DIAGNOSIS.....	62
9.	REGISTER DESCRIPTIONS.....	63
9.1.	REGISTER LIST.....	63
9.2.	PHY0 REGISTERS.....	65
9.2.1.	PHY0 Register 0 (Page 0, 1, 2, 3): Control.....	65
9.2.2.	PHY0 Register 1 (Page 0, 1, 2, 3): Status.....	66
9.2.3.	PHY0 Register 2 (Page 0, 1, 2, 3): PHY Identifier 1.....	66
9.2.4.	PHY0 Register 3 (Page 0, 1, 2, 3): PHY Identifier 2.....	67
9.2.5.	PHY0 Register 4 (Page 0, 1, 2, 3): Auto-Negotiation Advertisement.....	67
9.2.6.	PHY0 Register 5 (Page 0, 1, 2, 3): Auto-Negotiation Link Partner Ability.....	68
9.2.7.	PHY0 Register 16 (Page 0, 1, 2, 3): Global Control 0.....	69
9.2.8.	PHY0 Register 18 (Page 0, 1): Global Control 2.....	70
9.2.9.	PHY0 Register 22 (Page 0, 1): Port0 Control Register 0.....	70
9.2.10.	PHY0 Register 24 (Page 0, 1): Port0 Control Register 1.....	71
9.3.	PHY1 REGISTERS.....	72
9.3.1.	PHY1 Register 0 (Page 0, 1, 2, 3): Control.....	72
9.3.2.	PHY1 Register 1 (Page 0, 1, 2, 3): Status.....	72
9.3.3.	PHY1 Register 2 (Page 0, 1, 2, 3): PHY Identifier 1.....	72
9.3.4.	PHY1 Register 3 (Page 0, 1, 2, 3): PHY Identifier 2.....	72
9.3.5.	PHY1 Register 4 (Page 0, 1, 2, 3): Auto-Negotiation Advertisement.....	72
9.3.6.	PHY1 Register 5 (Page 0, 1, 2, 3): Auto-Negotiation Link Partner Ability.....	72
9.3.7.	PHY1 Register 22 (Page 0, 1): Port1 Control Register 0.....	72
9.3.8.	PHY1 Register 24 (Page 0, 1): Port1 Control Register 1.....	73
9.4.	PHY2 REGISTERS.....	73
9.4.1.	PHY2 Register 0 (Page 0, 1, 2, 3): Control.....	73
9.4.2.	PHY2 Register 1 (Page 0, 1, 2, 3): Status.....	73
9.4.3.	PHY2 Register 2 (Page 0, 1, 2, 3): PHY Identifier 1.....	73
9.4.4.	PHY2 Register 3 (Page 0, 1, 2, 3): PHY Identifier 2.....	73
9.4.5.	PHY2 Register 4 (Page 0, 1, 2, 3): Auto-Negotiation Advertisement.....	73
9.4.6.	PHY2 Register 5 (Page 0, 1, 2, 3): Auto-Negotiation Link Partner Ability.....	73
9.4.7.	PHY2 Register 22 (Page 0, 1): Port1 Control Register 0.....	74
9.4.8.	PHY2 Register 23 (Page 0, 1): Global Option Register 1.....	74
9.4.9.	PHY2 Register 24 (Page 0, 1): Port2 Control Register 2.....	74
9.5.	PHY3 REGISTERS.....	74
9.5.1.	PHY3 Register 0 (Page 0, 1, 2, 3): Control.....	74
9.5.2.	PHY3 Register 1 (Page 0, 1, 2, 3): Status.....	74
9.5.3.	PHY3 Register 2 (Page 0, 1, 2, 3): PHY Identifier 1.....	74
9.5.4.	PHY3 Register 3 (Page 0, 1, 2, 3): PHY Identifier 2.....	75
9.5.5.	PHY3 Register 4 (Page 0, 1, 2, 3): Auto-Negotiation Advertisement.....	75
9.5.6.	PHY3 Register 5 (Page 0, 1, 2, 3): Auto-Negotiation Link Partner Ability.....	75
9.5.7.	PHY3 Register 16 (Page 0, 1, 2, 3): Switch MAC Address.....	75

9.5.8.	PHY3 Register 17~18 (Page 0, 1): Switch MAC Address	75
9.5.9.	PHY3 Register 22 (Page 0, 1): Port1 Control Register 0.....	75
9.5.10.	PHY3 Register 24 (Page 0, 1): Port3 Control Register 1.....	75
9.6.	PHY4 REGISTERS	76
9.6.1.	PHY4 Register 0 (Page 0, 1, 2, 3): Control.....	76
9.6.2.	PHY4 Register 1 (Page 0, 1, 2, 3): Status	76
9.6.3.	PHY4 Register 2 (Page 0, 1, 2, 3): PHY Identifier 1.....	76
9.6.4.	PHY4 Register 3 (Page 0, 1, 2, 3): PHY Identifier 2.....	76
9.6.5.	PHY4 Register 4 (Page 0, 1, 2, 3): Auto-Negotiation Advertisement.....	76
9.6.6.	PHY4 Register 5 (Page 0, 1, 2, 3): Auto-Negotiation Link Partner Ability.....	76
9.6.7.	PHY4 Register 22 (Page 0, 1): Port1 Control Register 0.....	76
9.6.8.	PHY4 Register 24 (Page 0, 1): Port4 Control Register 1.....	76
9.7.	PHY6 REGISTERS	77
9.7.1.	PHY6 Register 0 (Page 0, 1, 2, 3): Control.....	77
9.7.2.	PHY6 Register 1 (Page 0, 1, 2, 3): Status	78
9.7.3.	PHY6 Register 2 (Page 0, 1, 2, 3): PHY Identifier 1.....	78
9.7.4.	PHY6 Register 3 (Page 0, 1, 2, 3): PHY Identifier 2.....	78
9.7.5.	PHY6 Register 4 (Page 0, 1, 2, 3): Auto-Negotiation Advertisement.....	79
9.7.6.	PHY6 Register 5 (Page 0, 1, 2, 3): Auto-Negotiation Link Partner Ability.....	80
9.7.7.	PHY6 Register 22 (Page 0, 1): Port5 Control Register 0.....	81
9.7.8.	PHY6 Register 24 (Page 0, 1): Port5 Control Register 1.....	82
9.8.	MMD REGISTERS	83
9.8.1.	Device 3 Address 0: PCS Control 1 Register	83
9.8.2.	Device 3 Address 1: PCS Status 1 Register.....	83
9.8.3.	Device 3 Address 20: EEE Capability Register.....	84
9.8.4.	Device 3 Address 22: EEE Wake Error Counter Register	84
9.8.5.	Device 7 Address 60: EEE Advertisement Register.....	84
9.8.6.	Device 7 Address 61: EEE LP Advertisement Register.....	85
10.	CHARACTERISTICS.....	86
10.1.	ELECTRICAL CHARACTERISTICS/MAXIMUM RATINGS	86
10.2.	OPERATING RANGE.....	86
10.3.	DC CHARACTERISTICS.....	86
10.4.	THERMAL CHARACTERISTICS.....	87
10.4.1.	Simulation Conditions	87
10.4.2.	Thermal Characteristics Result	87
10.5.	DIGITAL TIMING CHARACTERISTICS	88
10.5.1.	LED Timing	88
10.5.2.	Reception/Transmission Data Timing of MII/TMII/RMII/SMI Interface.....	88
10.5.3.	EEPROM Auto-Load Timing.....	90
11.	APPLICATION INFORMATION.....	91
11.1.	UTP (10BASE-T/100BASE-TX) APPLICATIONS	91
12.	DESIGN AND LAYOUT.....	93
13.	MECHANICAL DIMENSIONS.....	95
13.1.	MECHANICAL DIMENSIONS NOTES	96
14.	ORDERING INFORMATION.....	97

List of Tables

TABLE 1. PIN ASSIGNMENTS TABLE	7
TABLE 2. MEDIA CONNECTION PINS.....	8
TABLE 3. MODE CONFIGURATION PIN DEFINITIONS.....	8
TABLE 4. PORT5 MAC CIRCUIT INTERFACE PINS.....	9
TABLE 5. MISCELLANEOUS PINS	12
TABLE 6. PORT LED PINS.....	12
TABLE 7. SERIAL EEPROM AND SMI PINS.....	13
TABLE 8. STRAPPING PINS.....	13
TABLE 9. PORT STATUS STRAPPING PINS	14
TABLE 10. POWER PINS.....	14
TABLE 11. MII/RMII MODE CONFIGURATION TABLE.....	16
TABLE 12. EEPROM LOADING TIME.....	22
TABLE 13. BASIC SMI READ/WRITE CYCLES	26
TABLE 14. EXTENDED SMI MANAGEMENT FRAME FORMAT	26
TABLE 15. RESERVED ETHERNET MULTICAST ADDRESSES.....	27
TABLE 16. LOOP FRAME FORMAT.....	28
TABLE 17. AN EXAMPLE USING POWER TRANSISTOR 2SB1188.....	31
TABLE 18. CRYSTAL AND OSCILLATOR REQUIREMENTS.....	31
TABLE 19. VLAN TABLE.....	33
TABLE 20. VLAN ENTRY	34
TABLE 21. L2 TABLE 4-WAY HASH INDEX METHOD.....	46
TABLE 22. MIB COUNTER TIMEOUT	49
TABLE 23. INTERRUPT EVENT DESCRIPTION	51
TABLE 24. CPU TAG FORMAT	53
TABLE 25. BIT TO PORT MAPPING IN CPU TAG	53
TABLE 26. IEEE 802.1X MAC-BASED ENTRY.....	56
TABLE 27. BEHAVIOR ON TX_EN, RX_EN, AND PSTAN.....	57
TABLE 28. BEHAVIOR ACCORDING TO EN_INPUT, EN_BRO_INPUT, EN_MUL_INPUT, EN_UDA_INPUT	58
TABLE 29. REGISTER DESCRIPTIONS.....	63
TABLE 30. PHY0 REGISTER 0 (PAGE 0, 1, 2, 3): CONTROL.....	65
TABLE 31. PHY0 REGISTER 1 (PAGE 0, 1, 2, 3): STATUS.....	66
TABLE 32. PHY0 REGISTER 2 (PAGE 0, 1, 2, 3): PHY IDENTIFIER 1.....	66
TABLE 33. PHY0 REGISTER 3 (PAGE 0, 1, 2, 3): PHY IDENTIFIER 2.....	67
TABLE 34. PHY0 REGISTER 4 (PAGE 0, 1, 2, 3): AUTO-NEGOTIATION ADVERTISEMENT	67
TABLE 35. PHY0 REGISTER 5 (PAGE 0, 1, 2, 3): AUTO-NEGOTIATION LINK PARTNER ABILITY	68
TABLE 36. PHY0 REGISTER 16 (PAGE 0, 1, 2, 3): GLOBAL CONTROL 0.....	69
TABLE 37. PHY0 REGISTER 18 (PAGE 0, 1): GLOBAL CONTROL 2	70
TABLE 38. PHY0 REGISTER 22 (PAGE 0, 1): PORT0 CONTROL REGISTER 0	70
TABLE 39. PHY0 REGISTER 24 (PAGE 0, 1): PORT0 CONTROL REGISTER 1	71
TABLE 40. PHY1 REGISTER 24 (PAGE 0, 1): PORT1 CONTROL REGISTER 1	73
TABLE 41. PHY2 REGISTER 23 (PAGE 0,1): GLOBAL OPTION REGISTER 1.....	74
TABLE 42. PHY2 REGISTER 24 (PAGE 0, 1): PORT2 CONTROL REGISTER 2	74
TABLE 43. PHY3 REGISTER 16 (PAGE 0, 1, 2, 3): SWITCH MAC ADDRESS.....	75
TABLE 44. PHY3 REGISTER 17~18 (PAGE 0, 1): SWITCH MAC ADDRESS	75
TABLE 45. PHY3 REGISTER 24 (PAGE 0, 1): PORT3 CONTROL REGISTER 1	75
TABLE 46. PHY4 REGISTER 24 (PAGE 0, 1): PORT4 CONTROL REGISTER 1	76
TABLE 47. PHY6 REGISTER 0 (PAGE 0, 1, 2, 3): CONTROL.....	77
TABLE 48. PHY6 REGISTER 1 (PAGE 0, 1, 2, 3): STATUS.....	78
TABLE 49. PHY6 REGISTER 2 (PAGE 0, 1, 2, 3): PHY IDENTIFIER 1	78
TABLE 50. PHY6 REGISTER 3 (PAGE 0, 1, 2, 3): PHY IDENTIFIER 2.....	78
TABLE 51. PHY6 REGISTER 4 (PAGE 0, 1, 2, 3): AUTO-NEGOTIATION ADVERTISEMENT	79
TABLE 52. PHY6 REGISTER 5 (PAGE 0, 1, 2, 3): AUTO-NEGOTIATION LINK PARTNER ABILITY	80

TABLE 53. PHY6 REGISTER 22 (PAGE 0, 1): PORT5 CONTROL REGISTER 0	81
TABLE 54. PHY6 REGISTER 24 (PAGE 0, 1): PORT5 CONTROL REGISTER 1	82
TABLE 55. MMD REGISTERS LIST	83
TABLE 56. DEVICE 3 ADDRESS 0: PCS CONTROL 1 REGISTER	83
TABLE 57. DEVICE 3 ADDRESS 1: PCS STATUS 1 REGISTER	83
TABLE 58. DEVICE 3 ADDRESS 20: EEE CAPABILITY REGISTER	84
TABLE 59. DEVICE 3 ADDRESS 22: EEE WAKE ERROR COUNTER REGISTER	84
TABLE 60. DEVICE 7 ADDRESS 60: EEE ADVERTISEMENT REGISTER	84
TABLE 61. DEVICE 7 ADDRESS 61: EEE LP ADVERTISEMENT REGISTER	85
TABLE 62. ELECTRICAL CHARACTERISTICS/MAXIMUM RATINGS	86
TABLE 63. OPERATING RANGE	86
TABLE 64. DC CHARACTERISTICS	86
TABLE 65. PCB DESCRIPTIONS	87
TABLE 66. CONDITION DESCRIPTIONS	87
TABLE 67. THERMAL CHARACTERISTICS RESULT	87
TABLE 68. LED TIMING	88
TABLE 69. MII/TMII/RMII/SMI TIMING	89
TABLE 70. EEPROM AUTO-LOAD TIMING CHARACTERISTICS	90
TABLE 71. TRANSFORMER VENDORS	91
TABLE 72. ORDERING INFORMATION	97

List of Figures

FIGURE 1. BLOCK DIAGRAM.....	5
FIGURE 2. PIN ASSIGNMENTS	6
FIGURE 3. MII/RMII DIAGRAM.....	15
FIGURE 4. POWER-ON SEQUENCE	21
FIGURE 5. RESET	22
FIGURE 6. START AND STOP DEFINITION	25
FIGURE 7. OUTPUT ACKNOWLEDGE	25
FIGURE 8. RANDOM READ	25
FIGURE 9. SEQUENTIAL READ	25
FIGURE 10. LOOP EXAMPLE	27
FIGURE 11. LED AND BUZZER CONTROL SIGNAL FOR LOOP DETECTION	28
FIGURE 12. LOOP EXAMPLE 2	29
FIGURE 13. PORT4 LOOPBACK	29
FIGURE 14. REG. 0.14 LOOPBACK	30
FIGURE 15. USING A PNP TRANSISTOR TO TRANSFORM 3.3V INTO 1.8V	30
FIGURE 16. VLAN GROUPING EXAMPLE	35
FIGURE 17. VLAN GROUPING WITH PORT5 MAC	36
FIGURE 18. TAGGED AND UNTAGGED PACKET FORWARDING WHEN 802.1Q TAG AWARE VLAN IS ENABLED	37
FIGURE 19. DOUBLE-TAGGED PACKET FORMAT	38
FIGURE 20. PACKET-SCHEDULING DIAGRAM.....	40
FIGURE 21. RTL8306M PRIORITY ASSIGNMENT DIAGRAM.....	41
FIGURE 22. PACKET PRIORITY SELECTION	44
FIGURE 23. TYPE 1 STORM FILTER APPLICATION EXAMPLE	50
FIGURE 24. TYPE 2 STORM FILTER APPLICATION EXAMPLE	50
FIGURE 25. IGMP & MLD APPLICATION EXAMPLE	52
FIGURE 26. CPU TAG APPLICATION EXAMPLE	54
FIGURE 27. BROADCAST INPUT DROP VS. OUTPUT DROP.....	58
FIGURE 28. MULTICAST INPUT DROP VS. OUTPUT DROP.....	59
FIGURE 29. FLOATING AND PULL-DOWN OF LED PINS FOR SINGLE-COLOR LED	60
FIGURE 30. RECEPTION DATA TIMING OF MII/TMII/RMII/SMI INTERFACE	88
FIGURE 31. TRANSMISSION DATA TIMING OF MII/TMII/RMII/SMI INTERFACE	88
FIGURE 32. EEPROM AUTO-LOAD TIMING.....	90
FIGURE 33. UTP APPLICATION FOR TRANSFORMER WITH CONNECTED CENTRAL TAP	91
FIGURE 34. UTP APPLICATION FOR TRANSFORMER WITH SEPARATE CENTRAL TAP	92

1. General Description

The RTL8306M-CG is a 6-port Fast Ethernet switch controller that integrates memory, six MACs, and five physical layer transceivers for 10Base-T and 100Base-TX operation into a single chip.

The RTL8306M supports a MII/RMII interface for external devices to connect to the 6th MAC. The external device could be a routing engine, HomePNA, HomePlug, or VDSL transceiver depending on the application. In order to accomplish diagnostics in complex network systems, the RTL8306M provides a loopback feature in each port.

The RTL8306M supports several advanced QoS functions with four-level priority queues to improve multimedia or real-time networking applications, including:

- Multi-priority assignment
- Differential queue weight
- Port-based and queue-based rate limitation
- 16-entry ACL for advanced packet control application

For multicast applications, the RTL8306M supports IGMPv1/v2/v3 and MLDv1/v2 snooping.

To meet security and management requirements, the RTL8306M supports IEEE 802.1x Port-based/MAC-based Access Control, MAC Address Limits, Port Isolation, Port Mirroring, and also supports five 32-bit MIB Counters on each port.

The RTL8306M supports 16 VLAN groups. These can be configured as port-based VLANs and/or 802.1Q tag-based VLANs. The RTL8306M also supports VLAN translation and QinQ.

The RTL8306M contains a 2K-entry address lookup table. Two 4-way associative hash algorithms avoid hash collisions and maintain forwarding performance. The 2K-entry table provides read/write access from the SMI interface, and each of the entries can be configured as a static entry that does not automatically age out and can only be controlled by the external management processor. For IGMP/MLD snooping application, each of the 2K entries can be configured as a multicast entry that indicates the matched packets will be forwarded to specific multi ports. For IEEE 802.1x application, each of the 2K entries can be configured as an authorized or unauthorized entry.

Maximum packet length can be 2047 bytes. Two types of independent storm filter are provided to filter packet storms, and an intelligent switch engine prevents Head-of-Line blocking problems. The filtering function is supported for IEEE 802.1D specified reserved multicast addresses (01-80-C2-00-00-02 and 01-80-C2-00-00-04 to 01-80-C2-00-00-0F).

The RTL8306M provides flexible LED functions for diagnostics, with four combination modes. It also provides one LED to indicate all ports' link and activity information. An externally managed processor can control the LEDs via SMI.

The RTL8306M supports Realtek's Green Ethernet power saving mode, as well as Energy-Efficient Ethernet mode (EEE; defined in IEEE 802.3az) to minimize system power consumption. When the Green Ethernet Feature is enabled, the RTL8306M provides link-on and dynamic detection of cable length and dynamic adjustment of power required for the detected cable length. This feature provides high performance with minimum power consumption.

Energy-Efficient Ethernet (EEE) supports Low Power Idle Mode. When Low Power Idle Mode is enabled, systems on both sides of the link can disable portions of the functionality and save power during periods of low link utilization.

For whole system power saving, the RTL8306M supports the Wake-on-LAN (WOL) function and provides control signals to manage the system power based on the port linkage and the traffic loading of the CPU port.

To simplify the peripheral power circuit, the RTL8306M can use a low-cost PNP transistor to generate 1.8V from a 3.3V power supply.

2. Features

Basic Switching Functions

- 6-port switch controller with memory and transceiver for 10Base-T and 100Base-TX with:
 - ◆ 5-port 10/100M UTP
 - ◆ 5-port 10/100M UTP + 1-port (T)MII/RMII
- Supports MII/TMII/RMII for router applications, HomePNA, HomePlug, or VDSL solutions
- Non-blocking wire-speed reception and transmission and non-head-of-line-blocking forwarding
- Complies with IEEE 802.3/802.3u auto-negotiation
- Built-in high efficiency SRAM for packet buffer, with 2K-entry lookup table and two 4-way associative hash algorithms
- 2047 byte maximum packet length
- Flow control fully supported:
 - ◆ Half duplex: Back pressure flow control
 - ◆ Full duplex: IEEE 802.3x flow control

Service Quality

- Supports high performance QoS function on each port:
 - ◆ Supports 4-level priority queues
 - ◆ Weighted round robin service
 - ◆ Supports strict priority
 - ◆ Input/Output port bandwidth control
 - ◆ Queue based bandwidth control

- ◆ ACL-based, 1Q-based, Port-based, DSCP-based, VID-based, IP address-based, and other types of priority assignments

- Supports 16-entry ACL for advanced applications
- Supports IEEE 802.1p Traffic Re-marking
- Supports IGMP v1/v2/v3 and MLD v1/v2 snooping

Security and Management

- Supports MAC Limit
- Supports Port Isolation
- Supports IEEE 802.1x
- Lookup Table is accessible via SMI
- Supports 32-bit smart counter for per port RX/TX byte/packet count, collision counter, and error counter
- Supports reserved control frame filtering
- Supports advanced storm filtering
- Supports Port Mirroring
- Supports interrupt for CPU application
- Supports proprietary CPU tag for traffic management
- Supports SMI (Serial Management Interface) for programming and diagnostics
- Optional EEPROM interface for configuration

VLAN Functions

- Supports up to 16 VLAN groups
- Flexible 802.1Q port/tag-based VLAN
- Supports VLAN translation
- Supports QinQ
- Leaky VLAN for ARP/unicast/IP multicast packets
- Supports external processor to maintain greater than 16 VLAN groups

Power Saving Functions

- Green Ethernet Feature
- Supports Energy-Efficient Ethernet (EEE) function (IEEE 802.3az)
- Supports Wake-on-LAN (WOL)
- Supports system power management based on link and CPU port traffic loading

Diagnostic Functions

- Supports IEEE 802.1D
- Supports hardware loop detection function, with LEDs to indicate the existence of a loop

- Supports cable diagnosis (RTCT function)
- Supports MAC and PHY loopback function for diagnosis
- LED indicators:
 - ◆ One LED indicates all ports' link status and activity
 - ◆ Loop status indication
 - ◆ LEDs blink upon reset for LED diagnostics

Other Features

- Optional MDI/MDIX auto crossover for plug-and-play
- Physical layer port Polarity Detection and Correction function
- Robust baseline wander correction for improved 100Base-TX performance
- 25MHz crystal or 3.3V/1.8V OSC input
- Single 3.3V power input can be transformed to 1.8V via a low-cost external BJT transistor
- Low power, 1.8/3.3V, 0.153 μ m CMOS technology
- 64-pin QFN package

3. System Applications

- 5-port switch (10Base-T & 100Base-TX)
- xDSL/cable modem router or home gateway applications
- HomePNA/HomePlug bridge solutions
- Set-top box/TV

4. Block Diagram

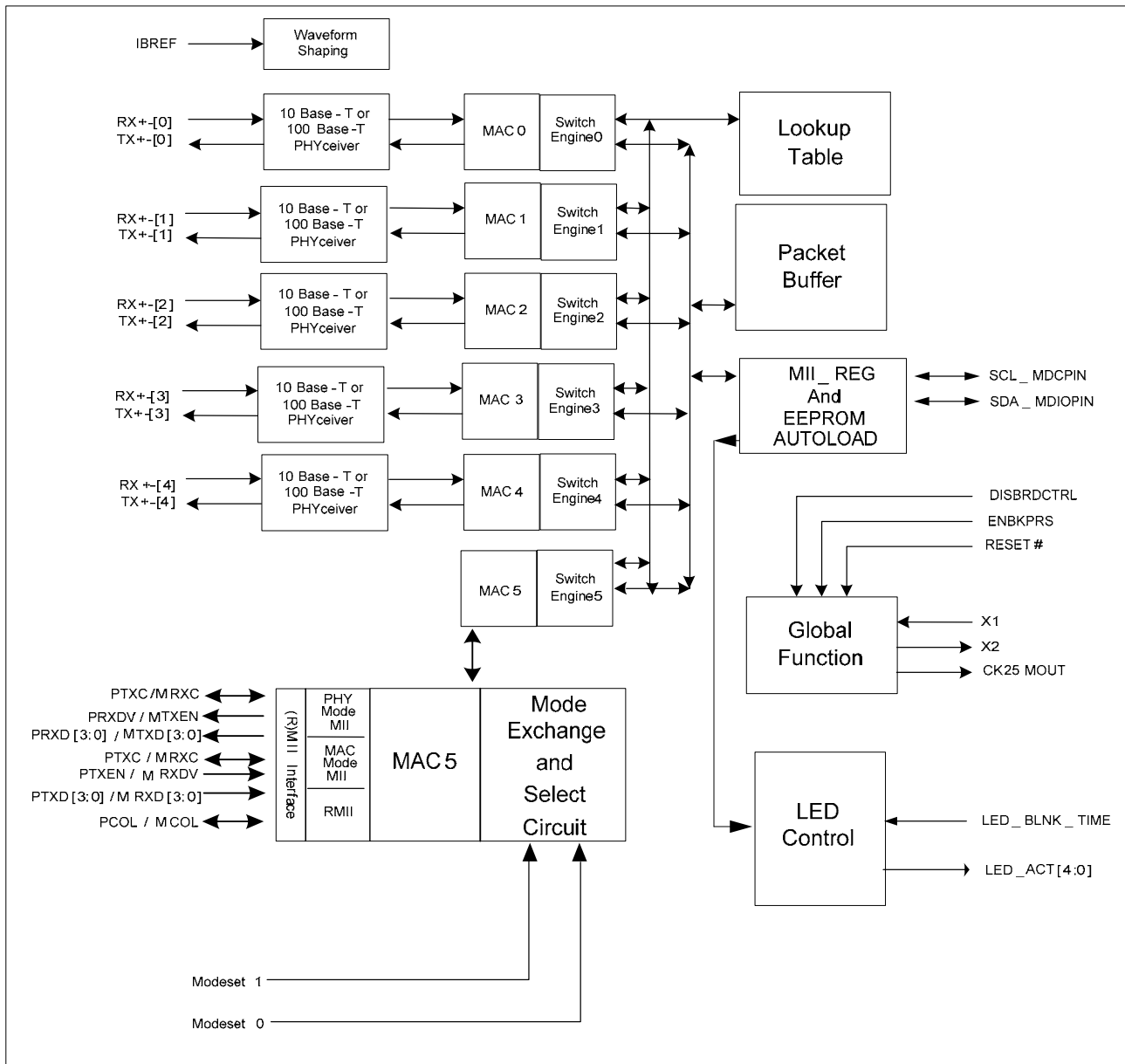


Figure 1. Block Diagram

5. Pin Assignments

5.1. Pin Assignments Diagram

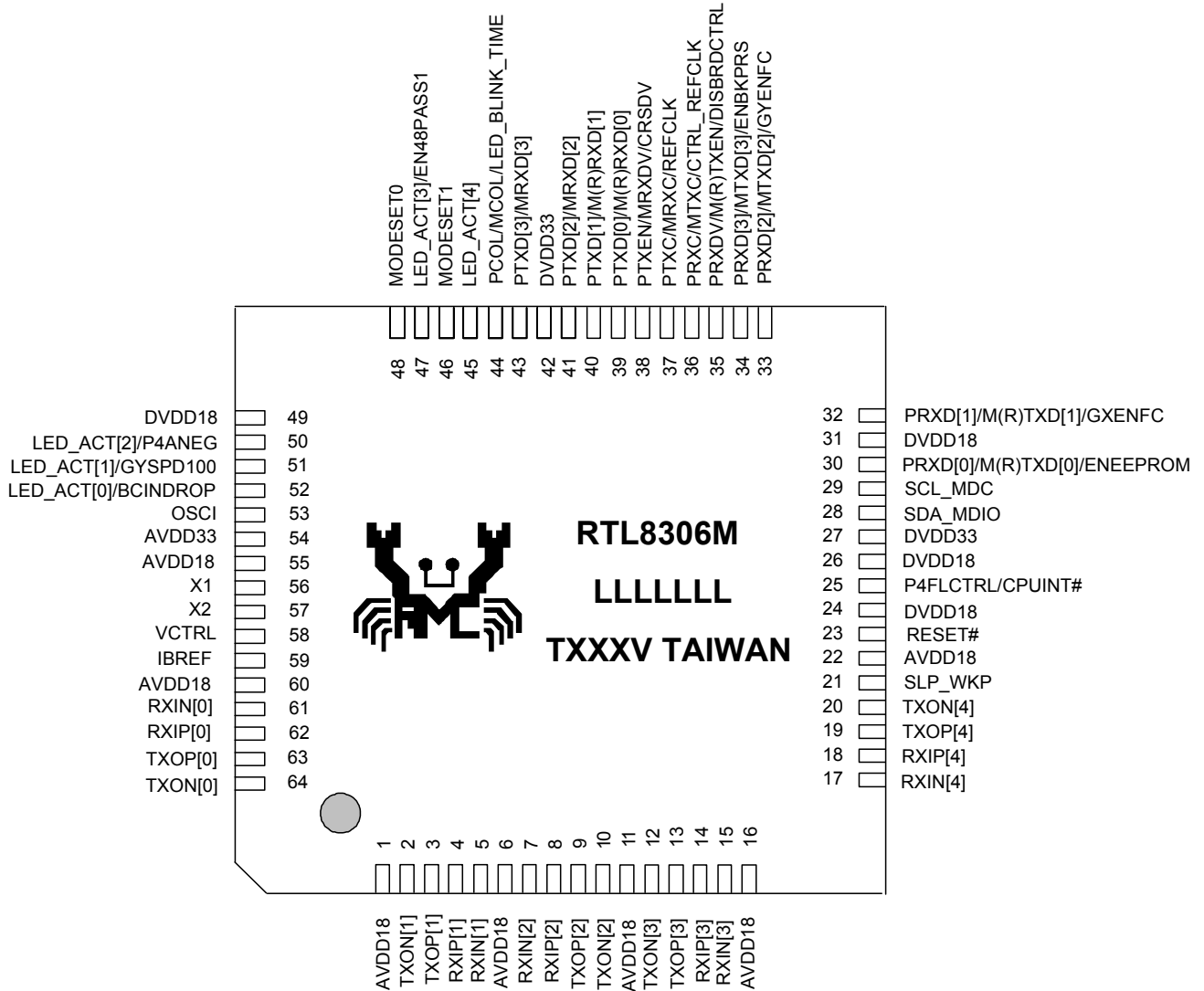


Figure 2. Pin Assignments

5.2. Package Identification

Green package is indicated by a 'G' in the location marked 'T' in Figure 2.

5.3. Pin Assignments Table

‘Type’ codes used in the following table: A=Analog, D=Digital, I=Input, O=Output, I/O=Input/Output, I_{PU}=Internal pull-up, I_{PD}=Internal pull-down.

All internal pull-up and pull-down resistors are 75K ohm resistors.

Table 1. Pin Assignments Table

Name	Pin No.	Type
AVDD18	1	AVDD
TXON[1]	2	AI/O
TXOP[1]	3	AI/O
RXIP[1]	4	AI/O
RXIN[1]	5	AI/O
AVDD18	6	AVDD
RXIN[2]	7	AI/O
RXIP[2]	8	AI/O
TXOP[2]	9	AI/O
TXON[2]	10	AI/O
AVDD18	11	AVDD
TXON[3]	12	AI/O
TXOP[3]	13	AI/O
RXIP[3]	14	AI/O
RXIN[3]	15	AI/O
AVDD18	16	AVDD
RXIN[4]	17	AI/O
RXIP[4]	18	AI/O
TXOP[4]	19	AI/O
TXON[4]	20	AI/O
SLP_WKP	21	O (I _{PU})
AVDD18	22	AVDD
RESET#	23	I (I _{PU})
DVDD18	24	DVDD
P4FLCTRL/CPU_INT#	25	I/O (I _{PU})
DVDD18	26	DVDD
DVDD33	27	DVDD
SDA_MDIO	28	I/O (I _{PU})
SCL_MDC	29	I/O (I _{PU})
PRXD[0]/M(R)TXD[0]/ ENEEPROM	30	I/O (I _{PU})
DVDD18	31	DVDD
PRXD[1]/M(R)TXD[1]/ GXENFC	32	I/O (I _{PU})
PRXD[2]/MTXD[2]/GYENFC	33	I/O (I _{PU})

Name	Pin No.	Type
PRXD[3]/MTXD[3]/ENBKPRS	34	I/O (I _{PU})
PRXDV/M(R)TXEN/ DISBRDCTRL	35	I/O (I _{PU})
PRXC/MTXC/CTRL_REFCLK	36	I/O (I _{PU})
PTXC/MRXC/REFCLK	37	I/O (I _{PU})
PTXEN/MRXDV/CRSDV	38	I/O (I _{PD})
PTXD[0]/M(R)RXD[0]	39	I (I _{PU})
PTXD[1]/M(R)RXD[1]	40	I (I _{PU})
PTXD[2]/MRXD[2]	41	I (I _{PU})
DVDD33	42	DVDD
PTXD[3]/MRXD[3]	43	I (I _{PU})
PCOL/MCOL/ LED_BLINK_TIME	44	I/O (I _{PU})
LED_ACT[4]	45	I/O (I _{PU})
MODESET1	46	I/O (I _{PU})
LED_ACT[3]/EN48PASS1	47	I/O (I _{PU})
MODESET0	48	I/O (I _{PU})
DVDD18	49	DVDD
LED_ACT[2]/P4ANEG	50	I/O (I _{PU})
LED_ACT[1]/GYSPD100	51	I/O (I _{PU})
LED_ACT[0]/BCINDROP	52	I/O (I _{PU})
OSCI	53	I
AVDD33	54	AVDD
AVDD18	55	AVDD
X1	56	I
X2	57	O
VCTRL	58	O
IBREF	59	A
AVDD18	60	AVDD
RXIN[0]	61	AI/O
RXIP[0]	62	AI/O
TXOP[0]	63	AI/O
TXON[0]	64	AI/O
E-PAD	E-PAD	GND

6. Pin Descriptions

‘Type’ codes used in the following tables: A=Analog, D=Digital, I=Input, O=Output, I/O=Input/Output, I_{PU}=Internal pull-up, I_{PD}=Internal pull-down.

All internal pull-up and pull-down resistors are 75K ohm resistors.

Upon Reset

Defined as a short time after the end of a hardware reset.

After Reset

Defined as the time after the specified ‘Upon Reset’ time.

6.1. Media Connection Pins

Table 2. Media Connection Pins

Pin Name	Pin No.	Type	Drive (mA)	Description	Default
RXIN[0:4]/ RXIP[0:4]	61,5, 7, 15, 17, 62, 4, 8, 14, 18	AI	-	Differential Receive Data Input. Port0-4 support 100Base-TX, 10Base-T	UTP
TXOP[0:4]/ TXON[0:4]	63, 3, 9, 13, 19, 64, 2, 10, 12, 20	AO	-	Differential Transmit Data Output. Port0-4 support 100Base-TX, 10Base-T	UTP

6.2. Mode Configuration Pins

Table 3. Mode Configuration Pin Definitions

Pin Name	Pin No.	Type	Drive (mA)	Description	Default
MODESET1	46	I/O (I _{PU})	-	Input Upon Reset. These 2 pins are used together to select the operating modes of MII/RMII pins for MAC 5	1
MODESET0	48	I/O (I _{PU})	-	MODESET[1:0] 11: MII/RMII is used as MAC Mode (T)MII 10: MII/RMII used as MAC Mode (T)MII. The MAC5 is enabled and TMII is selected for MAC5 by default 01: MII/RMII is used as PHY Mode (T)MII 00: MII/RMII is used as RMII <i>Note: MAC5 is disabled and MII mode is selected by default in all modes except ‘10’ when both TMII and MII are available for MAC5. The selection of MII or TMII and the enabling of the MAC5 can be configured via register.</i> After Reset, these pins are output pins.	1

Pin Name	Pin No.	Type	Drive (mA)	Description	Default
P4FLCTRL/ CPU_INT#	25	I/O (I _{PU})	4	Input Upon Reset. Port4 Flow Control. Port4 initial configuration pin for flow control upon reset. 1: Enable Flow Control ability 0: Disable Flow Control ability Output After Reset: Provide interrupt signal to CPU when interrupt events occur.	1

6.3. Port5 MAC Circuit Interface Pins

The external device must be 3.3V compatible as the digital output of the RTL8306M is 3.3V.

Table 4. Port5 MAC Circuit Interface Pins

Pin Name	Pin No.	Type	Drive (mA)	Description	Default
PTXD[3]/ MRXD[3]	43	I (I _{PU})	-	For PHY mode (T)MII; this pin is input pin PTXD[3]. For MAC mode (T)MII; this pin is input pin MRXD[3]. For RMII mode this pin is not used.	1
PTXD[2]/ MRXD[2]	41	I (I _{PU})	-	For PHY mode (T)MII; this pin is input pin PTXD[2]. For MAC mode (T)MII; this pin is input pin MRXD[2]. For RMII mode this pin is not used.	1
PTXD[1]/ M(R)RXD[1]	40	I (I _{PU})	-	For PHY mode (T)MII; this pin is input pin PTXD[1]. For MAC mode (T)MII; this pin is input pin MRXD[1]. For RMII mode; this pin is input pin RRXD[1].	1
PTXD[0]/ M(R)RXD[0]	39	I (I _{PU})	-	For PHY mode (T)MII; this pin is input pin PTXD[0]. For MAC mode (T)MII; this pin is input pin MRXD[0]. For RMII mode; this pin is input pin RRXD[0].	1
PTXEN/ MRXDV/CRSDV	38	I/O (I _{PD})	-	For PHY mode (T)MII; this pin is input pin PTXEN. For MAC mode (T)MII; this pin is input pin MRXDV. For RMII mode; this pin is input pin CRSDV.	1
PCOL/MCOL/LED _BLINK_TIME	44	I/O (I _{PU})	4	For MAC mode (T)MII; this pin is input pin MCOL. For PHY mode (T)MII; this pin is IO pin PCOL/LED_BLNK_TIME. Upon Reset: This pin is strapping pin LED_BLINK_TIME. 1: On 43ms, then Off 43ms 0: On 120ms, then Off 120ms After Reset: This pin is output pin PCOL. For RMII mode it is strapping pin LED_BLINK_TIME. Upon Reset: 1: On 43ms, then Off 43ms 0: On 120ms, then Off 120ms After Reset: Not used.	1

Pin Name	Pin No.	Type	Drive (mA)	Description	Default
PTXC/MRXC/ REFCLK	37	I/O (I _{PU})	8	For MAC mode (T)MII; these 2 pins are input pins MRXC and MTXC. For PHY mode (T)MII; the 2 pins are output pin PTXC and PRXC. For RMII mode, pin 37 is bi-directional pin REFCLK, whose direction is controlled by pin 36. Pin 36 CTRL_REFCLK is a strapping pin to control the direction of Pin 37 in RMII mode.	1
PRXC/MTXC/ CTRL_REFCLK	36	I/O (I _{PU})	8	Upon Reset: If pin 36 is pulled-high, then pin 37 is an input pin to receive an external 50MHz RMIICLOCK. If pin 36 is pulled-low, then pin 37 is an output pin to provide a 50MHz RMIICLOCK.	1
PRXD[3]/ MTXD[3]/ ENBKPRS	34	I/O (I _{PU})	4	Input Upon Reset in All Modes. The pin is strapping pin ENBKPRS and sets backpressure in half duplex mode on all UTP ports. 1: Enable 0: Disable After Reset: For MAC mode (T)MII; this is output pin MTXD[3]. For PHY mode (T)MII; this is output pin PHYPRXD[3]. For RMII mode: Not used.	1
PRXD[2]/ MTXD[2]/ GYENFC	33	I/O (I _{PU})	4	Input Upon Reset in All Modes. The pin is strapping pin GYENFC. Enables Flow Control ability of GROUP Y: 1: Enable Reg4.10 (NWay Full duplex only), or 'Enable Force Full pause ability of Force Mode (UTP Force Mode)', or 'Enable Force Half Back Pressure ability of Force Mode (UTP Force Mode)'. 0: Disable Reg4.10 (NWay Full duplex only), or 'Disable Force Full pause ability of Force Mode (UTP Force Mode)', or 'Disable Force Half Back Pressure ability of Force Mode (UTP Force Mode)'. Strap after reset for initial value of Group Y 'UTP NWay Full', or 'UTP Force Full or Half Mode'. After Reset: For MAC mode (T)MII; this pin is output pin MTXD[2]. For PHY mode (T)MII; this pin is output pin PHYPRXD[2]. For RMII mode: Not used. <i>Note: GROUP X means Port0, GROUP Y means Port1~Port3.</i>	1

Pin Name	Pin No.	Type	Drive (mA)	Description	Default
PRXD[1]/ M(R)TXD[1]/ GXENFC	32	I/O (I _{PU})	4	<p>Input Upon Reset in All Modes. The pin is strapping pin GXENFC. To enable Flow Control ability of GROUP X: 1: Enable Reg4.10 (NWay Full duplex only), or ‘Enable Force Full pause ability of Force Mode (UTP Force Mode)’, or ‘Enable Force Half Back Pressure ability of Force Mode (UTP Force Mode)’. 0: Disable Reg4.10 (NWay Full duplex only), or ‘Disable Force Full pause ability of Force Mode (UTP Force Mode)’, or ‘Disable Force Half Back Pressure ability of Force Mode (UTP Force Mode)’. Strap after reset for initial value of Group X ‘UTP NWay Full’, or ‘UTP Force Full or Half Mode’. After Reset: For MAC mode (T)MII, this pin is output pin MTXD[1]. For PHY mode (T)MII, this pin is output pin PHYPRXD[1]. For RMII mode; this pin is output pin RTXD[1].</p>	1
PRXD[0]/ M(R)TXD[0]/ ENEEPROM	30	I/O (I _{PU})	4	<p>Input Upon Reset in All Modes. The pin is strapping pin Enable EEPROM. Sets the RTL8306M to enable loading of the serial EEPROM upon reset. 1: Enable 0: Disable Output After Reset: For MAC mode (T)MII; this is output pin MTXD[0]. For PHY mode (T)MII; this is output pin PHYPRXD[0]. For RMII mode; this is output pin RTXD[0].</p>	1
PRXDV/ M(R)TXEN/ DISBRDCTRL	35	I/O (I _{PU})	4	<p>Input Upon Reset in All Modes. The pin is strapping pin DISBRDCTRL. Sets Broadcast Storm Control. 1: Disable 0: Enable Output After Reset: For MAC mode (T)MII; this pin is output pin MTXEN. For PHY mode (T)MII; this pin is output pin PHYPRXDV. For RMII mode; this pin is output pin RTXEN.</p>	1

6.4. Miscellaneous Pins

Table 5. Miscellaneous Pins

Pin Name	Pin No.	Type	Drive (mA)	Description
X1	56	I	-	25MHz Crystal Input. The clock tolerance is ± 50 ppm. When using an oscillator, this pin should be tied to ground.
X2	57	O	-	For Crystal Input. When using an oscillator, this pin should be left floating.
OSCI	53	I	-	A 25MHz Clock from an Oscillator is Fed to This Pin. X1 should be tied to ground and X2 should be left floating in this application. If the 25MHz clock is from a crystal via X1 and X2, this pin should be left floating.
RESET#	23	I (I _{PU})	-	Active Low Reset Signal. To complete the reset function, this pin must be asserted for at least 1 μ s. After reset, about 30ms is needed for the RTL8306M to complete internal test functions and initialization. This pin is a Schmitt input.
IBREF	59	A	-	Control Transmit Output Waveform Vpp. This pin should be grounded through a 1.96K ohm resistor.
VCTRL	58	O	4	Voltage Control to External Regulator. This signal controls a power PNP transistor to generate the 1.8V power supply.
SLP_WKP	21	O (I _{PU})	4	This pin is used to power off the CPU for power saving. It is also used to power on or wake up the CPU when the wakeup event occurs.

6.5. Port LED Pins

Those pins that are dual-function pins are output for LED or input for strapping. Below are LED descriptions only.

Table 6. Port LED Pins

Pin Name	Pin No.	Type	Drive (mA)	Description
LED_ACT[4:0]/...	45, 47, 50, 51, 52	I/O (I _{PU})	4	Output After Reset=Used for LEDs. The RTL8306M controls the LEDs: LED_ACT[0] can be configured to indicate the Link/Act information for port0~4 via register and EEPROM. When a port detects a loop, its LED will blink slowly at a specific frequency (see section 7.3.8 Loop Detection, page 27). When the CPU Controls the LEDs: On: Corresponding register 1 Off: Corresponding register 0 Input Upon Reset = Refer to Table 8, on page 13, and Table 9, on page 14.

6.6. Serial EEPROM and SMI Pins

As the output of the RTL8306M is 3.3V, the serial EEPROM and external device must be 3.3V compatible.

Table 7. Serial EEPROM and SMI Pins

Pin Name	Pin No.	Type	Drive (mA)	Description
SCL_MDC	29	I/O (I _{PU})	4	SCL or MDC. This pin is tri-state when pin RESET#=0. When pin EnEEPROM=1, this pin becomes SCL (output) to load the serial EEPROM upon reset. After reset this pin changes to MDC (input). When pin EnEEPROM=0, this pin is MDC (input): 0 to 2.5MHz clock, sourced by an external device to sample MDIO.
SDA_MDIO	28	I/O (I _{PU})	4	SDA or MDIO. This pin is tri-state when RESET#=0. When pin EnEEPROM=1, this pin becomes SDA (input/output) to load the serial EEPROM upon reset. After reset this pin changes to MDIO (input/output). It should be pulled-high by an external resistor. When pin EnEEPROM=0, this pin is MDIO (input/output). It should be pulled-high by an external resistor.

6.7. Strapping Pins

Pins that are dual function pins are outputs for LED or inputs for strapping. Below are strapping descriptions only.

Table 8. Strapping Pins

Pin Name	Pin No.	Type	Drive (mA)	Description	SMI Accessible	EEPROM Accessible
LED_ACT[3]/ EN48PASS1	47	I/O (I _{PU})	4	Input Upon Reset=Enable 48 pass 1. 1: 48 pass 1. Continuously collides 48 input packets then passes 1 packet to retain system resources and avoid partition in the repeater when the packet buffer is full 0: Continuously collides to avoid packet loss when the packet buffer is full Output After Reset=Used for LED.	√	√
LED_ACT[0]/ BCINDROP	52	I/O (I _{PU})	4	Input Upon Reset=Broadcast Input Drop. 1: Use Broadcast Input drop mechanism 0: Use Broadcast Output drop mechanism Output After Reset=Used for LED.	√	√

6.8. Port Status Strapping Pins

Pins that are dual function pins are outputs for LEDs or inputs for strapping. Below are strapping descriptions only.

Table 9. Port Status Strapping Pins

Pin Name	Pin No.	Type	Drive (mA)	Description	SMI Accessible	EEPROM Accessible
LED_ACT[2]/P4ANEG	50	I/O _{PU}	4	Input Upon Reset=Port4 Auto-Negotiation ability. 1: Enable auto-negotiation (NWay mode) 0: Disable auto-negotiation (Force mode) Upon reset, this pin sets Reg.0.12 of Port4. Strap after reset for initial value of Port4 UTP mode only. This pin is not used for MAC mode MII, PHY mode MII. Output After Reset=Used for LED.	√	√
LED_ACT[1]/GYSPD100	51	I/O _{PU}	4	Input Upon Reset=GroupY 10Base-T/100Base-TX ability. GySpd100: 1 → MII Reg0.13=1, 0.8=1, 4.8=1, 4.7=1, 4.6=1, 4.5=1 GySpd100: 0 → MII Reg0.13=0, 0.8=1, 4.8=0, 4.7=0, 4.6=1, 4.5=1 Upon reset, this pin sets Reg.0.13. In addition, upon reset, this pin also sets Reg.4.8/4.7/4.6/4.5. Strap after reset for initial value of Group Y port only. Output After Reset=Used for LED.	√	√

6.9. Power Pins

Table 10. Power Pins

Pin Name	Pin No.	Type	Drive (mA)	Description
AVDD18	1, 6, 11, 16, 22, 55, 60	P	-	1.8V Analog Power.
AVDD33	54	P	-	3.3V Analog Power.
DVDD18	24, 26, 31, 49	P	-	1.8V Digital Power.
DVDD33	27, 42	P	-	3.3V Digital Power.
E-PAD	E-PAD	G	-	System Ground

7. Basic Functional Description

7.1. Switch Core Function Overview

7.1.1. MII/RMII

7.1.1.1 Description

The RTL8306M supports one MII/RMII interface to work with various routing engines, and one MII/RMII interface to work with HomePNA, HomePlug, or VDSL transceivers, as shown in Figure 3.

The RTL8306M supports one MII/RMII interface for external devices to connect to the 6th MAC. The external device could be a routing engine, HomePNA, HomePlug, or VDSL transceiver depending on the application.

MII/RMII can be used in Turbo MII (TMII) mode for the 6th MAC. The signal and protocol of Turbo MII are the same as those of MII except the Turbo MII clock rate is doubled, i.e., Turbo MII has double the transmit/receive bandwidth as compared to MII.

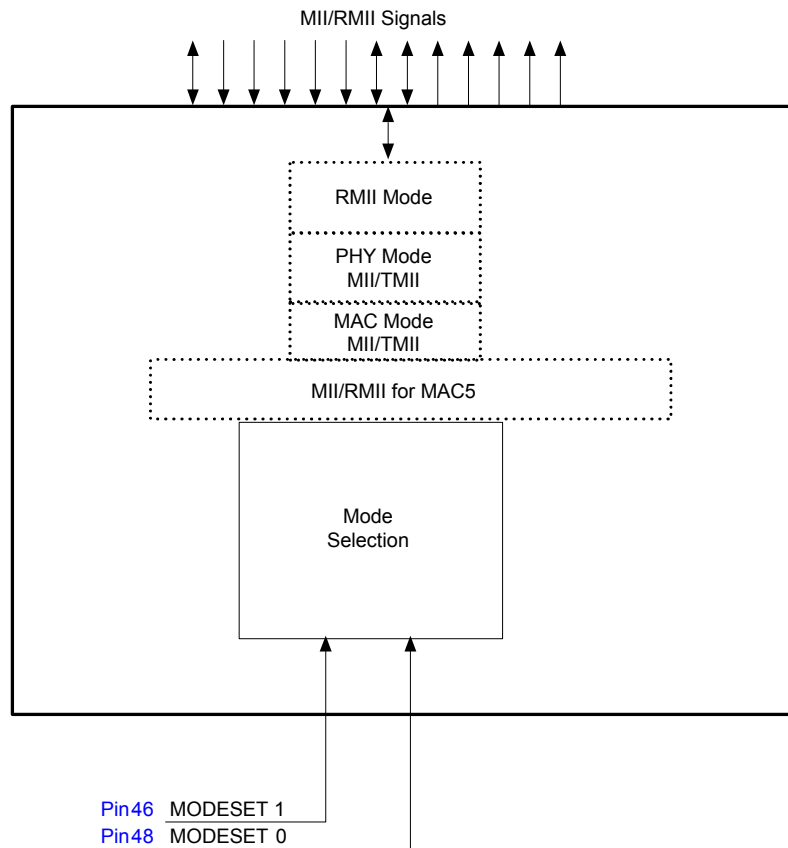


Figure 3. MII/RMII Diagram

7.1.1.2 MII/RMII Mode Configuration

The MII/RMII interface of the RTL8306M supports various operating modes. Table 11 lists the available modes.

‘1’ indicates that upon reset this pin is pulled-high. ‘0’ indicates that upon reset this pin is pulled-down.

Table 11. MII/RMII Mode Configuration Table

MODESET1 (Pin 46) Default: 1	MODESET0 (Pin 48) Default: 1	Operating Mode
1	1	MAC5 in MAC Mode (T)MII. MAC 5 is disabled and MII mode is selected by default. The selection of MII or TMII and the enabling of the MAC5 can be configured via register.
1	0	MAC5 in MAC Mode (T)MII. MAC5 is enabled and TMII mode is selected by default. The selection of MII or TMII and the enabling of the MAC5 can be configured via register.
0	1	MAC 5 in PHY Mode (T)MII. MAC 5 is disabled and MII mode is selected by default. The selection of MII or TMII and the enabling of the MAC5 can be configured via register.
0	0	MAC5 in RMII Mode. MAC 5 is disabled by default. The enabling of the MAC5 can be configured via register.

7.1.1.3 Port5 (6th MAC) Status Configuration

The RTL8306M supports flexible methods to configure MAC5 (6thMAC) NWay/Force mode, 10Mbps/100Mbps, Full/Half duplex, and Enable/Disable Flow control.

- When MAC5 (6th MAC) is needed in system applications, the operating abilities should be configured by writing the register after setting the correct MII/RMII operating mode.
- When MAC5 is enabled, the default status is: 100Mbps, Full duplex, flow control enabled.

7.1.2. Port0, 1, 2, 3 Status Configuration

The 4 ports are separated into 2 groups (GroupX/GroupY) for flexible port configuration using strapping pins upon reset.

- GroupX=Port 0
- GroupY=Ports 1, 2, and 3.

Each group has strapping pins for selecting initial port status upon reset (100/10, Enable/Disable Flow Control). In addition to using strapping pins, the RTL8306M can be configured via an EEPROM upon reset, or read/write operation by a CPU via the MDC/MDIO interface after reset.

7.1.3. Flow Control

The RTL8306M supports IEEE 802.3x full duplex flow control, force mode full duplex flow control, and optional half duplex back pressure.

7.1.3.1 IEEE 802.3x Full Duplex Flow Control

For UTP with auto-negotiation ability the pause ability (Reg.4.10) of full duplex flow control is enabled by pins GxEnFC/GyEnFC/P4FLCTRL on a group basis upon reset, or internal registers via SMI on a per-port basis after reset. For UTP with auto-negotiation ability, IEEE 802.3x flow control's ability is auto-negotiated between the remote device and the RTL8306M. If the auto-negotiation result of the IEEE 802.3x pause ability is 'Enabled' (Reg.4.10: 1 and Reg.5.10: 1), the full duplex 802.3x flow control function is enabled. Otherwise, the full duplex IEEE 802.3x flow control function is disabled.

7.1.3.2 Force Mode Full Duplex Flow Control

For UTP without auto-negotiation ability, IEEE 802.3x flow control's ability can be set to 'Enabled' by pins GxEnFC/GyEnFC/P4FLCTRL on a group basis upon reset, or on a per-port basis after reset. Regardless of the flow control mode (IEEE 802.3x full duplex flow control, or forced mode full duplex flow control), when full duplex flow control is enabled, the RTL8306M will only recognize IEEE 802.3x flow control PAUSE ON/OFF frames with DA=01-80-C2-00-00-01, type=0x8808, OP-code=0x01, PAUSE Time = maximum to zero, and with a good CRC.

If a PAUSE frame is received from any PAUSE flow control enabled port set to DA=01-80-C2-00-00-01, the corresponding port of the RTL8306M will stop its packet transmission until the PAUSE timer times out or another PAUSE frame with zero PAUSE time is received. The RTL8306M will not forward any IEEE 802.3x PAUSE frames received from any port.

7.1.3.3 Half Duplex Back Pressure

If register EnDefer bit is 1, the RTL8306M will send a preamble to defer the other station's transmission when there is no packet to send. Otherwise, if it is 0, the RTL8306M will force a collision with the other station's transmission when the buffer is full.

- If pin EN48PASS1 is 0, the RTL8306M will always collide with JAM (Continuous collision).
- If pin EN48PASS1 is 1, the RTL8306M will try to forward one packet successfully after 48 forced collisions (48pass1), to avoid the connected repeater being partitioned due to excessive collisions.

7.1.3.4 NWay Mode

For UTP with auto-negotiation ability, pins GxEnFC/GyEnFC/P4FLCTRL are effective only in full duplex mode. Therefore, for UTP in half duplex mode, half duplex back pressure flow control is controlled by the ENBKPRS pin strap upon hardware reset.

7.1.3.5 Force Mode

For UTP without auto-negotiation ability, the operation mode can be forced to half duplex. Half duplex back pressure flow control can be forced to 'enabled' on the RTL8306M side by pin GxEnFC/GyEnFC/P4FLCTRL on a group basis upon reset.

7.1.4. Address Search, Learning, and Aging

When a packet is received, the RTL8306M will use the bits of the destination MAC address to index the 2048-entry lookup table, and at the same time compare the destination MAC address with the contents of the 1-entry CAM. If the indexed entry is valid, or the CAM comparison is matched, the received packet will be forwarded to the corresponding destination port. Otherwise, the RTL8306M will broadcast the packet. This is the ‘Address Search’.

The RTL8306M then extracts the specific bits of the source MAC address to index the 2048-entry lookup table. If the entry is not in the table it will record the source MAC address and add switching information. If this is an occupied entry, it will update the entry with new information. This is called ‘Learning’. If the indexed location has been occupied by a different MAC address (hash collision), the new source MAC address will be recorded into the 1-entry CAM.

Address aging is used to keep the contents of the address table correct in a dynamic network topology. The lookup engine will update the time stamp information of an entry whenever the corresponding source MAC address appears. An entry will be invalid (aged-out) if its time stamp information is not refreshed by the address learning process during the aging time period. The aging time of the RTL8306M is between 200 and 350 seconds.

7.1.5. Half Duplex Operation

In half duplex mode, the CSMA/CD media access method is the means by which two or more stations share a common transmission medium. To transmit, a station waits (defers) for a quiet period on the medium (that is, no other station is transmitting) and then sends the intended message in bit-serial form. If the message collides with that of another station, then each transmitting station intentionally transmits for an additional predefined period to ensure propagation of the collision throughout the system. The station remains silent for a random amount of time (backoff) before attempting to transmit again.

When a transmission attempt has terminated due to a collision, it is retried until it is successful. A controlled randomization process called ‘truncated binary exponential backoff’ determines the scheduling of the retransmissions. At the end of enforcing a collision (jamming), the switch delays before attempting to retransmit the frame. The delay is an integer multiple of slotTime (512 bit times). The number of slot times to delay before the n^{th} retransmission attempt is chosen as a uniformly distributed random integer ‘r’ in the range:

$$0 \leq r < 2^k$$

where:

$k = \min(n, \text{backoffLimit})$. IEEE 802.3 defines the backoffLimit as 10.

7.1.6. InterFrame Gap

The InterFrame Gap is 9.6 μ s for 10Mbps Ethernet and 960ns for 100Mbps Fast Ethernet.

7.1.7. Illegal Frame

Illegal frames such as CRC error packets, runt packets (length < 64 bytes), and oversize packets (length > maximum length), will be discarded.

7.2. Physical Layer Functional Overview

7.2.1. Auto-Negotiation for UTP

The RTL8306M obtains the states of duplex, speed, and flow control ability for each port in UTP mode through the auto-negotiation mechanism defined in the IEEE 802.3 specifications. During auto-negotiation, each port advertises its ability to its link partner and compares its ability with advertisements received from its link partner. By default, the RTL8306M advertises full capabilities (100Full, 100Half, 10Full, 10Half) together with flow control ability. The RTL8306M also advertises the Energy Efficient Ethernet (EEE) capability to the link partner.

7.2.2. 10Base-T Transmit Function

The output 10Base-T waveform is Manchester-encoded before it is driven onto the network media. The internal filter shapes the driven signals to reduce EMI emissions, eliminating the need for an external filter.

7.2.3. 10Base-T Receive Function

The Manchester decoder converts the incoming serial stream to NRZ data when the squelch circuit detects the signal level is above squelch level.

7.2.4. Link Monitor

The 10Base-T link pulse detection circuit continually monitors the RXIP/RXIN pins for the presence of valid link pulses. Auto-polarity is implemented to correct the detected reverse polarity of RXIP/RXIN signal pairs.

7.2.5. 100Base-TX Transmit Function

The 100Base-TX transmit function performs parallel to serial conversion, 4B/5B coding, scrambling, NRZ/NRZI conversion, and MLT-3 encoding. The 5-bit serial data stream after 4B/5B coding is then scrambled as defined by the TP-PMD Stream Cipher function to flatten the power spectrum energy such that EMI effects are significantly reduced.

The scrambled seed is based on PHY addresses and is unique for each port. After scrambling, the bit stream is driven into the network media in the form of MLT-3 signaling. The MLT-3 multi-level signaling technology moves the power spectrum energy from high frequency to low frequency, which further reduces EMI emissions.

7.2.6. 100Base-TX Receive Function

The receive path includes a receiver composed of an adaptive equalizer and DC restoration circuits (to compensate for an incoming distorted MLT-3 signal), an MLT-3 to NRZI and NRZI to NRZ converter to convert analog signals to digital bit-stream, and a PLL circuit to clock data bits with minimum bit error rate. A De-scrambler, 5B/4B decoder, and serial-to-parallel conversion circuits are followed by the PLL circuit. Finally, the converted parallel data is fed into the MAC.

7.2.7. Power-Down Mode

The RTL8306M implements power-down mode on a per-port basis. Setting MII Reg.0.11 forces the corresponding port of the RTL8306M to enter power-down mode. This disables all transmit/receive functions, except SMI (Serial Management Interface: MDC/MDIO, also known as MII Management Interface).

7.2.8. Crossover Detection and Auto Correction

During the link setup phase, the RTL8306M checks whether it receives active signals on every port in order to determine if a connection can be established. In cases where the receiver data pin pair is connected to the transmitter data pin pair of the peer device and vice versa, the RTL8306M automatically changes its configuration and swaps receiver/transmitter data pins as required. If a port is connected to a PC or NIC with MDI-X interface with a crossover cable, the RTL8306M will reconfigure the port to ensure proper connection. This replaces the DIP switch commonly used for reconfiguring a port on a hub or switch.

By setting register EN_AUTOXOVER, the RTL8306M identifies the type of connected cable and sets the port to MDI or MDIX:

- When switching to MDI mode, the RTL8306M uses TXOP/N as transmit pairs.
- When switching to MDIX mode, the RTL8306M uses RXIP/N as transmit pairs.

This function is port-based. Clearing EN_AUTOXOVER disables this function and the RTL8306M operates in MDI mode, in which TXOP/N represents transmit pairs, and RXIP/N represents receive pairs.

Note: IEEE 802.3 compliant forced mode 100M ports with Autoxover have link problems with NWay (Auto-Negotiation) ports. It is recommended to not use Autoxover for forced 100M.

7.2.9. Polarity Detection and Correction

For better noise immunity and lower interference to ambient devices, the Ethernet electrical signal on a twisted-pair cable is transmitted in differential form. That is, the signal is transmitted on two wires in each direction with inverse polarities (+/-). If wiring on the connector is faulty, or a faulty transformer is used, the two inputs to a transceiver may carry signals with opposite but incorrect polarities. As a direct consequence, the transceiver will not work properly.

When the RTL8306M operates in 10Base-T mode, it automatically reverses the polarity of its two receiver input pins if it detects that the polarities of the incoming signals on the pins is incorrect. However, this feature is unnecessary when the RTL8306M is operating in 100Base-TX mode.

7.3. General Function Overview

7.3.1. Power-on Sequence

Two power voltage types are required for RTL8306M normal operation, 3.3V and 1.8V. The constraints shown in Figure 4 should be complied with for reliable power-on initialization.

- Ta is the moment when 1.8V power is higher than 1.33V ($\pm 10\%$). 1.8V power never falls lower than 1.33V ($\pm 10\%$) after Ta
- Tb is the moment when 3.3V power is higher than 2.72V ($\pm 5\%$). 3.3V power never falls lower than 2.72V ($\pm 5\%$) after Tb
- Tc is the moment when both 3.3V and 1.8V power are stable (the voltage is always in the legal operating range; see Table 63, page 86)
- Td is the moment that the pin reset signal is de-asserted
- Te is the moment that the RTL8306M device is ready to be accessed by an external CPU

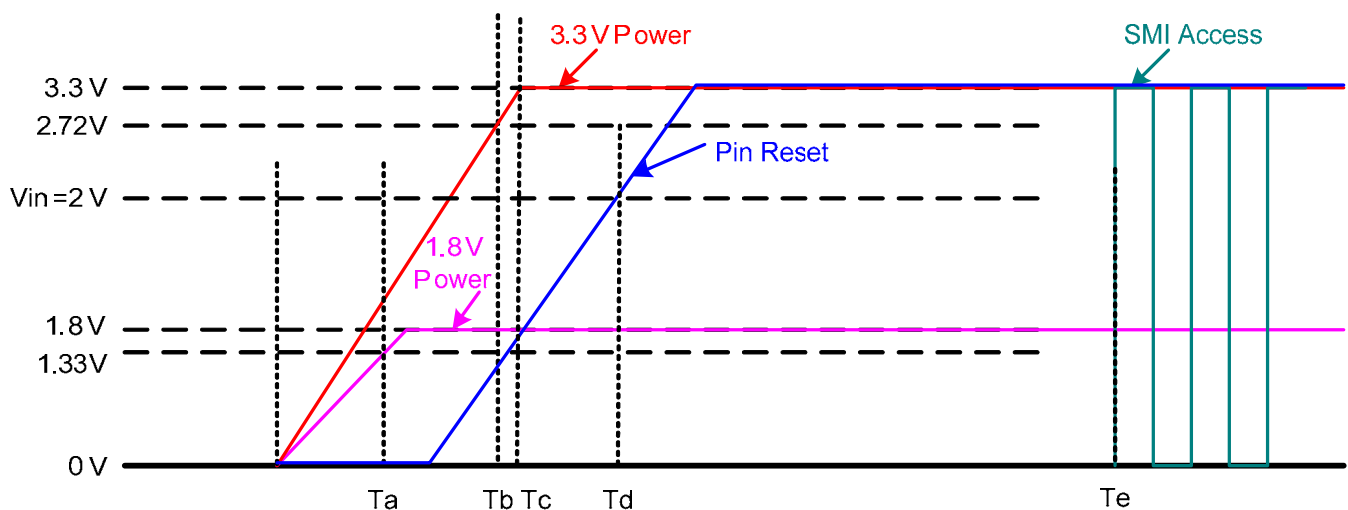


Figure 4. Power-on Sequence

The requirements are:

- The time between the later of Ta/Tb to Tc must not be more than 15ms
- The sequence of Ta and Tb is not required. In principle, the sequence of Td and Ta/Tb/Tc is also not required. The sequence of Td > Tc > Ta/Tb is recommended
- The time from Te to the later of Ta/Tb/Td is the sum of the time of the EEPROM loading + 30ms. The EEPROM loading time varies according to the EEPROM size (see Table 12, page 22), and is determined by the value of the 77th byte data in the serial EEPROM (see section 7.3.4.2, page 26)

Table 12. EEPROM Loading Time

Pin ENEEPROM Value	EEPROM Size Se(Byte)	Loading Time (ms)
0	Irrelevant	0
1	EEPROM Not Available	47
1	128	47
1	256	93
1	512	185

7.3.2. Reset

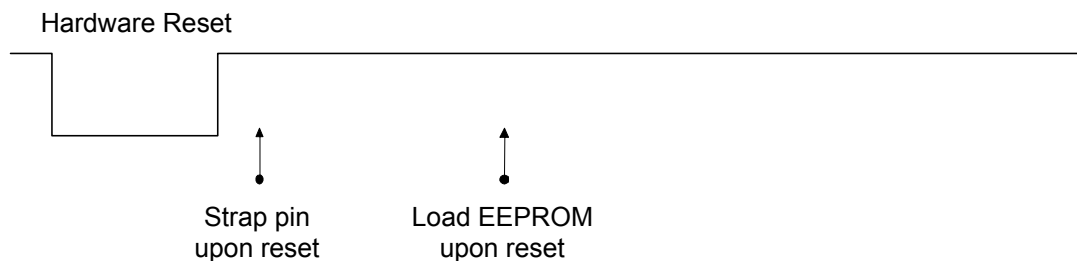
Depending on the type of reset, the whole or just part of the RTL8306M is initialized. There are several ways to reset the RTL8306M:

- Hardware reset for the whole chip by pin RESET# or power-on
- Soft reset for packet buffer, queue, PHY register, and MIB counter by register SoftReset
- PHY software reset for each PHY by register reset

Hardware Reset: Power-on, or pull the RESET# pin low for at least 1 μ s. The RTL8306M resets the whole chip and after all power is ready and RESET# pin is de-asserted it gets initial values from pins and serial EEPROM.

Soft Reset: The RTL8306M does not reset the ACL entry, LUT, and all registers, and does not load data from serial EEPROM and pins to registers. The packet buffer, queue, LED circuit, and MIB counter will be reset. After changing the queue number via SMI (Serial Management Interface), the external device must perform a soft reset in order to update the configuration.

PHY Software Reset: Write bit15 of Reg0 of a PHY as 1. The RTL8306M will then reset this PHY.


Figure 5. Reset

Some setting values for operation modes are latched from those corresponding mode pins upon hardware reset. ‘Upon reset’ is defined as a short time after the end of a hardware reset. Other advanced configuration parameters may be latched from serial EEPROM if pin EnEEPROM=1.

7.3.3. Setup and Configuration

The RTL8306M can be configured easily and flexibly by:

- Hardware pins upon reset
- Optional serial EEPROM upon reset (contact Realtek for detailed EEPROM configuration settings)
- Internal registers (including PHY registers for each port and global MAC registers) accessed via SMI (Serial Management Interface: MDC/MDIO, also known as MII Management Interface)

There are three methods of configuration:

- Only hardware pins for normal switch applications
- Hardware pins and serial EEPROM for advanced switch applications
- Hardware pins and internal registers via SMI for applications with processor

Three types of pins, each with internal pull-high resistors, are used for configuration:

- Input pins used for strapping upon reset (unused after reset)
- Input/Output pins (PRXD[3:0], PRXDV, PRXC) used for strapping upon reset and used as output pins after reset
- Input/Output pins (LED_ACT[3:0]) used for strapping upon reset and used as LED indicator pins after reset. The LED statuses are represented as active-low or high depending on input strapping.

Pins with default value=1 are internal pull-high and use I/O pads. They can be left floating to set the input value as high, but should not be connected to GND without a pull-down resistor.

The serial EEPROM shares two pins, SCL_MDC and SDA_MDIO, with SMI, and is optional for advanced configuration. SCL_MDC and SDA_MDIO are tri-state during hardware reset (pin RESET#=0). The RTL8306M will try to automatically find the serial EEPROM upon reset only if pin EnEEPROM=1.

If the first byte of the serial EEPROM is not 0xFF, the RTL8306M will load all contents of the serial EEPROM into internal registers. Otherwise, the RTL8306M will use the default internal values.

Internal registers can still be accessed after reset via SMI (pin SCL_MDC and SDA_MDIO). Serial EEPROM signals and SMI signals must not exist at the same time.

7.3.4. Serial EEPROM Example: 24LC01/02/04 & 24C01/02/04

Both the 24LC01/02/04 and 24C01/02/04 can be used with the RTL8306M. The interface is a 2-wire serial EEPROM interface providing 1K/2K/4Kbits of storage space. The EEPROM must be 3.3V compatible.

7.3.4.1 24LC01/02/04 & 24C01/02/04 Device Operation

Clock and Data Transitions: The SDA pin is normally pulled high with an external resistor. Data on the SDA pin may change only during SCL low time periods. Data changes during SCL high periods will indicate a start or stop condition as defined below. The SCL frequency is 25kHz.

Start Condition

A high-to-low transition of SDA with SCL high is the start condition and must precede any other command.

Stop Condition

A low-to-high transition of SDA with SCL high is a stop condition.

Acknowledge

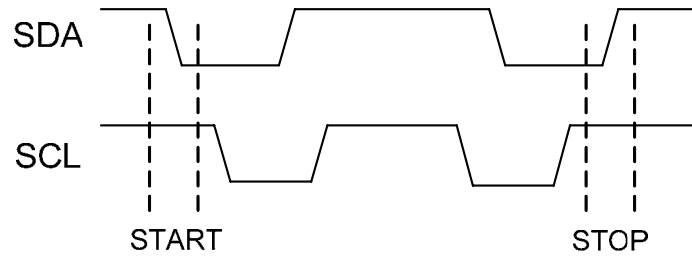
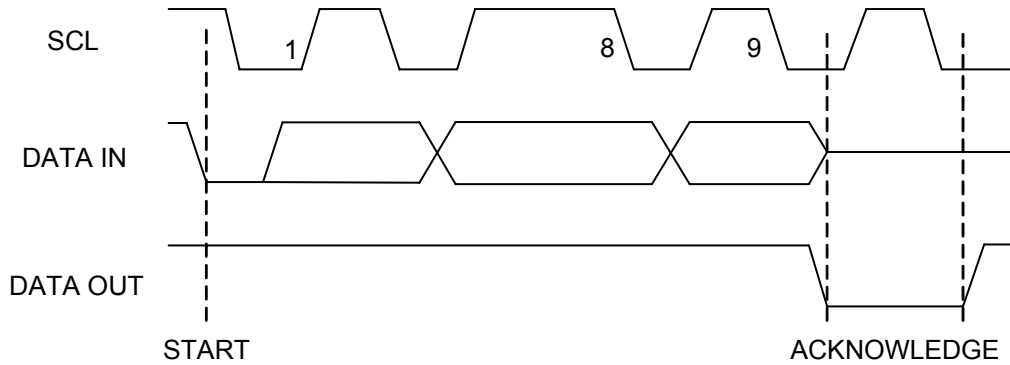
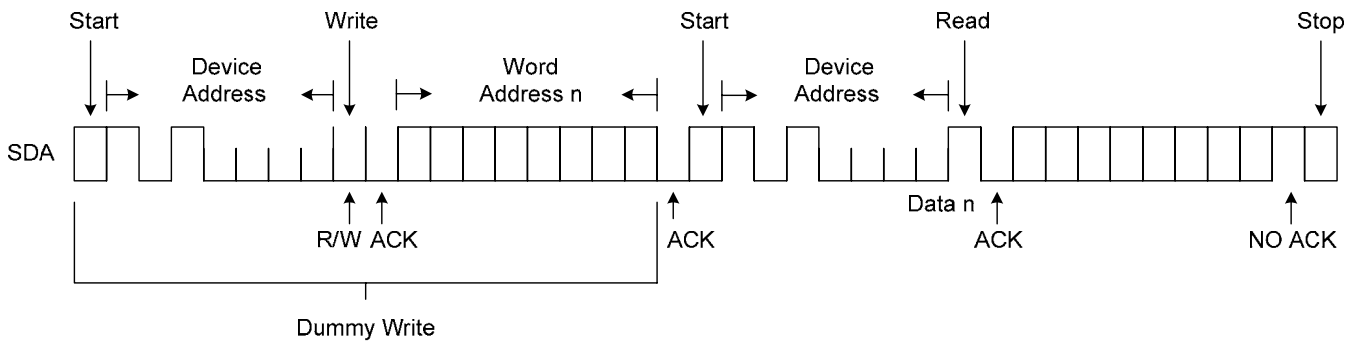
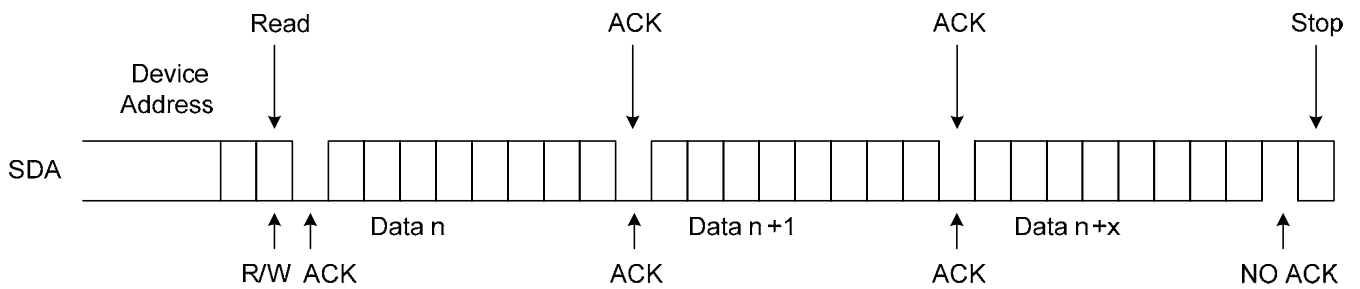
All addresses and data are transmitted serially to and from the EEPROM in 8-bit words. The 24LC01/02/04 / 24C01/02/04 sends a zero to acknowledge that it has received each word. This happens during the ninth clock cycle.

Random Read

A random read requires a ‘dummy’ byte write sequence to load in the data word address.

Sequential Read

For the RTL8306M, the sequential reads are initiated by a random address read. After the 24LC01/02/04 / 24C01/02/04 receives a data word, it responds with an acknowledgement. As long as the 24LC01/02/04 / 24C01/02/04 receives an acknowledgement, it will continue to increment the data word address and clock out sequential data words in series.


Figure 6. Start and Stop Definition

Figure 7. Output Acknowledge

Figure 8. Random Read

Figure 9. Sequential Read

7.3.4.2 EEPROM Size Selection

The RTL8306M supports three serial EEPROM sizes —1k bits, 2k bits, and 4k bits. Via the auto-download operation, the RTL8306M decides the size of the data downloaded to the RTL8306M from the EEPROM according to the value of bit 4 and bit 3 of the 77th byte data in the serial EEPROM.

If the bits 77 [4:3] = 11, it is reserved mode; if the bits 77 [4:3] = 10, 01, or 00, it means the data size is 4k bits, 2k bits, or 1k bits respectively. The value of the two bits should accord with the actual EEPROM data size. For example, the value of the bits 77 [4:3] cannot be ‘10’ when the 24(L)C02 is used.

7.3.5. SMI

The SMI (Serial Management Interface) is also known as the MII Management Interface, and consists of two signals (MDIO and MDC). It allows external devices with SMI master mode (MDC is output) to control the state of the PHY and internal registers (SMI slave mode: MDC is input). MDC is an input clock for the RTL8306M to latch MDIO on its rising edge. The clock can run from DC to 2.5MHz. MDIO is a bi-directional connection used to write data to, or read data from the RTL8306M. The PHY address is from 0 to 6.

Table 13. Basic SMI Read/Write Cycles

	Preamble (32 bits)	Start (2 bits)	OP Code (2 bits)	PHYAD (5 bits)	REGAD (5 bits)	Turn Around (2 bits)	Data (16 bits)	Idle
Read	1.....1	01	10	A ₄ A ₃ A ₂ A ₁ A ₀	R ₄ R ₃ R ₂ R ₁ R ₀	Z0	D ₁₅D ₀	Z*
Write	1.....1	01	01	A ₄ A ₃ A ₂ A ₁ A ₀	R ₄ R ₃ R ₂ R ₁ R ₀	10	D ₁₅D ₀	Z*

*: High-impedance. During idle time MDIO state is determined by an external 1.5KΩ pull-up resistor.

For MDIO Manageable Device (MMD) access, the RTL8306M supports the extended SMI format.

Table 14. Extended SMI Management Frame Format

Frame	PRE	ST	OP	PHYAD	DEVAD	TA	DATA	IDLE
Address	1...1	00	00	AAAAA	EEEEEE	10	AAAAAAAAAAAAAAAAAAAA	Z
Write	1...1	00	01	AAAAA	EEEEEE	10	DDDDDDDDDDDDDDDDDD	Z
Read	1...1	00	11	AAAAA	EEEEEE	Z0	DDDDDDDDDDDDDDDDDD	Z
Post-Read-Increment-Address	1...1	00	10	AAAAA	EEEEEE	Z0	DDDDDDDDDDDDDDDDDD	Z

The RTL8306M supports Preamble Suppression, which allows the MAC to issue Read/Write Cycles without preamble bits. However, for the first cycle of MII management after power-on reset, a 32-bit preamble is needed.

To guarantee the first successful SMI transaction after power-on reset, the external device should delay a few moments (7.3.1 Power-on Sequence, page 21) before issuing the first SMI Read/Write Cycle relative to the rising edge of reset.

7.3.6. Head-Of-Line Blocking

The RTL8306M incorporates a mechanism to prevent Head-Of-Line blocking problems when flow control is disabled. When the flow control function is disabled, the RTL8306M first checks the destination address of the incoming packet. If the destination port is congested, the RTL8306M will discard this packet to avoid blocking the next packet, which is going to a non-congested port.

7.3.7. Filtering/Forwarding Reserved Control Frame

The RTL8306M supports the ability to forward, drop, or trap (to the CPU) the frames of the IEEE 802.1 specified reserved Ethernet multicast addresses.

Reserved Ethernet multicast addresses are illustrated in Table 15.

Table 15. Reserved Ethernet Multicast Addresses

Assignment	Value	Available Action
Bridge Group Address	01-80-C2-00-00-00	D, B (Default), C
IEEE 802.3ad Slow_Protocols-Multicast Address	01-80-C2-00-00-02	D (Default), B, C
IEEE 802.1X PAE Address	01-80-C2-00-00-03	D, B (Default), C
All LANs Bridge Management Group Address	01-80-C2-00-00-10	D, B (Default), C
GMRP Address	01-80-C2-00-00-20	D, B (Default), C
GVRP Address	01-80-C2-00-00-21	D, B (Default), C
Other Addresses 1	01-80-C2-00-00-04~0F	D, B (Default), C
Other Addresses 2	01-80-C2-00-00-xx (xx≠00, 01, 02, 03, 04~0F, 10, 20, 21)	B (Default), C

7.3.8. Loop Detection

Loops should be avoided between switch applications. The simplest loop as shown below results in: 1) Unicast frame duplication; 2) Broadcast frame multiplication; 3) Address table non-convergence. Frames are transmitted from Switch1 to Switch 2 via Link 1, and then returned to Switch 1 via Link 2.

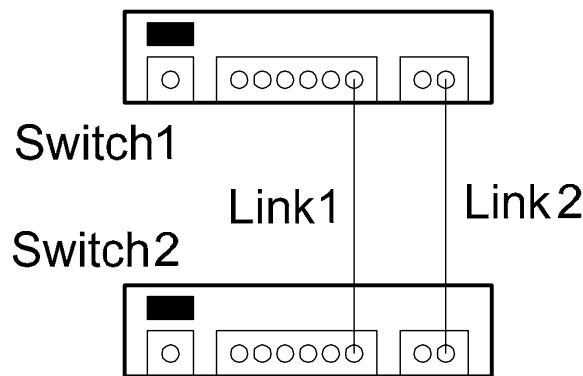


Figure 10. Loop Example

The loop detect function can be enabled/disabled via registers. When the loop detection function is enabled, the RTL8306M sends out a broadcast 64-byte loop frame (the frequency is configured by register) and sniffs for the sent loop frame on each port to detect whether there is a network loop (or bridge loop). If a loop is detected, the RTL8306M will drive the external LED for alarm.

- The LEDs driven by port LED pins (see Table 6, page 12) of the ports on which the network loop is detected will all blink simultaneously

The LEDs will turn on/off simultaneously. In Figure 11, T1 is the turned-off period and T2 is the turned-on period. T1 and T2 are equal and can be configured to 400ms or 800ms.

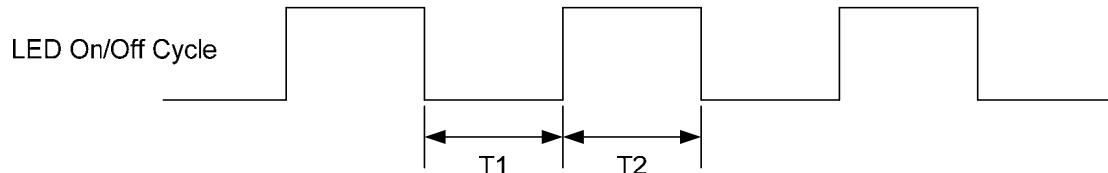


Figure 11. LED and Buzzer Control Signal for Loop Detection

Loop status, LED indications can be cleared when one of the following conditions occurs.

- Loop frame is not detected in the next loop detection period
- The loop port links down
- The loop status clear register is set

The Loop frame length is 64 bytes. Its format is shown below.

Table 16. Loop Frame Format

48-bit	48-bit	16-bit	16-bit	12-bit	4-bit	32-bit	16-bit
FFFF FFFF FFFF	SID	8899	0300	000	TTL	0000	CRC

In order to achieve loop detection, each switch device needs a unique SID (the source MAC address). If an EEPROM is not used, a unique SID should be assigned via SMI after reset. The TTL (Time-To-Live) field is used to avoid a storm triggered by the loop frame. The TTL field in the loop frame will decrease by 1 when it passes through an RTL8306M whose MAC address is not equal to the SID of the loop frame. The RTL8306M will drop a loop frame in which the TTL is the minimum value (0001 is the minimum value. 0000, meaning 16, is the maximum value). The initial value of the TTL field can be configured via SMI or EEPROM.

In Figure 12, device A, B, and C are in a loop. Device D connects to device B. Device D generates a loop frame with an initial TTL value 3 then sends to device B. When the loop frame arrives at device C, the TTL value decreases to 2. It turns to 1 when the loop frame is transmitted to device A, and then the loop frame is dropped by the device A. If device D generates loop frames without the TTL mechanism, the loop frames will cause a storm in the loop of devices A, B, and C. The RTL8306M provides an option to assign high priority to loop frames to reduce the possibility of erroneous loop frame dropping, and thereby enhance loop detection.

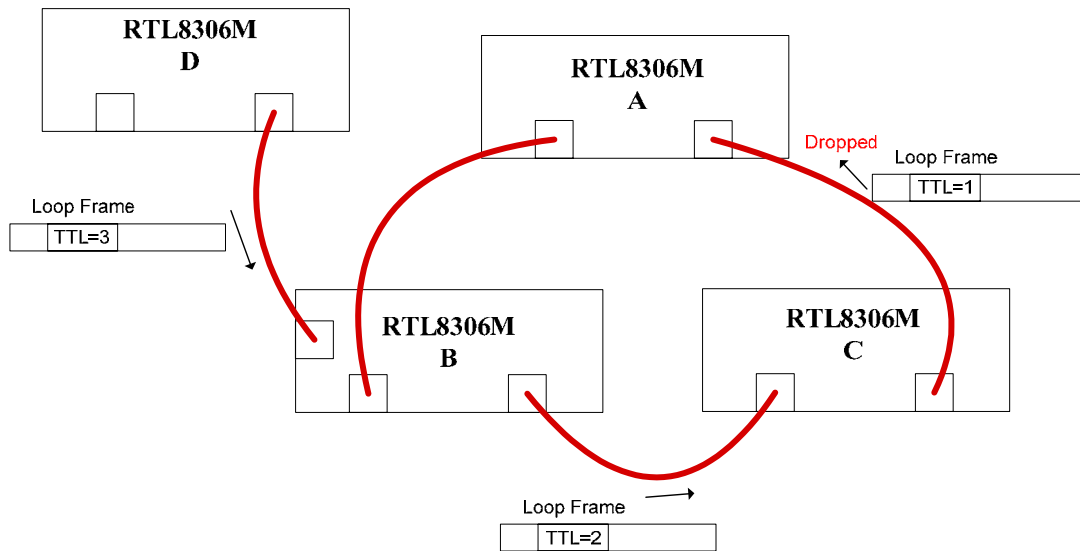


Figure 12. Loop Example 2

7.3.9. MAC Local Loopback Return to External

Each port supports loopback of the MAC (return to external device) for diagnostic purposes.

Example 1: If the internal register, PHY4 (Page 0, 1) Reg.22.13=0 (Local loopback), the RTL8306M will forward local and broadcast packets from the input of Port4 to the output of Port4, and drop unicast packets from the input of Port4. Other ports can still forward broadcast or unicast packets to Port4.

Example 2: If the internal register, PHY3 (Page 0, 1) Reg.22.13=0 (Local loopback), the RTL8306M will forward local and broadcast packets from the input of Port3 to the output of Port3, and drop unicast packets from the input of Port3. Other ports can still forward broadcast or unicast packets to port3.

This is especially useful for router applications performing mass production tests. This function is independent of PHY type and can be done in each mode. Below are two examples: In Example 1 the external device (CPU) is connected to the MII interface of Port4. In Example 2, the external device (CPU) does not have an MII interface, so it uses the PCI interface to connect an RTL8139 to the UTP port of Port4.

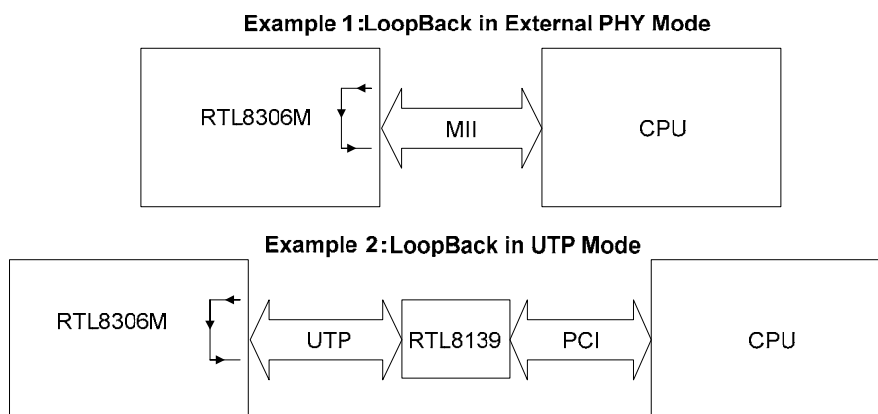


Figure 13. Port4 Loopback

7.3.10. Reg.0.14 PHY Digital Loopback Return to Internal

The digital loopback mode of the PHY (return to internal MAC) may be enabled on a per-port basis by setting MII Reg.0.14 to 1. In digital loopback mode, the TXD of the PHY is transferred directly to the RXD of the PHY, with TXEN changed to CRS_DV, and returns to the MAC via an internal MII. The data stream coming from the MAC will not egress to the physical medium, and an incoming data stream from the network medium will be blocked in this mode. The packets will be looped back in 10Mbps full duplex or 100Mbps full duplex mode. This function is especially useful for diagnostic purposes. For example, a NIC can be used to send broadcast frames into Port0 of the RTL8306M and set Port1 to Reg0.14 Loopback. The frame will be looped back to Port0, so the received packet count can be checked to verify that the switch device is good. In this example, Port0 can be 10M or 100M, and full or half duplex.

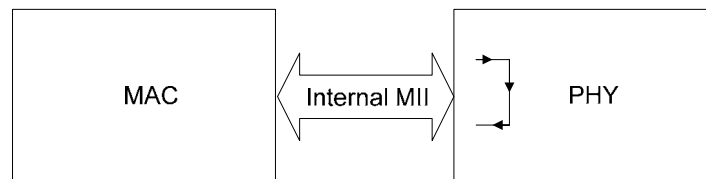


Figure 14. Reg. 0.14 Loopback

As the RTL8306M only supports digital loopback in full duplex mode, PHY Reg.0.8 for each port will always be kept on 1 when digital loopback is enabled. The digital loopback only functions on broadcast packets (DA=FF-FF-FF-FF-FF-FF). In loopback mode, the link LED of the loopback port should always be ON, regardless of what the previous status of this loopback port was.

7.3.11. 1.8V Power Generation

The RTL8306M can use a PNP transistor to generate 1.8V from a 3.3V power supply. This 1.8V is used for the digital core and analog receiver circuits. Do not use one PNP transistor for more than one RTL8306M chip, even if the rating is enough. Use one transistor for each RTL8306M chip.

Do not connect an inductor (bead) directly between the collector of the PNP transistor and AVDD18. This will adversely affect the stability of the 1.8V power to a significant degree.

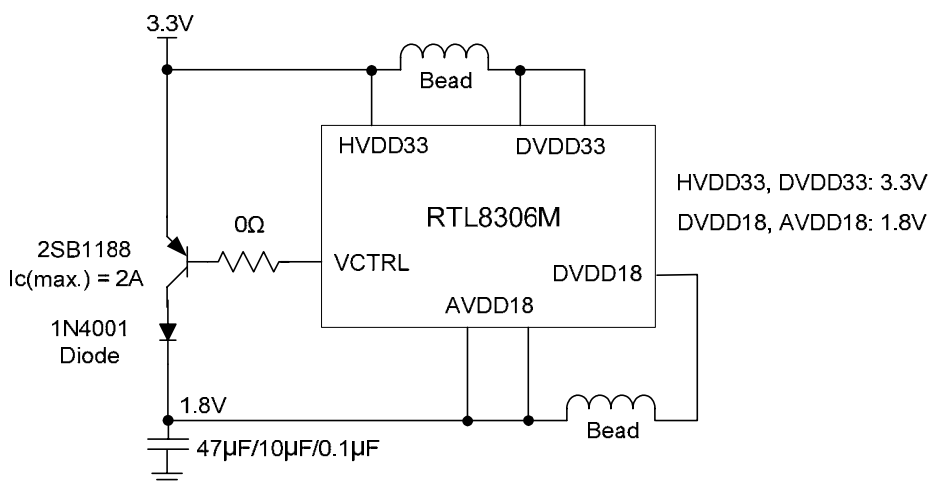


Figure 15. Using a PNP Transistor to Transform 3.3V Into 1.8V

Table 17. An Example Using Power Transistor 2SB1188

Parameter	Symbol	Limits	Unit
Collector-Base Voltage	VCBO	-40	V
Collector-Emitter Voltage	VCEO	-32	V
Emitter-Base Voltage	VEBO	-5	V
Collector Current	IC	-2	A (DC)
Collector Power Dissipation	PC	0.5	W
Junction Temperature	Tj	150	°C
Storage Temperature	Tstg	-55~+150	°C

Note: Absolute maximum ratings (Ta=25 °C).

For more information, refer to <http://www.rohm.com>

7.3.12. Crystal/Oscillator

When using a crystal, the RTL8306M should connect a loading capacitor from each pin of X1 and X2 to ground. Whether using an oscillator or driving an external 25MHz clock from another device, the external clock should be fed into the OSCI pin. The following table shows the requirements of the crystal and oscillator.

Table 18. Crystal and Oscillator Requirements

Nominal Frequency	25.000 MHz
Frequency Tolerance	±50ppm Max.
Temperature Characteristics	±50ppm in Operating Temperature Range
Equivalent Series Resistance of Crystal	50 Ohm Max.
XTALI/OSC Input Clock Jitter Tolerance (in 5KHz to 2.5MHz Range)	250ps Max.
Duty Cycle	40%~60%

8. Advanced Function Description

8.1. ACL Function

The ACL (Access Control List) holds 16 entries. When a packet is received, its source port, destination port (if a TCP or UDP packet) or EtherType code (if a non-IP packet), are recorded and compared to current ACL entries. If they are matched, and if physical port and protocol are also matched, the entry is valid.

In an ACL entry, the physical port bit value of 0b000 to 0b101 represents ports 0~5 of the RTL8306M; the value 0b110 indicates that the entry is invalid; and the value 0b111 means that the entry can be valid whichever port the packet comes from.

For the protocol bit:

- 0b00 indicates an EtherType valid entry
- 0b01 indicates a TCP valid entry
- 0b10 indicates a UDP valid entry
- 0b11 indicates a TCP or UDP valid entry

If a received packet matches multiple entries, the entry with the lower address is valid. If the entry is valid, the action bit and priority bit are applied.

- If the action bit is ‘Drop’, the packet will be dropped
- If the action bit is ‘CPU’, the packet will be trapped to the CPU instead of forwarded to a non-CPU port, except where it has been determined by other rules (other than ACL rules), that it should be dropped
- If the action bit is ‘Permit’, ACL rules will have no effect
- If the action bit is ‘Mirror’, the packet will be forwarded to the mirror port after it is sent to its destination port (the mirror port is the destination port in the port mirror mechanism)

The priority bit will take effect if the action bits are CPU, Permit, or Mirror, and is used to determine the packet queue ID according to the priority assignment mechanism.

8.2. MAC Limit

The RTL8306M supports the capability of limiting the number of MAC addresses that are learned. The learned MAC addresses of each port, and the total learned MAC addresses of any combination of multi ports can be limited. The limit thresholds of each port can be configured independently from 0 to 31; 0 to 127 for multi ports.

There is a counter for each of the limits. The counter will be decremented if a counted MAC address ages out. Deleting or creating entries in the LUT via register setting will not affect these counters. When the MAC limit of port(s) reached, the received packet on the corresponding port, which is not learned or is learned but is not the current ingress port, will be dropped and not be learned.

8.3. Port Isolation

The port isolation function allows the RTL8306M to restrict traffic flow flexibly. The traffic between two physical ports can be isolated independently and simultaneously. When port isolation is enabled, received traffic from these two ports can never be forwarded to the other.

8.4. VLAN Function

8.4.1. Description

The RTL8306M supports 16 VLAN groups with the 16-entry VLAN table (see Table 19 and Table 20). These can be configured as port-based VLANs and/or IEEE 802.1Q tag-based VLANs. The RTL8306M supports VLAN translation and QinQ function, with the mapping information in the VLAN table. The contents of the VLAN table can be configured via SMI or EEPROM. Multiple ingress filtering and egress filtering options provide various VLAN admit rules for the RTL8306M. The RTL8306M also provides flexible VLAN tag insert/remove function based on port and VID.

Table 19. VLAN Table

Index	Content				
0000	VID	MBR	UNTAG SET	PRIORITY	NEW VID
0001	VID	MBR	UNTAG SET	PRIORITY	NEW VID
...
1111	VID	MBR	UNTAG SET	PRIORITY	NEW VID

Table 20. VLAN Entry

Field	Description	Bits
VID	The VLAN ID for search. The VID of the ingress packet will be compared with this field.	12
MBR	VLAN member port set. If the bit in this field is '1', the corresponding port is a member port of the VLAN specified by the VID field.	6
UNTAG SET	VLAN untag set. If the bit in this field is '1', the packet egressing from the corresponding port will be VLAN-untagged.	6
PRIORITY	VID-Based Priority. The priority assigned to all ingress packet of the VLAN specified by the VID field (section 8.6.2.5 12-Bit VLAN ID Priority, page 42).	2
NEW VID	The VLAN ID mapping with the VID field for VLAN translation or QinQ.	12

The main VLAN features of the RTL8306M are as follows:

- Supports up to 16 VLAN groups
- Flexible IEEE 802.1Q port/tag-based VLAN
- VLAN translation
- QinQ function
- Leaky VLAN for ARP broadcast/unicast/multicast packets
- Leaky inter-VLAN mirror function
- VLAN tag Insert/Remove function
- Unmatched VLAN packet trap to CPU function

8.4.2. Port-Based VLAN

If the VLAN function is enabled by register bit DisVLAN, the default VLAN membership configuration by internal register is Port4 overlapped with all the other ports to form four individual VLANs. This default configuration can be modified via an attached serial EEPROM or SMI interface. The 16 VLAN membership registers designed into the RTL8306M provide full flexibility for users to configure the member ports to associate with different VLAN groups in the VLAN table. Each port can join more than one VLAN group.

Port-based VLAN mapping is the simplest implicit mapping rule. Each ingress packet is assigned to a VLAN group based on the input port. It is not necessary to parse and inspect frames in real-time to determine their VLAN association. All the packets received on a given input port will be forwarded to this port's VLAN members. The RTL8306M supports VLAN indexes for each port to individually index this port to one of the 16 VLAN membership registers. A port that is not included in a VLAN's member set cannot transmit packets to this VLAN.

Figure 16 illustrates a typical application. VLAN indexes and VLAN member definitions are set to form two different VLAN groups.

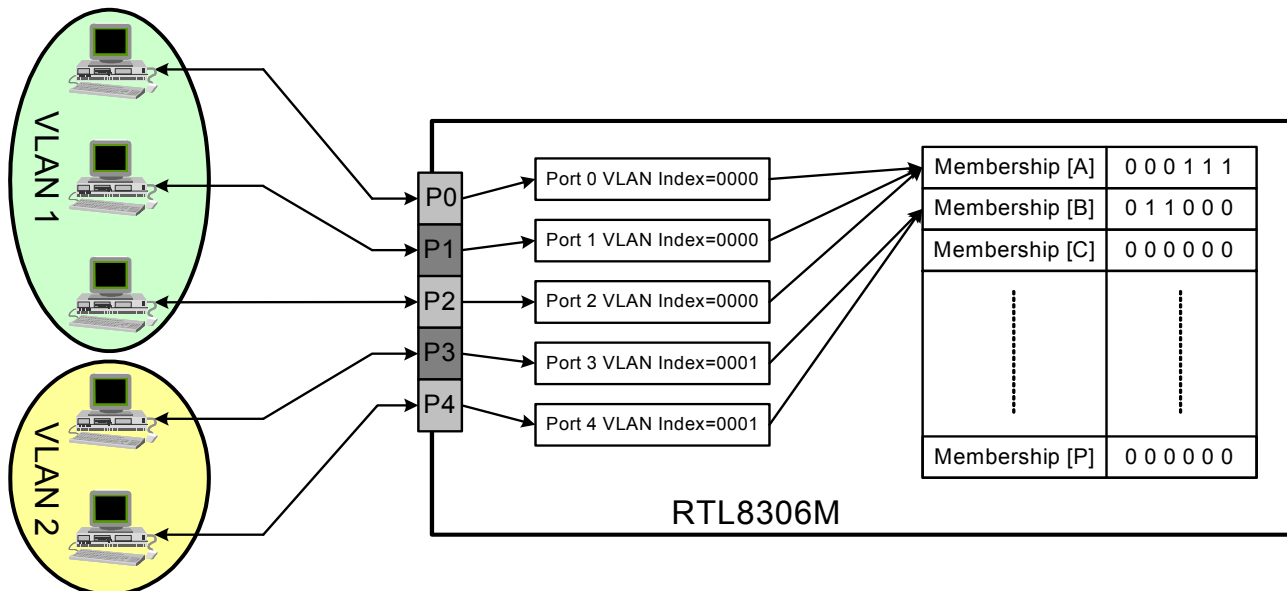


Figure 16. VLAN Grouping Example

The RTL8306M has a Port5 MAC, which can also be a VLAN member. Figure 17 illustrates a typical configuration in a port-based VLAN application that includes the Port5 MAC.

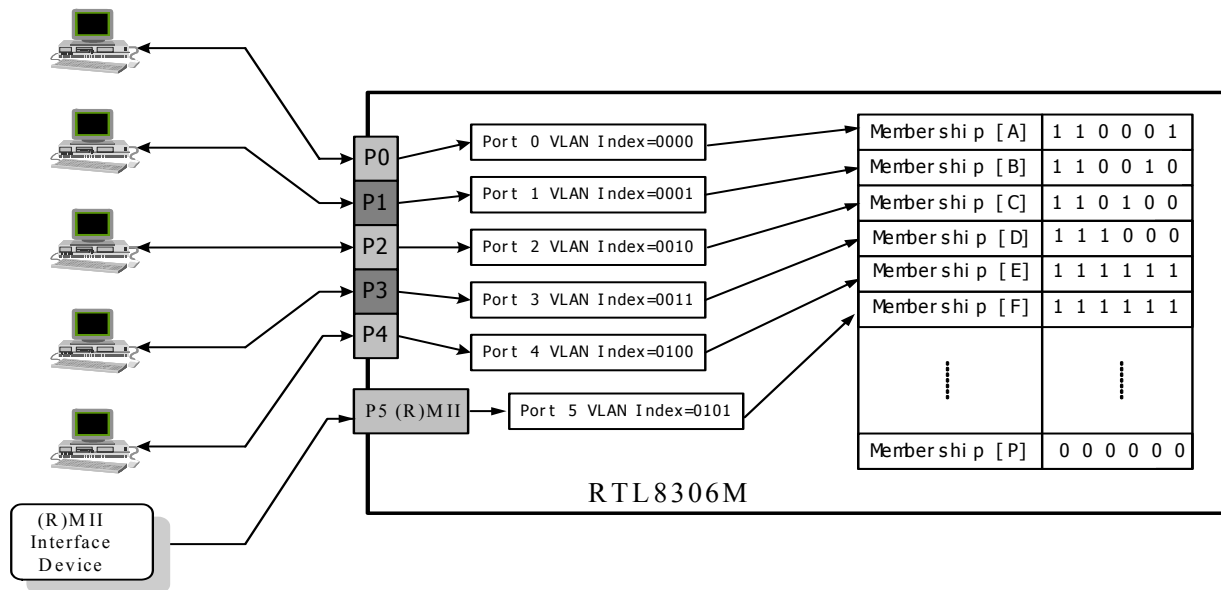


Figure 17. VLAN Grouping with Port5 MAC

For non-VLAN tagged frames, the RTL8306M performs port-based VLAN. The VLAN ID associated with the port-based VLAN index setting is the Port VID (PVID) of this port. The VLAN tag with the ingress port's PVID can be inserted (or replace the VID with a PVID for VLAN-tagged packets) into the packet on egress. The RTL8306M also provides an option to admit VLAN tagged packets with a specific PVID only. When IEEE 802.1Q tag-aware VLAN is enabled, the VLAN tag admit control and non-PVID discard are enabled at the same time. Non-tagged packets and packets with an incorrect PVID will be dropped.

The PVID in the inserted VLAN tag is useful to separate traffic from WAN and LAN sides in Router and Gateway applications. In those applications, the router may want to know which ingress port this packet came from. The RTL8306M supports Port VID (PVID) for each port and can insert a PVID in the VLAN tag on egress. The PVID in the inserted (or replaced) VLAN tag on egress can indicate the source port of the packet. Using this function, VID information carried in the VLAN tag will be changed to PVID. The RTL8306M also provides an option to admit VLAN tagged packets with a specific PVID only. If this function is enabled, it will drop non-tagged packets and packets with an incorrect PVID.

8.4.3. IEEE 802.1Q Tagged-VID Based VLAN

The RTL8306M supports 16 VLAN entries to perform IEEE 802.1Q-tagged VID-based VLAN mapping. The RTL8306M uses a 12-bit explicit identifier in the VLAN tag to associate received packets with a VLAN. If the VID of a VLAN-tagged frame does not match any of the 16 VLAN entries, the RTL8306M will drop the frame if the VLAN packet trap to the CPU port function is not disabled. Otherwise, the RTL8306M compares the explicit identifier in the VLAN tag with the 16 VLAN IDs to determine the VLAN association of this packet, and then forwards this packet to the member set of this VLAN. Two VIDs are reserved for special purposes. One of them is all 1's, which is reserved and currently unused. The other is all 0's, which indicates a priority tag. A priority-tagged frame should be treated as an untagged frame.

When '802.1Q tag aware VLAN' is enabled, the RTL8306M performs 802.1Q tag-based VLAN mapping for tagged frames, but still performs port-based VLAN mapping for untagged frames. If '802.1Q tag aware VLAN' is disabled, the RTL8306M performs only port-based VLAN mapping both on non-tagged and tagged frames.

Figure 18 illustrates the processing flow when '802.1Q tag aware VLAN' is enabled.

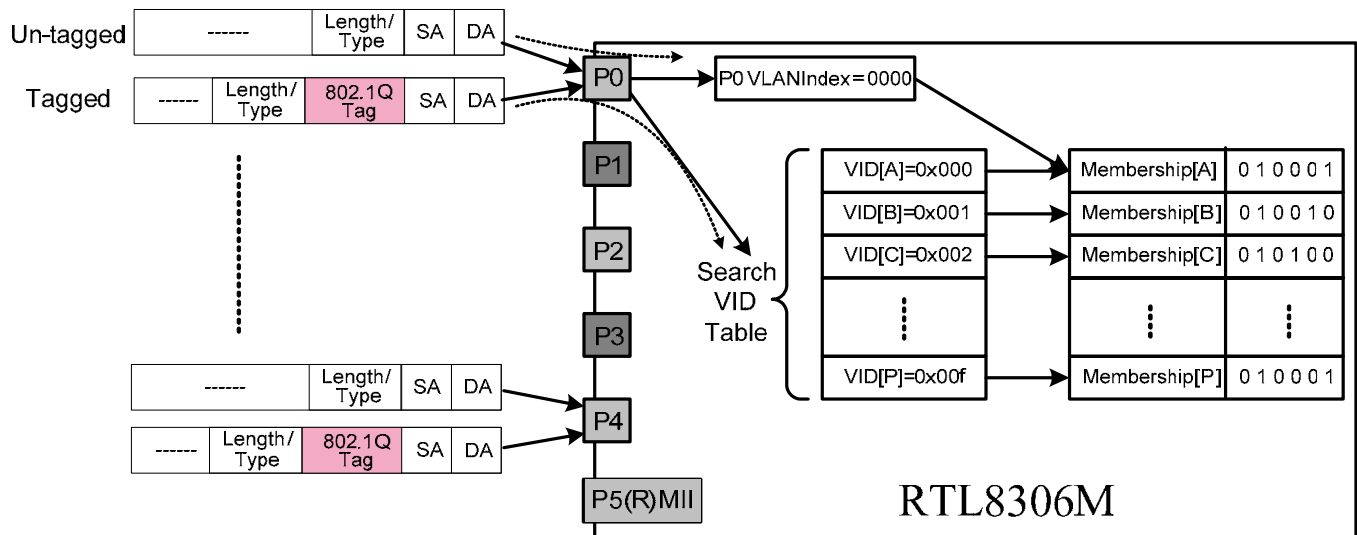


Figure 18. Tagged and Untagged Packet Forwarding when 802.1Q Tag Aware VLAN is Enabled

The RTL8306M supports trapping VLAN-tagged packets to the CPU port when the VID does not match the entry in the VLAN table. With this function and the support of an external CPU, the RTL8306M can expand the VLAN table and support more than 16 VLAN entries. When using this function, the CPU function must be enabled and the CPU port must also be set. The behavior of VLAN packets trapped to the CPU will not follow the VLAN ingress rules (the ingress rule includes both discarding non-PVID, and also ingress filter options).

8.4.4. Insert/Remove/Replace Tag

The RTL8306M supports the VLAN Insertion/Removal/replacing action for each port. The 802.1Q VLAN tags can be inserted, removed, or replaced based on the port's setting.

8.4.5. VLAN Translation

The RTL8306M supports a VLAN translation feature, also known as VLAN mapping or VLAN switching. With the VID-to-VID mapping in each VLAN entry (Table 20), the RTL8306M can translate VLAN IDs from private networks into those used in the service providers' network.

8.4.6. QinQ Function

The RTL8306M supports QinQ function for tagging of already tagged packets. The format of the double-tagged packet is shown in Figure 19. The Tag Protocol Identifiers (TPID) of the inner tag and the outer tag can be configured via registers. When QinQ function is enabled, the RTL8306M will insert or remove an outer tag to the packet

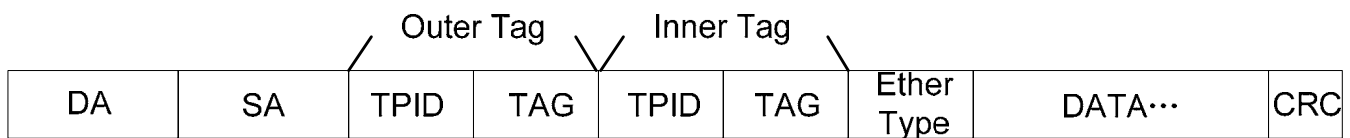


Figure 19. Double-Tagged Packet Format

8.4.7. Ingress and Egress Rules

The RTL8306M provides flexible VLAN ingress and egress rules to permit comprehensive traffic control. The RTL8306M can filter packets on ingress according to the tag condition of the packet. For a normalized VLAN application and VLAN translation application, each of the RTL8306M ports can be independently configured to:

- ‘admit all frames’
- ‘admit only tagged frames’
- ‘admit only untagged frames’

Note: The priority tagged frame (VID=0) will be treated as an untagged frame.

The RTL8306M also can optionally discard a frame associated with a VLAN of which the ingress port is not in the member set.

For the egress filter, the RTL8306M drops the frame if this frame belongs to a VLAN but its egress port is not one of the VLAN's member ports. However, there are 4 leaky options to provide exceptions for special applications.

- ‘Unicast leaky VLAN’ enables inter-VLAN unicast packet forwarding. That is, if the layer 2 lookup table search has a hit, then the unicast packet will be forwarded to the egress port, ignoring the egress rule.

- ‘ARP leaky VLAN’ enables broadcasting of ARP packets to all other ports, ignoring the egress rule.
- ‘Multicast leaky VLAN’ enables inter-VLAN multicast packet forwarding. Packets may be flooded to all the multicast address group member sets, ignoring the VLAN member set domain limitation.
- ‘Inter-VLAN mirror function’ enables the inter-VLAN mirror function, ignoring the VLAN member set domain limitation. The default value is ‘Enable the inter-VLAN mirror’.

8.5. IEEE 802.1p Remarking Function

The RTL8306M provides IEEE 802.1p Remarking ability. Each port can enable or disable IEEE 802.1p Remarking ability.

In addition, there is a RTL8306M global IEEE 802.1p Remarking Table. When one port enables 802.1p Remarking ability, 2-bit priority (not QID) determined by the RTL8306M is mapped to 3-bit priority according to the 1p Remarking Table.

If the port’s 1p remarking function is enabled, transmitting VLAN tagged packets will have the 1Q VLAN tag’s Priority field replaced with the 3-bit 1p remarking Priority.

When the VLAN tags are inserted to non-tagged packets, the inserted tag’s priority will accord with the 1p remarking table, even if the port’s 1p remarking function is disabled. When the VLAN tag is replaced on tagged packets and the 1p remarking function is disabled, the VLAN tag’s VID will be replaced but the priority will not change. For a VLAN-tagged packet, the VID and 3-bit priority can be replaced by the RTL8306M independently.

8.6. QoS Function

8.6.1. Bandwidth Control

8.6.1.1 Introduction

The RTL8306M supports MIN-MAX packet scheduling.

Packet scheduling offers three modes:

- Type I leaky bucket. This specifies the average rate of one queue (see Figure 20; only Q2 and Q3 have leaky bucket; Q0 and Q1 do not). The queue rate can be configured from 0kbps to the line rate in steps of 64kbps
- Weighted Round Robin (WRR). This determines which queue is selected in one slot time to guarantee the minimal packet rate of one queue
- Port bandwidth control (type II leaky bucket) to control the bandwidth of the whole port. The port rate can be configured from 0kbps to the line rate in steps of 64kbps

In addition, the RTL8306M can select one of the two sets of packet-scheduling configurations according to the packet-scheduling mode. Figure 20 shows the RTL8306M packet-scheduling diagram.

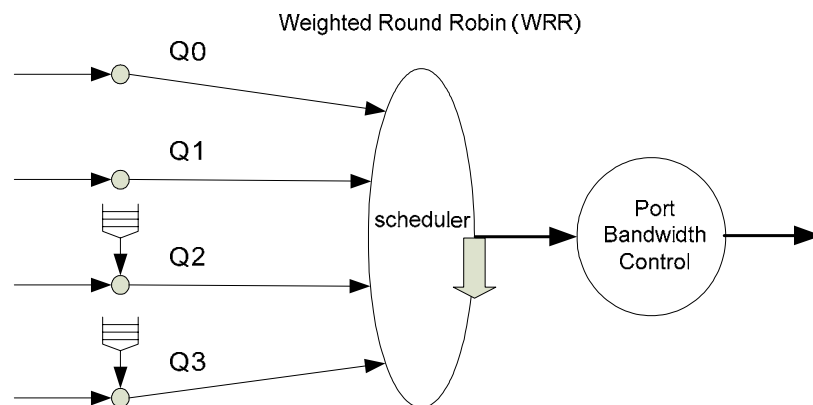


Figure 20. Packet-Scheduling Diagram

Weighted Round Robin (WRR)

WRR adds weighting on the basis of Round Robin; for example, assume Q3:Q2:Q1:Q0: 4:3:2:1, then the transmit order will be:

Q0->
Q1->Q1->
Q2->Q2->Q2->
Q3->Q3->Q3->Q3->

WRR guarantees a minimal packet rate for one queue only.

If there is strict priority (only in Q2 and Q3) and WRR at the same time, the queue with strict priority has higher priority than WRR. When the scheduler scans queues, queues with strict priority are scanned first,

and then the other queues are scanned according to WRR. If there is more than one queue with strict priority, the queue with the bigger QID has higher priority.

8.6.1.2 Input (RX) Bandwidth Control

Input bandwidth control limits the input bandwidth. When input traffic is more than the RX Bandwidth parameter, this port will either send out a ‘pause ON’ frame, or drop the input packet depending on flow control status. The input bandwidth can also be configured from 0kbps to the line rate in steps of 64kbps.

8.6.2. Priority Assignment

Priority assignment specifies the priority of a received packet according to various rules. The RTL8306M can recognize the QoS priority information of incoming packets to give a different egress service priority.

The RTL8306M identifies the priority of packets based on several types of QoS priority information:

- Port-based priority
- IEEE 802.1p/Q VLAN Priority Tag
- DSCP Priority field
- 12-bit VLAN ID
- IP Address
- IGMP/MLD Packet
- CPU Tag
- ACL Priority

Below is a block diagram of the priority assignment.

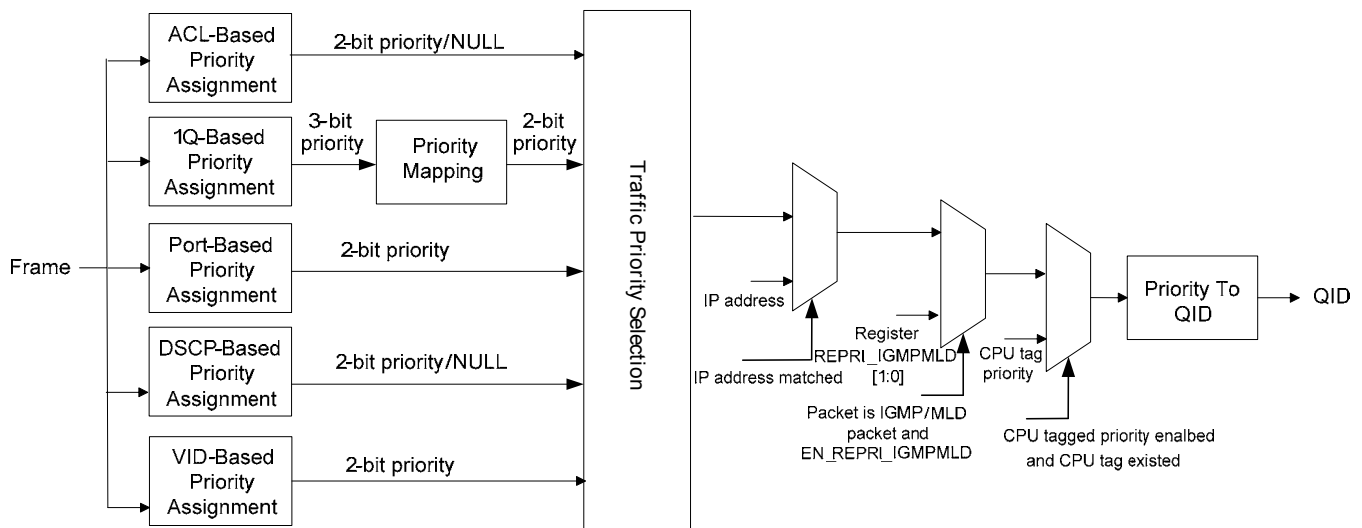


Figure 21. RTL8306M Priority Assignment Diagram

8.6.2.1 Queue Number Selection

In the RTL8306M, the output queue number can be set. All ports follow a global configuration. The maximum number of output queues per port is 4. After changing the queue number via SMI (Serial Management Interface), the external device must perform a soft reset in order to update the configuration.

8.6.2.2 Port-Based Priority Assignment

Each physical port is assigned a 2-bit priority level. Packets received from a high-priority port are sent to the high-priority queue of the destination port. Port-based priority can be disabled by register setting.

8.6.2.3 IEEE 802.1p/Q-Based Priority Assignment

In IEEE 802.1Q-based priority assignment, when a packet is VLAN-tagged or priority-tagged, the 3-bit priority is specified by tag. When a packet is untagged, the 802.1Q-based priority is assigned to the default 2-bit priority information of a physical port. So, each port must provide a default 2-bit priority (every received packet must be assigned a 2-bit 1Q-Based Priority). When the priority comes from a packet, the 1Q-based priority is acquired by mapping 3-bit tag priority to 2-bit priority through an RTL8306M 1Q-based Priority Mapping Table. The 1Q-based priority can be disabled.

8.6.2.4 DSCP-Based Priority Assignment

DSCP (Differentiated Services Code Point)-based priority assignment maps the DSCP of an IP packet to 2-bit priority information through a DSCP to priority table, as DSCP is only in the IP packet. A non-IP packet (such as a Layer 2 frame, ARP, etc) will get a NULL instead of a 2-bit priority. For an IPv6 IP header, DSCP-based priority assignment acquires the DSCP value according to the class of IPv6 header.

In the RTL8306M, DSCP-based priority assignment provides a DSCP to Priority Table of EF (Expected Forwarding), AF (Assured Forwarding), and network control. If the DSCP of a packet is not matched in the table, the DSCP-based priority is 0b00. DSCP-based priority can be disabled by control bit DisDSPri[i]. The RTL8306M provides two sets of registers to set Differential service priority. When they are enabled, the priority value can be set in registers.

8.6.2.5 12-Bit VLAN ID Priority

The 12-bit VLAN ID from an IEEE 802.1Q VLAN tag can be mapped to a 2-bit priority via the 16 VLAN entries. Each RTL8306M VLAN entry includes 2-bit priority field and 12-bit VID that specifies the VID-to-priority mapping. The priority mapping of each entry can be disabled or enabled independently.

When a VID from a VLAN tag (for VLAN-tagged packet) or a port-based VLAN configuration (for untagged packets, see section 8.4.2 Port-Based VLAN, page 35) matches with the VID field of a VLAN entry, the priority in this VLAN entry will be assigned to the packet. If it does not match any VID of the 16 VLAN entries, the RTL8306M also provides a pre-defined priority for the packet.

8.6.2.6 IP Address-Based Priority

When IP-based priority is enabled, any incoming packets with source or destination IP address equal to the configuration in register IP Priority Address [A] and IP Priority Mask [A], or IP Priority Address [B] and IP Priority Mask [B] will be set to a 2-bit priority.

IP priority [A] and IP priority [B] may be enabled or disabled independently. IP address-based priority can be enabled or disabled by the control register.

8.6.2.7 IGMP/MLD-Based Priority

To support the IGMP/MLD snooping function (section 8.11 IGMP & MLD Snooping Function, page 52) effectively, the RTL8306M provides IGMP/MLD-based priority assignment. When enabled, the pre-defined priority will be assigned to all IGMP/MLD packets. It allows the IGMP/MLD packet to be transmitted to a CPU through a high priority queue when IGMP/MLD snooping is enabled.

8.6.2.8 CPU Tag-Based Priority

A packet transmitted from the CPU port may have CPU tag priority assigned in the ‘priority’ field of the CPU tag (see Table 24, page 53). CPU tag-based priority can be enabled via register setting.

There are two limitations for the control bit:

- When CPU tag priority is disabled, the switch controller will only recognize the port-based priority of packets that have both the CPU tag and VLAN tag.
- When CPU tagged-packet awareness is disabled, CPU tag-based priority will not function

8.6.2.9 ACL-Based Priority Assignment

When a received packet matches an ACL entry, the priority of the packet is set to the value of the ACL entry’s priority. The default ACL based priority is 00.

8.6.2.10 Packet Priority Selection

As one received packet may simultaneously support several priority assignment mechanisms, e.g., Port-Based Priority, 1Q-Based Priority, DSCP-Based Priority, and CPU tag-Based Priority, it may get several different priority values.

- If CPU tag-based priority is enabled and the packet has a CPU tag, CPU tag-based priority has highest priority. The final priority is equal to CPU tag-based priority
- If CPU tag-based priority is not enabled, IGMP/MLD priority has the highest priority
- If CPU tag-based priority and IGMP/MLD priority are both disabled, the final priority is equal to the IP address priority
- If CPU tag-based priority, IGMP/MLD priority, and IP address priority are disabled, the following rules are used to decide a final priority for the other five types of priority

There is a 5-bit register for each of the five types of priority that represent the weight of the priority. The higher bit marked '1' in the register indicates a higher weight for the priority

For example, when Weight of port-based priority=00010, Weight of 1Q-based priority=00010, Weight of DSCP priority=00100, Weight of ACL priority=01000, and weight of VID-based priority=10000.

- If it has VID-Based Priority, the final priority is set to VID-Based Priority
- If it has ACL-Based Priority, the final priority is set to ACL-Based Priority
- If it has DSCP-Based Priority (and no ACL-Based Priority), the final priority is set to DSCP-Based Priority
- If there is no VID-based, ACL-based, or DSCP-Based Priority, the priority is decided by the higher of Port-Based Priority and 1Q-Based Priority

	4	3	2	1	0
<i>VID - Based Priority Assignment</i>	1				
<i>Port - Based Priority Assignment</i>				1	
<i>1Q - Based Priority Assignment</i>				1	
<i>ACL - Based Priority Assignment</i>		1			
<i>DSCP - Based Priority Assignment</i>			1		

Figure 22. Packet Priority Selection

The 2-bit priority has four numbers; however, every port has at most four output queues, so every port needs a User Priority to Traffic Class Mapping Table to map the priority to QID. The whole system provides two sets of Traffic Class Mapping Tables. Each port can select one of them according to Traffic Class Mapping mode selection.

Priority	Number of Available Traffic Classes			
	1	2	3	4
0 (default)	0	0	1	1
1	0	0	0	0
2	0	1	1	2
3	0	1	2	3

8.7. Lookup Table Function

8.7.1. Function Description

- 2048-entry lookup table (LUT)
- 1-entry CAM to reduce hash collisions
- 4-way entry for each entry index and 2 hash algorithms to reduce MAC address hash collisions
- 2048-entry lookup table can be accessed by SMI and supports multicast and static addresses
- External Look-Up Table write access has higher priority than switch auto-learning function
- Supports LRU (Least Recently Used) function for lookup table learning

8.7.2. Address Search, Learning, and Aging

Received packets are forwarded according to the information learned or written into the LUT. When a packet is received, the RTL8306M tries to retrieve learned information and assign a forwarding destination port to the packet.

The 48-bit destination MAC address (DA) of the received packet is used to calculate a 9-bit index value. There are two hash algorithms (i.e., two methods to calculate the index) to reduce MAC address hash collisions effectively. One hash algorithm uses 9 bits of the MAC address, {MAC[13:15], MAC[0:5]}, (see the following page). The other algorithm is shown below.

$$\text{Index}[8] = \text{MAC}5 \oplus \text{MAC}12 \oplus \text{MAC}19 \oplus \text{MAC}26 \oplus \text{MAC}33 \oplus \text{MAC}40$$

$$\text{Index}[7] = \text{MAC}6 \oplus \text{MAC}13 \oplus \text{MAC}20 \oplus \text{MAC}27 \oplus \text{MAC}34 \oplus \text{MAC}41$$

$$\text{Index}[6] = \text{MAC}7 \oplus \text{MAC}14 \oplus \text{MAC}21 \oplus \text{MAC}28 \oplus \text{MAC}35 \oplus \text{MAC}42$$

$$\text{Index}[5] = \text{MAC}15 \oplus \text{MAC}22 \oplus \text{MAC}29 \oplus \text{MAC}36 \oplus \text{MAC}43$$

$$\text{Index}[4] = \text{MAC}0 \oplus \text{MAC}23 \oplus \text{MAC}30 \oplus \text{MAC}37 \oplus \text{MAC}44$$

$$\text{Index}[3] = \text{MAC}1 \oplus \text{MAC}8 \oplus \text{MAC}31 \oplus \text{MAC}38 \oplus \text{MAC}45$$

$$\text{Index}[2] = \text{MAC}2 \oplus \text{MAC}9 \oplus \text{MAC}16 \oplus \text{MAC}39 \oplus \text{MAC}46$$

$$\text{Index}[1] = \text{MAC}3 \oplus \text{MAC}10 \oplus \text{MAC}17 \oplus \text{MAC}24 \oplus \text{MAC}47$$

$$\text{Index}[0] = \text{MAC}4 \oplus \text{MAC}11 \oplus \text{MAC}18 \oplus \text{MAC}25 \oplus \text{MAC}32$$

As the 9-bit MAC addresses, MAC[13:15] and MAC[0:5], are not stored in the LUT entries, these MAC address bits should be calculated from the index information via the following method when the hash algorithm is selected.

$$\text{MAC15} = \text{Index}[5] \oplus \text{Index}[22] \oplus \text{Index}[29] \oplus \text{Index}[36] \oplus \text{Index}[43]$$

$$\text{MAC14} = \text{Index}[6] \oplus \text{Index}[7] \oplus \text{Index}[21] \oplus \text{Index}[28] \oplus \text{Index}[35] \oplus \text{Index}[42]$$

$$\text{MAC13} = \text{Index}[7] \oplus \text{Index}[6] \oplus \text{Index}[20] \oplus \text{Index}[27] \oplus \text{Index}[34] \oplus \text{Index}[41]$$

$$\text{MAC5} = \text{Index}[8] \oplus \text{Index}[12] \oplus \text{Index}[19] \oplus \text{Index}[26] \oplus \text{Index}[33] \oplus \text{Index}[40]$$

$$\text{MAC4} = \text{Index}[0] \oplus \text{Index}[11] \oplus \text{Index}[18] \oplus \text{Index}[25] \oplus \text{Index}[32]$$

$$\text{MAC3} = \text{Index}[1] \oplus \text{Index}[10] \oplus \text{Index}[17] \oplus \text{Index}[24] \oplus \text{Index}[47]$$

$$\text{MAC2} = \text{Index}[2] \oplus \text{Index}[9] \oplus \text{Index}[16] \oplus \text{Index}[39] \oplus \text{Index}[46]$$

$$\text{MAC1} = \text{Index}[3] \oplus \text{Index}[8] \oplus \text{Index}[31] \oplus \text{Index}[38] \oplus \text{Index}[45]$$

$$\text{MAC0} = \text{Index}[4] \oplus \text{Index}[23] \oplus \text{Index}[30] \oplus \text{Index}[37] \oplus \text{Index}[44]$$

The hashed index key is used to locate a matching LUT entry. There are 4 entries sharing one index key (Table 21). This is called a 4-way hash. It is helpful to minimize address collisions in the address learning process. The address search engine compares the DA packet with the data in 4 entries, from entry 3 to entry 0, currently in CAM. The final forwarding destination is abstracted from the first matching entry. If the address search fails to return a matching LUT entry, the packet will be flooded to appropriate ports.

Table 21. L2 Table 4-Way Hash Index Method

Index	Entry 0	Entry 1	Entry 2	Entry 3
0x00	MAC Addr 0	MAC Addr 1	MAC Addr 2	MAC Addr 3
0x01	MAC Addr 4	MAC Addr 5	MAC Addr 6	MAC Addr 7
0x02	MAC Addr 8	MAC Addr 9	MAC Addr 10	MAC Addr 11
...
0x1FE	MAC Addr 2040	MAC Addr 2041	MAC Addr 2042	MAC Addr 2043
0x1FF	MAC Addr 2044	MAC Addr 2045	MAC Addr 2046	MAC Addr 2047

Address learning is the gathering process and storing of information from received packets for the future purpose of forwarding frames addressed to the receiving port. The information includes the source MAC address (SA) and the receiving port. As with the hash algorithm, an address search is used in address learning. The SA of the received packet is used to calculate the entry index. The receiving port information and the aging timer of the first matching entry will be updated when an address is learned. If there is no matching entry, the packet's information will be 'learned' into the first empty entry. The SA will not be learned when all of the 4 entries and CAM are occupied. The address learning process can be disabled on a per-port basis via register setting.

For unicast packet learning & search, and multicast packet search, the RTL8306M applies the same 4-way hash algorithm.

Address aging is used to keep the contents of the learned address table updated in a dynamic network topology. The look-up engine will update the aging timer of an entry whenever the corresponding SA appears. An entry will be invalid (aged out) if its aging timer is not refreshed by the address learning process during the aging time period. The aging time of the RTL8306M is between 200 and 350 seconds. The RTL8306M also supports a fast aging function that is used to age all dynamic entries within 1ms.

8.7.3. Lookup and CAM Table Definition

8.7.3.1 Lookup Table Access

All content of each lookup table entry of the RTL8306M can be accessed through SMI, including the destination port ID, aging timer, author properties, etc. All the lookup table entries can be read or written as multicast or unicast entries.

8.7.3.2 Least Recently Used (LRU) Function Description

In traditional switch learning, if a MAC address hash collision occurs and the CAM is full, then the later MAC address in the collision will not be learned into the lookup table. The LRU function attempts to resolve this problem.

When Enable LRU = 0b1, then the LRU function is enabled. If the Source MAC address of the incoming packet encounters a hash collision during the learning process, when the 4-way entries are all occupied and the 1-entry CAM are all full, then the switch will learn the address in one of the 4-way entries using the LRU aging timer. The criteria for selecting the entry to over-write is comparing via the aging timer and choosing the oldest one. If the aging timer of the 4 entries are the same, then the entry with the highest Entry_Address[1:0] value is selected to be over-written.

There are 3-bit registers for the LRU function:

- Enable LRU: Enables or disables this function
- Disable CAM: For optional over-writing of the 4-way entries regardless of CAM status. LRU will directly over-write one of the 4-way entries, even if the CAM is not full
- CAM Full State: Indicates that the CAM is full. When the CAM is full, the signal will be 0b1. When the CAM is not full, the signal will be 0b0

8.8. MIBS Function

8.8.1. MIB Counter Description

The RTL8306M implements five 32-bit MIB Counters on each port for traffic management and diagnostic purposes. The five MIB counters are TX Counter, RX Counter, RX Drop Counter, RX CRC Counter, and RX Fragment Counter. The TX Counter and RX Counter can be byte-based or packet-based for each port. There is also an on-off register for each port to enable or disable/clear MIB Counters. Pause frame on/off is not counted in any condition. These MIB Counters are described below:

- **TX Counter:**
TX byte or packet count. This counter is incremented once for every data byte/packet of a transmitted packet
- **RX Counter:**
RX byte or packet count. This counter is incremented once for every data byte of a received and forwarded good packet. RX byte/packet count includes both forwarded and dropped good packets. For mirror RX forwarded packets, if these are not good packets they will not be counted
- **RX Drop Counter:**
RX drop packet count. Packet drop events could be due to lack of resources, local packet, etc. If the mirror RX function is enabled and the packets are only received by the mirror port, these packets are also included in the mirrored port's dropped packet counter. Packet lengths less than 64 bytes are not included
- **RX CRC Counter:**
RX CRC error packet count. This counter is incremented once for every received packet with a length more than 64 bytes but with a CRC error. Oversize packets are also included in this counter
- **RX Fragment Counter:**
RX fragment, collision, and undersize packet count. These packet lengths are less than 64 bytes

As data can only be read 16-bits at one time, when reading these 32-bit counters through an SMI interface, they should always read low bits (bit [15:0]) first. Both the low 16 bits and high 16 bits are latched, and it should read the high bits register in the immediately following a read cycle.

8.8.2. MIB Counter Enable/Clear

After power on reset, the counters are all reset to 0. A read access of the MIB counter will not reset the counter to 0. When power-on occurs, the counters will be cleared to 0.

A Disable/Enable MIB Counter register is provided for each port. When 'Disable Port x MIB counter' is asserted to 1, the corresponding port's MIB counter will be cleared to 0 and counting stopped. When 'Disable Port x MIB counter' is asserted to 0, the corresponding port's MIB counter is enabled and starts counting.

8.8.3. MIB Counter Timeout

The period of time before the next read of the same counter should not be longer than the counter's timeout. The timeout of the 32-bit MIB counter depends on the object type and the port speed, and is calculated as shown in Table 22.

Table 22. MIB Counter Timeout

Port Speed	MIB Object Type	MIB Counter Timeout (Sec.)
100Mbps	Packet Count	28862
	Byte Count	348
10Mbps	Packet Count	288621
	Byte Count	3481

Note: Packet counter timeout is calculated based on 64-byte packets and byte counter timeout is calculated based on 1518-byte packets.

8.9. Storm Filter Function

8.9.1. Definition

The RTL8306M can effectively control broadcast storms caused by broadcast packets, multicast packets, and unknown DA unicast packets. An option to drop all broadcast packets (DA=ff-ff-ff-ff-ff-ff) sent to the CPU port is also provided. This function reduces the process loading of the CPU.

Note: Broadcast packets discussed here are packets whose DA is ff-ff-ff-ff-ff-ff.

Multicast packets are those whose DA is a multicast address, but excluding 01-80-C2-00-00-xx.

An unknown DA unicast packet is a packet whose DA is a unicast address and is not found in the lookup table of the switch.

Two types of storm filters are available for the RTL8306M. If the interrupt is enabled, there will be an interrupt signal when a storm filter is triggered.

8.9.2. Type 1 Storm Filter

If Type1 storm filter is selected, only consecutive broadcast (or multicast, unknown DA unicast) packets can trigger the filter.

When broadcast (or multicast, unknown DA unicast) storm filtering is enabled, each port of the RTL8306M will permit only 64 (or 256, 128, 32, 16, 8, as determined by register setting) consecutive broadcast (or multicast, unknown DA unicast) packets to be forwarded to other ports in each iteration of about 800ms (or 400ms, 200ms, 100ms, as determined by register setting). The RTL8306M drops all following incoming broadcast (or multicast, unknown DA unicast) packets in the iteration.

The timer is free running. The 64-packet counter counts from the first broadcast (or multicast, unknown DA unicast) packet received and it can be optionally reset to 0 after receiving a non-broadcast (or non-multicast, non-unknown DA unicast) packet. This option enables timer release only for the triggered storm filter. Once enabled, the storm filter can be released only after the storm filter timer times out.

The broadcast storm filter, the multicast storm filter, and the unknown DA unicast storm filter work independently and can be employed simultaneously. For example, if the broadcast storm filter and multicast storm filter are enabled at one time, receiving a multicast packet (DA=01-80-C2-00-00-xx not included) at a specific port will cause the port's broadcast packet counter to reset and to begin counting multicast packets, and vice versa.

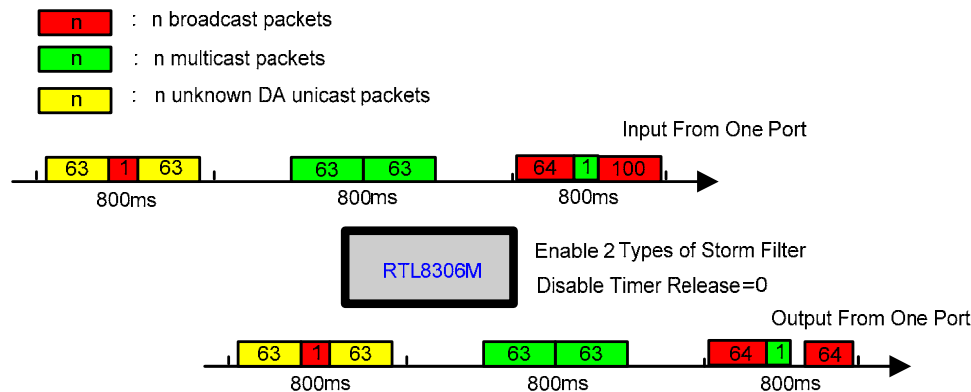


Figure 23. Type 1 Storm Filter Application Example

8.9.3. Type 2 Storm Filter

The Type2 storm filter is used to control the total number of broadcast, multicast, and unknown DA unicast packets in a period of specific duration. Packet consecution is not relevant.

When broadcast (or multicast, unknown DA unicast) storm filtering is enabled, each port of the RTL8306M will permit only 64 (or 256, 128, 32, 16, 8, as determined by register setting) broadcast (or multicast, unknown DA unicast) packets to be forwarded to other ports in each iteration of about 800ms (or 400ms, 200ms, 100ms, as determined by register setting). The RTL8306M drops all following incoming broadcast (or multicast, unknown DA unicast) packets in the iteration.

The broadcast storm filter, the multicast storm filter, and the unknown DA unicast storm filter can be employed simultaneously. For example, if these three storm filters are enabled at one time, the RTL8306M will drop all following packets in the iteration after the total number of these three received packets (for multicast packets, DA=01-80-C2-00-00-xx not included) at a specific port exceeds the configured threshold.

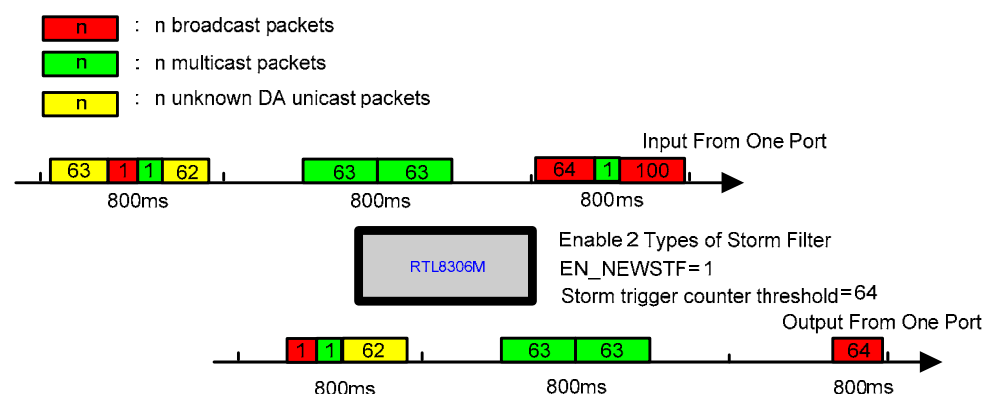


Figure 24. Type 2 Storm Filter Application Example

8.10. CPU Interrupt Function

The RTL8306M supports a CPU interrupt function to inform the CPU of some important interrupt events (Table 23). When this function is enabled, any interrupt event will trigger a level mode and low active interrupt signal on the CPU interrupt pin (Pin 25). The output of the CPU interrupt pin can be optionally disabled.

As there is an interrupt event flag register that records which event occurs, the CPU can get the correct interrupt source through the register. Once the interrupt event flag register is read, the flag bits in it will be self-cleared. The output of the CPU interrupt pin is determined by the interrupt event flag register. It outputs high only when all of the flag bits in the interrupt event flag register are '0'. Otherwise, it outputs low.

There also is an interrupt mask register involved in the function implementation. Any interrupt event can be disabled independently through this register.

Table 23. Interrupt Event Description

Interrupt	Description
CPU Port TX Rate Meter	CPU port transmitting rate is over or below the pre-set threshold (section 0 CPU Port Traffic Rate Monitor, page 62).
Unknown SA	Receiving a packet in which the source MAC address has not previously been learned into the LUT.
Wakeup Frame	Receiving a wakeup frame (section 8.20 Wake-on-LAN, page 62).
Loop Detection	Network loop is detected by the RTL8306M (section 7.3.8 Loop Detection, page 27).
Storm Filter Event	Any storm (broadcast, multicast, and unknown unicast) filter event occurs (section 8.9 Storm Filter Function, page 49).
Link Change	Change PHY0~PHY4 link status from up to down or from down to up.

8.11. IGMP & MLD Snooping Function

The RTL8306M supports IGMP v1/v2/v3 and MLD v1/v2 snooping. The RTL8306M can trap all IGMP and MLD packets to the CPU port. The CPU processes these packets, gets the IP multicast group information of all ports, and writes the correct multicast entry to the lookup table via SMI. The RTL8306M provides an option to drop or broadcast multicast packets when the multicast MAC address does not exist in the lookup table.

IGMP & MLD snooping only operates when the CPU port function is enabled. If the CPU port function and IGMP snooping are both enabled, the RTL8306M traps all packets to the CPU where:

- EtherType is 0x0800 and the protocol field in the IP header is 0x02 (for PPPoE packets the EtherType is 0x8864 and PPP protocol=0x0021)

If the CPU port function and MLD snooping are both enabled, the RTL8306M will trap all packets to the CPU where:

- EtherType is 0x86DD and the next header field in the IPv6 header is 0x00 (for PPPoE packets EtherType is 0x8864 and PPP protocol=0x0057) to CPU

MLD packets have three characteristics:

1. EtherType=0x86DD (2bytes) (for PPPoE packets, EtherType = 0x8864 and PPP protocol = 0x0057)
2. 'Next header' = 0 (1byte) in IPv6 header
3. 'Route alert option' = 0x05020000 (4bytes) in hop-by-hop option header

If a packet matches the first two characteristics, it will be trapped to the CPU. The CPU will then check the 'Route alert option' and other fields to determine whether the packet is an MLD packet.

To avoid a loop condition, IGMP and MLD packets received from the CPU port will never be trapped, even if all options enable trapping action.

A typical application of the RTL8306M IGMP and MLD snooping function is shown in Figure 25.

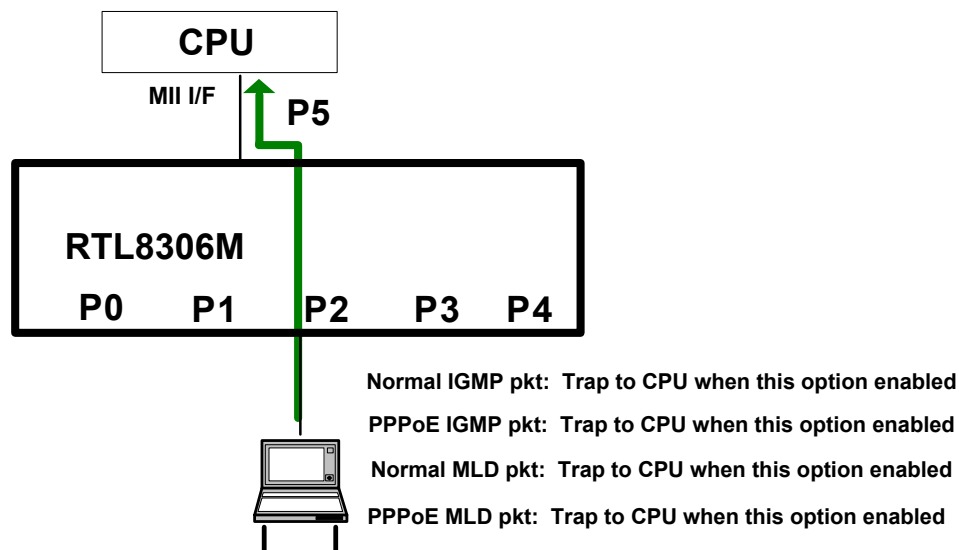


Figure 25. IGMP & MLD Application Example

8.12. CPU Tag Function

The RTL8306M can insert a CPU tag that contains source-port information to the packets sent to the CPU port.

There are four circumstances where the CPU tag is useful:

- The CPU needs the source-port information of the packets trapped to the CPU
- The CPU can use the CPU tag to inform the RTL8306M of the packet's destination port
- The CPU needs to assign specific priority to the packet, or get the final priority information of the packet trapped to the CPU
- The CPU needs to disable the learning ability of the RTL8306M when transmitting some specific traffic to the RTL8306M

The tag format is shown in Table 24.

Table 24. CPU Tag Format

15	8	7				0
Realtek EtherType (2) [0x8899]						
Protocol (4-bit) [0x9]	Priority (2-bit)	Disable/Enable Learning (1-bit)	Reserved (3-bit)	TX/RX (6-bit)		

The CPU tag is inserted behind the packet's SA. The EtherType field of the tag is assigned by register. Its default value is 0x8899, which is a Realtek proprietary number. The following protocol field is fixed to 0x9.

When the RTL8306M inserts a CPU tag to a packet forwarded to the CPU, the priority field will be filled with the packet final priority from the QoS rule.

When the RTL8306M receives a packet with a CPU tag inserted by the CPU, the priority field indicates the CPU-assigned priority for this packet.

When the RTL8306M receives a packet with the CPU tag and the Disable/Enable Learning bit set to '1', it will not perform a LUT learning process for this packet. Note that if the CPU tag was inserted to the packet by the RTL8306M, the Disable/Enable Learning bit will be irrelevant.

The TX/RX field is RX when the CPU tag is inserted by the RTL8306M, and it indicates the packet's source port. The TX/RX field is TX when the CPU tag is inserted by the CPU, and it indicates the packet's destination port. If the TX field is '0', packets can be optionally dropped or forwarded based on the LUT search result.

The bit for TX/RX field to port mapping is shown in Table 25. Writing '1' in the field means the corresponding port is the source port (for RX) or destination port (for TX) of the packet.

Table 25. Bit to Port Mapping in CPU Tag

TX/RX					
MSB					LSB
Port5	Port4	Port3	Port2	Port1	Port0

CPU tag insertion is independent from IGMP & MLD snooping. All packets sent to the CPU port (including any packets unicast or broadcast to the CPU port) can be inserted with a CPU tag when CPU tag insertion is enabled. The RTL8306M also supports inserting a CPU tag into the packet only when the packet is trapped to the CPU (i.e., not normally forwarded to the CPU) due to special setting.

When CPU tag removal is enabled, if the EtherType matches the CPU tag content register and the following 4 bits are 0x9, the RTL8306M will remove the 32 bits following the SA of the packet. The RTL8306M then retrieves the CPU assigned priority in the tag and forwards it with the destination port information in the CPU tag.

There is an option for the RTL8306M to check a CPU-tagged packet's CRC, which can greatly reduce the external CPU's loading. Another configuration option enables or disables CPU tagged-packet awareness.

A typical application of the RTL8306M CPU tag function is shown in Figure 26.

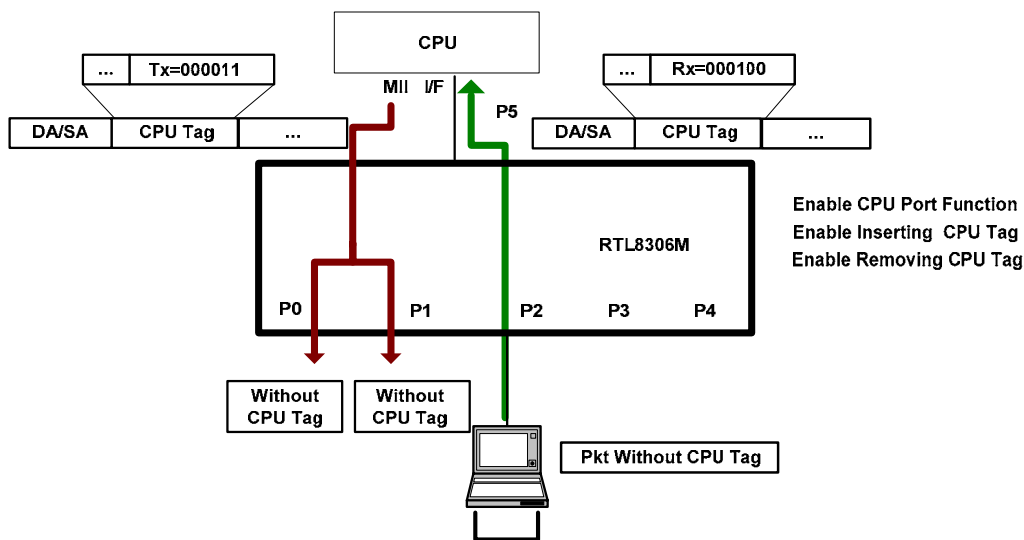


Figure 26. CPU Tag Application Example

8.13. IEEE 802.1x Function

The RTL8306M supports IEEE 802.1x Port-based/MAC-based Access Control.

When port-based access control and MAC-based access control are both enabled, only frames that comply with both port-based access control and MAC-based access control will be forwarded. The IEEE 802.1x Port-based/MAC-based Access Control rules will be ignored for the following two types of packets:

- CPU tagged packets (only when CPU tagged-packet awareness is disabled)
- Reserved control packets (which will be trapped to the CPU)

8.13.1. Port-Based Access Control

When a PC host connects to a RTL8306M-controlled switch, the switch will ask the PC host for authentication. The switch will transmit the information sent by the host to the authentication server for authenticating.

- When the register ‘Port-based Authorization status of 802.1x for Port x’=1, that is, the port is authenticated, its traffic will be normally received or sent
- When the register ‘Port-based Authorization status of 802.1x for Port x’=0, that is, the port is not authenticated, its traffic will not be normally forwarded

The register ‘Direction of 802.1x control for Port x’ decides whether or not the traffic of other ports can be forwarded to the port.

- If ‘Direction of 802.1x control for Port x’=0, packets need to pass 802.1x authorization in the input direction and the output direction for Port-Based Access Control
- If ‘Direction of 802.1x control for Port x’=1, packets only need pass 802.1x authorization in the input direction for Port-Based Access Control. Output direction packets will bypass the 802.1x authorization rule

8.13.2. MAC-Based Access Control

MAC-based access control provides authentication for multiple logical ports. Each logical port represents a source MAC address. There are multiple logical ports for a physical port. When a logical port or a MAC address is authenticated, the DTE using the MAC address has the authorization to access the network. A frame with a source MAC address that is not authenticated by the 802.1x function will be dropped or trapped to the CPU.

When the register bit ‘Enable Mac-based authorization of 802.1x for Port x’=1, it means port n has MAC-based access control ability. In this condition, if a MAC address is authenticated by EAPOL, the ‘Author’ bit in the corresponding lookup table entry should be set to ‘1’, which indicates that the address is authenticated. If a MAC address is unauthenticated, the ‘Author’ bit should be set to ‘0’. A received frame with unauthenticated source MAC address will be dropped or trapped to the CPU, which is determined based on the register ‘Operation of 802.1x unauthorized frame’.

There is another register used for the control of MAC-based access:

- If the register ‘Direction for 802.1x MAC-Based Access Control’=0, the forwarding packets need to pass 802.1x authorization in both the input direction and output direction for MAC-based access control.
- If ‘Direction for 802.1x MAC-Based Access Control’=1, the forwarding packets only need pass 802.1x authorization in the input direction for MAC-based access control.

IEEE 802.1X MAC-based authentication processing is handled by the CPU and the authentication server. When a Source-MAC-Address is authorized, the CPU will write an 802.1X MAC-Based Entry (AUTH=1) into the MAC-Address-Table. The behavior is determined based on Table 26.

Table 26. IEEE 802.1x MAC-Based Entry

MAC-Based	Static	Auth	Description	Aging	Aging Out	Update MBR
0 (Disable)	0	0	General Dynamic Entry	Yes	Yes	Yes
0	0	1	802.1x Dynamic Entry (do not bind host to any specified port)	Yes	No	Yes
0	1	0	General Static Entry	Yes	No	No
0	1	1	802.1x Static Entry (bind host to a specified port)	Yes	No	No
1 (Enable)	0	0	General Dynamic Entry	Yes	Yes	Yes
1	0	1	802.1x Dynamic Entry (do not bind authenticated host to any specified port)	Yes	No	Yes
1	1	0	General Static Entry	Yes	No	No
1	1	1	802.1x Static Entry (bind authenticated host to a specified port)	Yes	No	No

8.14. IEEE 802.1D Function

When using IEEE 802.1D, the RTL8306M supports four status’ for each port:

Disabled

The port will not transmit/receive packets, and will not perform learning.

Blocking

The port will only receive BPDU spanning tree protocol packets, but will not transmit any packets, and will not perform learning.

Learning

The port will receive any packet, including BPDU spanning tree protocol packets, and will perform learning, but will only transmit BPDU spanning tree protocol packets.

Forwarding

The port will transmit/receive all packets, and will perform learning.

The RTL8306M also supports a per-port transmission/reception enable/disable function. Users can control the port state via register.

Behaviors are shown in the following table.

Table 27. Behavior on TX_EN, RX_EN, and PSTAn

A: All packets

B: BPDU packet

D: Disable. RX will not learn; TX will not send any packets

L: Learn all packets, but do not forward

TX_EN	RX_EN	PSTAn	Description
0	0	00	RX (D) TX (D)
		01	RX (D) TX (D)
		10	RX (D) TX (D)
		11	RX (D) TX (D)
0	1	00	RX (D) TX (D)
		01	RX (B) TX (D)
		10	RX (L) TX (D)
		11	RX (A) TX (D)
1	0	00	RX (D) TX (D)
		01	RX (D) TX (D)
		10	RX (D) TX (B)
		11	RX (D) TX (A)
1	1	00	RX (D) TX (D)
		01	RX (B) TX (D)
		10	RX (L) TX (B)
		11	RX (A) TX (A)

8.15. Input & Output Drop Function

If some destination ports are blocking or the buffer is full, the frames to these ports will be dropped.

There are two types of drop:

- Input Drop: Drop the frame directly. Do not forward to any port.
- Output Drop: Forward only to non-blocking ports.

For the RTL8306M, the dropping of broadcast, multicast, and unknown DA frames can be controlled independently.

The Input/Output drop behavior follows the rules shown in Table 28.

Table 28. Behavior According to En_input, En_Bro_input, En_Mul_input, En_UA_input

En_input			
0	En_Bro_input	0	Output Drop
		1	Input Drop
	En_Mul_input	0	Output Drop
		1	Input Drop
	En_UA_input	0	Output Drop
		1	Input Drop
1	En_Bro_input	0	Input Drop
		1	Input Drop
	En_Mul_input	0	Input Drop
		1	Input Drop
	En_UA_input	0	Input Drop
		1	Input Drop

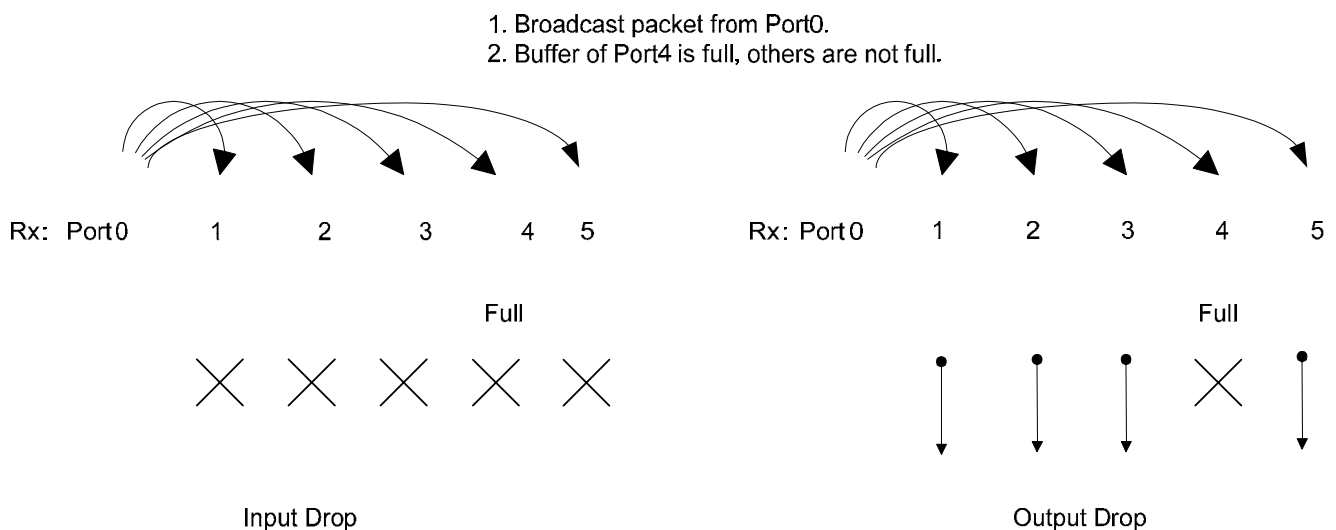


Figure 27. Broadcast Input Drop vs. Output Drop

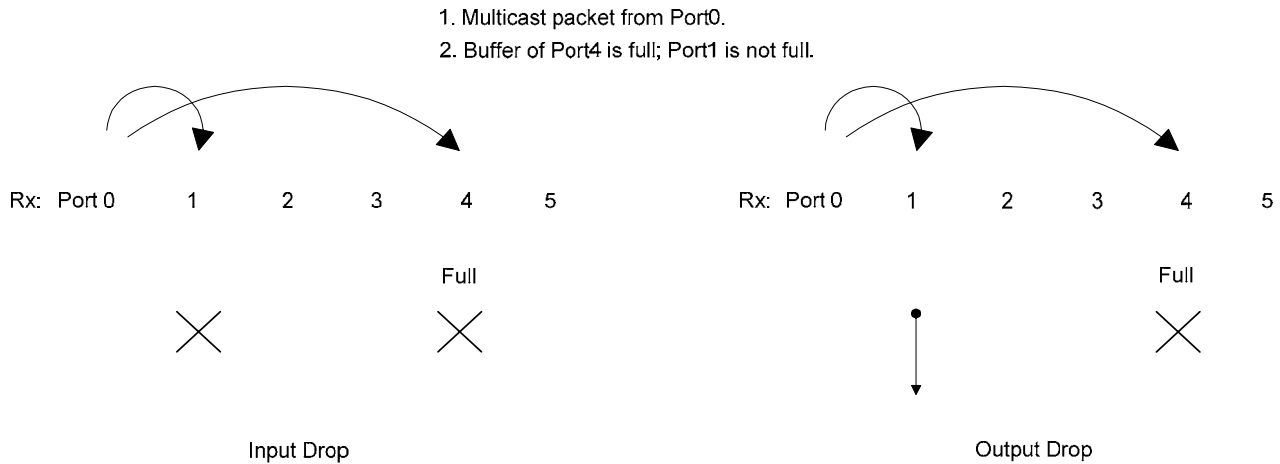


Figure 28. Multicast Input Drop vs. Output Drop

8.16. Port Mirroring

The RTL8306M supports one set of mirroring functions for all 6 ports. The Mirror port can mirror both the TX and RX packets of the mirrored port. When a port is set as mirror port, mirrored packets will be sent to this port. Only one port can be set as mirror port. The mirror port can be selected in Mirror Port ID [2:0]. The mirrored TX port and the mirrored RX port can be selected in Enable mirror port[5:0] TX and Enable mirror port[5:0] RX.

If the mirror port and normal port send packets to mirrored ports at the same time, and mirror self filter is enabled (Enable mirror filter=1), mirrored TX packets will not include packets sent from the mirror port. For example, Port_M mirror port_N TX, Port_N TX packets include packets from port_M and port_L. If Enable mirror filter=1, port_M can only mirror packets from port_L.

If the SA and DA filter function is enabled (Enable mirror function=1), the mirror port can only mirror a TX mirrored port's packets with a matching DA (depending on the Mirrored MAC address [47:0] register setting). The Mirror port can also only mirror an RX mirrored port's packets with a matching SA (depending on the Mirrored MAC address [47:0] register setting).

The mirror port also has the VLAN mirror leaky function. When the mirrored port belong to one VLAN (A), and the mirror port belongs to another VLAN (B), the mirror port can mirror packets inter-VLAN when Disable inter-VLANs mirror function=0.

If the mirror port is not validated, it cannot mirror other ports. If the mirror port has been validated, but the mirrored port TX is not validated, the mirror port can mirror RX, but cannot mirror TX.

If the CPU port is set as mirror port, mirrored packets will have a CPU tag (if CPU tag function is enabled). If the CPU port is set as mirrored port, the mirror port cannot mirror packets with a CPU tag, but can mirror packets without a CPU tag.

When mirroring TX, if one queue by which packets are sent out is full, the Mirror port cannot mirror TX, but can mirror RX.

8.17. LED Function

The RTL8306M provides flexible LED functions for diagnostics. The LEDs can be configured to indicate the link/act information and loop detection information via single-color LEDs. The RTL8306M also provides a CPU controlled LED function. Some registers are defined to control the status of each LED.

Each port has one LED indicator pin. When the CPU controls an LED, each pin's indicator meaning is set by the CPU via the corresponding register.

The LED for each port indicates the port's link/act information when loop-detection is disabled or no loop condition occurs. If the loop is detected on a port, the LED of the port will blink on a specific frequency (see section 7.3.8 Loop Detection, page 27).

The RTL8306M also supports indication of all ports link/act information with one LED pin.

All LED statuses are represented as active-low or high depending on input strapping.

LED_BLINK_TIME determines the LED blinking period for activity (1: 43ms and 0: 120ms).

The LED pins for Port0~3 are dual function pins: input operation for configuration upon reset, and output operation for LED after reset. If the pin input is floating upon reset, the pin output is active low after reset. Otherwise, if the pin input is pulled down upon reset, the pin output is active high after reset.

For detailed descriptions of these pins, refer to Table 6, page 12.

Figure 29 shows example circuits for LEDs. Typical values for pull-down resistors are 10KΩ.

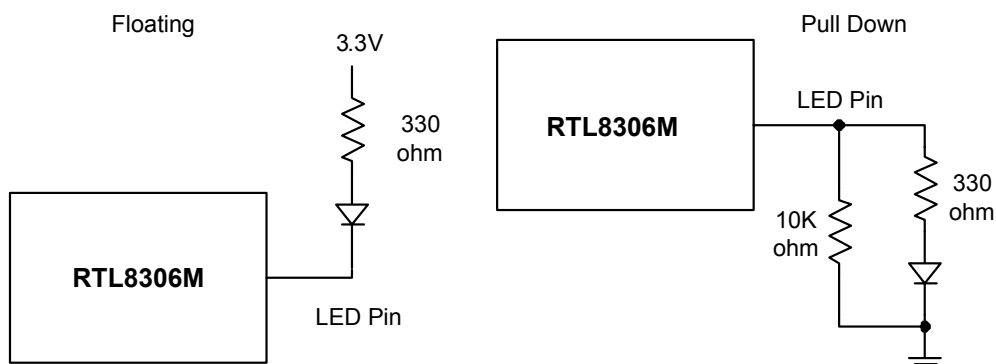


Figure 29. Floating and Pull-Down of LED Pins for Single-Color LED

8.18. Green Ethernet

The RTL8306M provides link-on and dynamic detection of cable length and dynamic adjustment of power required for the detected cable length. This feature provides high performance with minimum power consumption. This function is enabled by default.

8.19. Energy-Efficient Ethernet (EEE)

The RTL8306M supports Energy-Efficient Ethernet (EEE) function as defined in IEEE 802.3az. The EEE function implements the Low Power Idle (LPI) mode at 100Mbps operation to save power during periods of low link utilization. In Low Power Idle mode, devices on both sides of the link disable portions of the functionality to lower the power consumption.

At the transmitter side, the RTL8306M ports 0~4 can automatically enter or quit LPI mode based on their transmission loading. When a port's EEE function is enabled, the transmission loading is monitored in real time. If the transmission loading is lower than a preset threshold, this port's transmit circuit will enter LPI mode during the idle period. When there are packets to be transmitted, this port wakes up and quits LPI mode.

There are two types of wakeup:

- Packets in a high priority queue or a control packet (e.g., a PAUSE frame). These can wake up the port immediately
- Packets in a low priority queue that reach a preset number. A port in LPI mode can be woken up by low priority packets when the number of the cumulated low priority packets exceeds the preset threshold, or a delay timer expires

At the receiver side, each embedded PHY of the RTL8306M will automatically respond to the request from the link partner to enter or quit the LPI mode.

The EEE ability for 100Base-TX on each side of a link should be exchanged via auto-negotiation. Auto-negotiation is mandatory when EEE is supported. The MDIO Manageable Device (MMD), defined in IEEE 802.3, Clause 45, should also be supported, as the EEE register is located in the MMD of each PHY.

The RTL8306M also supports EEE at 10Mbps operation by reducing the transmit amplitude (10Base-Te). 10Base-Te is fully interoperable with 10Base-T PHYs over 100m of Category 5 or better cable.

The EEE function for each port is enabled by default and can be disabled independently via registers or EEPROM configurations.

8.20. Wake-on-LAN (WOL)

The RTL8306M supports the Wake-on-LAN feature to allow the network device to turn off or slow down some circuits not currently in use.

The RTL8306M provides a dedicated pin (SLP_WKP) to turn on/off some parts of circuits, or inform the CPU as an interrupt signal. It can be connected to the control circuit of a power supply or to the CPU interrupt pin. The CPU in the network device will configure the SLP_WKP pin to 'sleep status' (sleep status can optionally be defined as logic high or low) via register and shut-down unused circuits when it enters idle or sleep mode based on light loading or on linkage information.

When a wakeup event occurs, the RTL8306M will switch the status of the SLP_WKP pin automatically to turn on all circuits, or wake up the CPU via the interrupt pin. The wakeup event can be defined as any port's link change from failure to success, or receiving a valid wakeup frame. The ingress and egress port and destination MAC address of the wakeup frame can be specified. The destination MAC address of a valid wakeup frame can be constrained as unicast, only learned unicast, or only the switch MAC address.

8.21. CPU Port Traffic Rate Monitor

Some CPUs support lowering the operating frequency to save power when the loading is light. To achieve this, the RTL8306M provides a traffic rate meter to monitor the CPU port's transmitting traffic loading. When the traffic rate is higher or lower than a pre-defined threshold, the RTL8306M sends an interrupt signal to the CPU so that the CPU can change the operating frequency to suit the loading.

8.22. Cable Diagnosis

The RTL8306M physical layer transceivers use DSP technology to implement the Realtek Cable Tester (RTCT) feature for cable diagnosis. The RTCT feature can detect short, open, or impedance mismatch in both differential pair signal runs, and also indicate the distance (cable length) from the chip to the point on the cable where the short, open, or mismatch condition is detected.

9. Register Descriptions

9.1. Register List

For PHY configuration, register0~5 in PHY0~4 are used for the 1st~5th PHY.

Register0~5 in PHY6 are used for the 6th MAC.

In this section the following abbreviations are used:

RO: Read Only

LH: Latch High until clear

RW: Read/Write

SC: Self Clearing

LL: Latch Low until clear

Table 29. Register Descriptions

Name	PHY	Page	Register	Register Description	Default
Port0 PHY Register	0	0, 1, 2, 3	0	Control Register	0x3100
			1	Status Register	0x7849
			2	PHY Identifier 1	0x001C
			3	PHY Identifier 2	0xC852
			4	Auto-Negotiation Advertisement Register	0x05E1
			5	Auto-Negotiation Link Partner Ability Register	0x0001
		16	Global Control Register 0	0x07FA	
		0, 1	18	Global Control Register 2	0x7FFF
			22	Port0 Control Register 0	0x877F
24	Port0 Control Register 1		0x0ED1		
Port1 PHY Register	1	0, 1, 2, 3	0	Control Register	0x3100
			1	Status Register	0x7849
			2	PHY Identifier 1	0x001C
			3	PHY Identifier 2	0xC852
			4	Auto-Negotiation Advertisement Register	0x05E1
			5	Auto-Negotiation Link Partner Ability Register	0x0001
		0, 1	22	Port1 Control Register 0	0x877F
			24	Port1 Control Register 1	0x1ED2
			Port2 PHY Register	2	0, 1, 2, 3
1	Status Register	0x7849			
2	PHY Identifier 1	0x001C			
3	PHY Identifier 2	0xC852			
4	Auto-Negotiation Advertisement Register	0x05E1			
5	Auto-Negotiation Link Partner Ability Register	0x0001			
0, 1	22	Port2 Control Register 0			0x877F
	23	Global Option Register 1			0x0020
	24	Port2 Control Register 1			0x2ED4

Name	PHY	Page	Register	Register Description	Default
Port3 PHY Register	3	0, 1, 2, 3	0	Control Register	0x3100
			1	Status Register	0x7849
			2	PHY Identifier 1	0x001C
			3	PHY Identifier 2	0xC852
			4	Auto-Negotiation Advertisement Register	0x05E1
			5	Auto-Negotiation Link Partner Ability Register	0x0001
			16	Switch MAC Address	0x5452
		0, 1	17	Switch MAC Address	0x834C
			18	Switch MAC Address	0xC005
			22	Port3 Control Register 0	0x877F
		24	Port3 Control Register 1	0x3ED8	
Port4 PHY Register	4	0, 1, 2, 3	0	Control Register	0x3100
			1	Status Register	0x7849
			2	PHY Identifier 1	0x001C
			3	PHY Identifier 2	0xC852
			4	Auto-Negotiation Advertisement Register	0x05E1
		5	Auto-Negotiation Link Partner Ability Register	0x0001	
		0, 1	22	Port4 Control Register 0	0x877F
			24	Port4 Control Register 1	0x4EDF
PHY Register for Port5 MAC	6	0, 1, 2, 3	0	Control Register	0x2100
			1	Status Register	0x7869
			2	PHY Identifier 1	0x001C
			3	PHY Identifier 2	0xC852
			4	Auto-Negotiation Advertisement Register	0x05E1
		5	Auto-Negotiation Link Partner Ability Register	0x05E1	
		0, 1	22	Port5 Control Register 0	0x073F
24	Port5 Control Register 1		0x8EFF		

9.2. PHY0 Registers

9.2.1. PHY0 Register 0 (Page 0, 1, 2, 3): Control

Table 30. PHY0 Register 0 (Page 0, 1, 2, 3): Control

Reg.bit	Name	Mode	Description	Default
0.15	Reset	RW/SC	1: PHY reset. This bit is self-clearing.	0
0.14	Loopback (Digital loopback)	RW	1: Enable loopback. This will loopback TXD to RXD and ignore all activity on the cable media 0: Normal operation This function is usable only when this PHY is operated in 10Base-T full duplex or 100Base-TX full duplex.	0
0.13	Speed Select	RW	1: 100Mbps 0: 10Mbps When NWay is enabled, this bit reflects the result of auto-negotiation (Read only). When NWay is disabled, this bit can be set through SMI (Read/Write).	1
0.12	Auto Negotiation Enable	RW	1: Enable auto-negotiation process 0: Disable auto-negotiation process This bit can be set through SMI (Read/Write).	1
0.11	Power Down	RW	1: Power down. All functions will be disabled except SMI function 0: Normal operation	0
0.10	Isolate	RW	1: Electrically isolates the PHY from MII. PHY is still able to respond to MDC/MDIO 0: Normal operation	0
0.9	Restart Auto Negotiation	RW/SC	1: Restart Auto-Negotiation process 0: Normal operation	0
0.8	Duplex Mode	RW	1: Full duplex operation 0: Half duplex operation When NWay is enabled (Reg0.12=1), this bit reflects the result of auto-negotiation (Read only). When NWay is disabled (Reg0.12=0, force mode of UTP), this bit can be set through SMI (Read/Write).	1
0.[7:0]	Reserved	-	-	0000 0000

9.2.2. PHY0 Register 1 (Page 0, 1, 2, 3): Status

Table 31. PHY0 Register 1 (Page 0, 1, 2, 3): Status

Reg.bit	Name	Mode	Description	Default
1.15	100Base_T4	RO	0: No 100Base-T4 capability	0
1.14	100Base_TX_FD	RO	1: 100Base-TX full duplex capable 0: Not 100Base-TX full duplex capable	1
1.13	100Base_TX_HD	RO	1: 100Base-TX half duplex capable 0: Not 100Base-TX half duplex capable	1
1.12	10Base_T_FD	RO	1: 10Base-TX full duplex capable 0: Not 10Base-TX full duplex capable	1
1.11	10Base_T_HD	RO	1: 10Base-TX half duplex capable 0: Not 10Base-TX half duplex capable	1
1.[10:7]	Reserved	RO	Reserved.	0000
1.6	MF Preamble Suppression	RO	The RTL8306M will accept management frames with preamble suppressed. (The RTL8306M accepts management frames without preamble. 32 minimum preamble bits are required for the first SMI read/write transaction after reset. One idle bit is required between any two management transactions as defined in IEEE 802.3u).	1
1.5	Auto-negotiate Complete	RO	1: Auto-negotiation process completed. MII Reg.4 and 5 are valid if this bit is set 0: Auto-negotiation process not completed	0
1.4	Remote Fault	RO/LH	1: Remote fault condition detected 0: No remote fault	0
1.3	Auto-Negotiation Ability	RO	1: NWay auto-negotiation capable (permanently =1)	1
1.2	Link Status	RO/LL	1: Link is established. If the link fails, this bit will be 0 until after reading this bit again 0: Link has failed	0
1.1	Jabber Detect	RO/LH	0: No Jabber detected The RTL8306M does not support this function	0
1.0	Extended Capability	RO	1: Extended register capable (permanently =1)	1

9.2.3. PHY0 Register 2 (Page 0, 1, 2, 3): PHY Identifier 1

Table 32. PHY0 Register 2 (Page 0, 1, 2, 3): PHY Identifier 1

Reg.bit	Name	Mode	Description	Default
2.[15:0]	OUI	RO	Composed of the 3 rd to 18 th bits of the Organizationally Unique Identifier (OUI), respectively.	0x001C

9.2.4. PHY0 Register 3 (Page 0, 1, 2, 3): PHY Identifier 2

Table 33. PHY0 Register 3 (Page 0, 1, 2, 3): PHY Identifier 2

Reg.bit	Name	Mode	Description	Default
3.[15:10]	OUI	RO	Assigned to the 19th through 24th bits of the Organizationally Unique Identifier (OUI).	110010
3.[9:4]	Model Number	RO	Manufacturer's model number 05.	000101
3.[3:0]	Revision Number	RO	Manufacturer's revision number 02.	0010

9.2.5. PHY0 Register 4 (Page 0, 1, 2, 3): Auto-Negotiation Advertisement

Table 34. PHY0 Register 4 (Page 0, 1, 2, 3): Auto-Negotiation Advertisement

Reg.bit	Name	Mode	Description	Default
4.15	Next Page	RO	1: Next Page enabled 0: Next Page disabled (Permanently =0)	0
4.14	Acknowledge	RO	Permanently =0	0
4.13	Remote Fault	RW	1: Advertises that the RTL8306M has detected a remote fault 0: No remote fault detected	0
4.12	Reserved	RO	Reserved.	0
4.11	Asym Pause	RW	1: Enable Asymmetric Pause 0: Disable Asymmetric Pause	0
4.10	Pause	RW	1: Advertises that the RTL8306M possesses 802.3x flow control capability 0: No flow control capability	1
4.9	100Base-T4	RO	Technology not supported (Permanently =0)	0
4.8	100Base-TX-FD	RW	1: 100Base-TX full duplex capable 0: Not 100Base-TX full duplex capable	1
4.7	100Base-TX	RW	1: 100Base-TX half duplex capable 0: Not 100Base-TX half duplex capable	1
4.6	10Base-T-FD	RW	1: 10Base-TX full duplex capable 0: Not 10Base-TX full duplex capable	1
4.5	10Base-T	RW	1: 10Base-TX half duplex capable 0: Not 10Base-TX half duplex capable	1
4.[4:0]	Selector Field	RW	[00001]=IEEE 802.3	00001

9.2.6. PHY0 Register 5 (Page 0, 1, 2, 3): Auto-Negotiation Link Partner Ability

Table 35. PHY0 Register 5 (Page 0, 1, 2, 3): Auto-Negotiation Link Partner Ability

Reg.bit	Name	Mode	Description	Default
5.15	Next Page	RO	1: Link partner desires Next Page transfer 0: Link partner does not desire Next Page transfer	0
5.14	Acknowledge	RO	1: Link Partner acknowledges reception of Fast Link Pulse (FLP) words 0: Not acknowledged by Link Partner	0
5.13	Remote Fault	RO	1: Remote Fault indicated by Link Partner 0: No remote fault indicated by Link Partner	0
5.12	Reserved	RO	Reserved.	0
5.11	Asym Pause	RO	1: Enable Asymmetric Pause 0: Disable Asymmetric Pause	0
5.10	Pause	RO	1: Flow control supported by Link Partner 0: Flow control not supported by Link Partner	0
5.9	100Base-T4	RO	1: 100Base-T4 supported by Link Partner 0: 100Base-T4 not supported by Link Partner	0
5.8	100Base-TX-FD	RO	1: 100Base-TX full duplex supported by Link Partner 0: 100Base-TX full duplex not supported by Link Partner When auto negotiation is disabled, this bit will be set if Reg0.13=1 and Reg0.8=1 after link is established.	0
5.7	100Base-TX	RO	1: 100Base-TX half duplex supported by Link Partner 0: 100Base-TX half duplex not supported by Link Partner When auto negotiation is disabled, this bit will be set if Reg0.13=1 and Reg0.8=0 after link is established.	0
5.6	10Base-T-FD	RO	1: 10Base-TX full duplex supported by Link Partner 0: 10Base-TX full duplex not supported by Link Partner When auto negotiation is disabled, this bit will be set if Reg0.13=0 and Reg0.8=1 after link is established.	0
5.5	10Base-T	RO	1: 10Base-TX half duplex supported by Link Partner 0: 10Base-TX half duplex not supported by Link Partner. When auto negotiation is disabled, this bit will be set if Reg0.13=0 and Reg0.8=0 after link is established.	0
5.[4:0]	Selector Field	RO	[00001]=IEEE 802.3	00001

9.2.7. PHY0 Register 16 (Page 0, 1, 2, 3): Global Control 0

Table 36. PHY0 Register 16 (Page 0, 1, 2, 3): Global Control 0

Reg.bit	Name	Mode	Description	Default
16.15	Page selection (Selpage)	RW	[~16.1 16.15] 00: Select the registers in page 0 01: Select the registers in page 1 10: Select the registers in page 2 11: Select the registers in page 3	0
16.[14:8]	Reserved	-	Reserved.	0000111
16.7	EEPROM existence	RO	1: EEPROM does not exist (pin EnEEPROM=0 or pin EnEEPROM=1 but EEPROM does not exist) 0: EEPROM exists (pin EnEEPROM=1 and EEPROM exists)	1
16.6	Reserved	-	Reserved	1
16.5	IEEE 802.3x transmit flow control enable	RW	1: Enable transmit flow control based on auto-negotiation results 0: Will not enable transmit flow control no matter what the auto-negotiation result is <i>Note: This bit is global and has higher priority than NWay result.</i>	1
16.4	IEEE 802.3x receive flow control enable	RW	1: When the RTL8306M receives a pause control frame, it has the ability to stop the next transmission of a normal frame until the timer is expired based on the auto negotiation result 0: Will not flow control received frames no matter what the auto-negotiation result is <i>Note: This bit is global and has higher priority than NWay result.</i>	1
16.3	Reserved	RW	Reserved	1
16.2	Enable loop detection function	RW	1: Enable loop detection function 0: Disable loop detection function	0
16.1	Page selection (Selpage)	RW	[~16.1 16.15] 00: Select the registers in page 0 01: Select the registers in page 1 10: Select the registers in page 2 11: Select the registers in page 3	1
16.0	Reserved	-	Reserved	0

9.2.8. PHY0 Register 18 (Page 0, 1): Global Control 2

Table 37. PHY0 Register 18 (Page 0, 1): Global Control 2

Reg.bit	Name	Mode	Description	Default
18.15	Reserved	-	Reserved.	0
18.14	Maximum Frame Length	RW	1: 1536 Byte 0: 1552 Byte	1
18.[13:10]	Reserved	-	Reserved.	1111
18.9	Enable 48 pass 1	RW	1: 48 pass 1, continuously collides 48 input packets then passes 1 packet to retain system resource and avoid partition in the repeater when the packet buffer is full 0: Continuously collides to avoid packet loss when the packet buffer is full	1
18.[8:7]	Reserved	-	Reserved.	11
18.6	Enable defer	RW	1: Enable carrier sense deferring for half duplex back pressure 0: Disable carrier sense deferring for half duplex back pressure	1
18.5	LED blink time	RW	1: On 43ms, then Off 43ms 0: On 120ms, then Off 120ms	1
18.[4:2]	Reserved	-	Reserved.	111
18.1	Enable power-on blinking	RW	1: Enable power-on LED blinking for diagnosis 0: Disable power-on LED blinking for diagnosis	1
18.0	Reserved	-	Reserved.	1

9.2.9. PHY0 Register 22 (Page 0, 1): Port0 Control Register 0

Table 38. PHY0 Register 22 (Page 0, 1): Port0 Control Register 0

Reg.bit	Name	Mode	Description	Default
22.15	Reserved	-	Reserved.	1
22.14	Reserved	-	Reserved.	0
22.13	Port0 Local loopback	RW	1: Perform 'local loopback', i.e., loop MAC's RX back to TX 0: Normal operation	0
22.[12:11]	Reserved	-	Reserved.	00
22.10	Port0 802.1p priority Disable	RW	1: Disable 802.1p priority classification for ingress packets on port0 0: Enable 802.1p priority classification	1
22.9	Port0 Diffserv priority Disable	RW	1: Disable Diffserv priority classification for ingress packets on port0 0: Enable Diffserv priority classification	1
22.8	Port0 port-based priority Disable	RW	1: Disable port based priority QoS function on port0 0: Enable port based priority QoS function on port0. Ingress packet on port0 will be classified as high priority	1
22.7	SetAsym0	RW	Same as the Register 4.11	0

Reg.bit	Name	Mode	Description	Default
22.6	Port0 auto negotiation Enable	RW	1: Enable port0 auto negotiation 0: Disable port0 auto negotiation, the speed and duplex are decided by bits 5 and 4 of this register	1
22.[5:4]	Port0 Speed and Duplex ability	RW	In Auto-Negotiation Mode 11: MII Reg.0.8=1, 0.13=1, 4.8=1, 4.7=1, 4.6=1, 4.5=1 10: MII Reg.0.8=0, 0.13=1, 4.8=0, 4.7=1, 4.6=1, 4.5=1 01: MII Reg.0.8=1, 0.13=0, 4.8=0, 4.7=0, 4.6=1, 4.5=1 00: MII Reg.0.8=0, 0.13=0, 4.8=0, 4.7=0, 4.6=0, 4.5=1 In Force Mode 11: MII Reg0.8=1, 0.13=1, 4.8=1, 4.7=0, 4.6=0, 4.5=0 10: MII Reg0.8=0, 0.13=1, 4.8=0, 4.7=1, 4.6=0, 4.5=0 01: MII Reg0.8=1, 0.13=0, 4.8=0, 4.7=0, 4.6=1, 4.5=0 00: MII Reg0.8=0, 0.13=0, 4.8=0, 4.7=0, 4.6=0, 4.5=1	11
22.3	Port0 802.3x flow control ability Enable	RW	1: Enable port0 full duplex flow control ability 0: Disable port0 full duplex flow control ability	1
22.2	Port0 Backpressure Enable	RW	1: Enable port0 half duplex backpressure 0: Disable port0 half duplex backpressure	1
22.[1:0]	Reserved	-	Reserved.	11

9.2.10. PHY0 Register 24 (Page 0, 1): Port0 Control Register 1

Table 39. PHY0 Register 24 (Page 0, 1): Port0 Control Register 1

Reg.bit	Name	Mode	Description	Default
24.[15:12]	Reserved	-	Reserved.	0000
24.11	Port0 Transmission Enable	RW	1: Enable packet transmission on port0 0: Disable packet transmission on port0	1
24.10	Port0 Reception Enable	RW	1: Enable packet reception on port0 0: Disable packet reception on port0	1
24.9	Port0 Learning Enable	RW	1: Enable switch address learning capability 0: Disable switch address learning capability	1
24.8	Port0 Loop Status	RO	1: A loop has been detected on port0 0: No loop exists on port0	0
24.7	Port0 Auto Crossover Enable	RW	1: Enable auto crossover detection of port0 0: Disable auto crossover detection of port0	1
24.6	Port0 MDI or MDIX Select	RW	1: Medium interface of port0 is MDI when auto crossover detection is disabled 0: Medium interface of port0 is MDIX when auto crossover detection is disabled	1
24.[5:0]	Reserved	-	Reserved.	01 0001

9.3. PHY1 Registers

9.3.1. PHY1 Register 0 (Page 0, 1, 2, 3): Control

This register has the same definition as PHY0, page 65.

9.3.2. PHY1 Register 1 (Page 0, 1, 2, 3): Status

This register has the same definition as PHY0 Register 1 (Page 0, 1, 2, 3): Status, page 66.

9.3.3. PHY1 Register 2 (Page 0, 1, 2, 3): PHY Identifier 1

This register has the same definition as PHY0 Register 2 (Page 0, 1, 2, 3): PHY Identifier 1, page 66.

9.3.4. PHY1 Register 3 (Page 0, 1, 2, 3): PHY Identifier 2

This register has the same definition as PHY0 Register 3 (Page 0, 1, 2, 3): PHY Identifier 2, page 67.

9.3.5. PHY1 Register 4 (Page 0, 1, 2, 3): Auto-Negotiation Advertisement

This register has the same definition as PHY0 Register 4 (Page 0, 1, 2, 3): Auto-Negotiation Advertisement, page 67.

9.3.6. PHY1 Register 5 (Page 0, 1, 2, 3): Auto-Negotiation Link Partner Ability

This register has the same definition as PHY0 Register 5 (Page 0, 1, 2, 3): Auto-Negotiation Link Partner Ability, page 68.

9.3.7. PHY1 Register 22 (Page 0, 1): Port1 Control Register 0

This register has the same definition as PHY0 Register 22 (Page 0, 1): Port0 Control Register 0, page 70.

9.3.8. PHY1 Register 24 (Page 0, 1): Port1 Control Register 1

Table 40. PHY1 Register 24 (Page 0, 1): Port1 Control Register 1

Reg.bit	Name	Mode	Description	Default
24.[15:12]	Reserved	-	Reserved.	0001
24.11	Port1 Transmission Enable	RW	1: Enable packet transmission on port1 0: Disable packet transmission on port1	1
24.10	Port1 Reception Enable	RW	1: Enable packet reception on port1 0: Disable packet reception on port1	1
24.9	Port1 Learning Enable	RW	1: Enable switch address learning capability 0: Disable switch address learning capability	1
24.8	Port1 Loop Status	RO	1: A loop has been detected on port1 0: No loop exists on port1	0
24.7	Port1 auto crossover Enable	RW	1: Enable auto crossover detection of port1 0: Disable auto crossover detection of port1	1
24.6	Port1 MDI or MDIX Select	RW	1: Medium interface of port1 is MDI when auto crossover detection is disabled 0: Medium interface of port1 is MDIX when auto crossover detection is disabled	1
24.[5:0]	Reserved	-	Reserved.	01 0010

9.4. PHY2 Registers

9.4.1. PHY2 Register 0 (Page 0, 1, 2, 3): Control

This register has the same definition as PHY0 Register 0 (Page 0, 1, 2, 3): Control, page 65.

9.4.2. PHY2 Register 1 (Page 0, 1, 2, 3): Status

This register has the same definition as PHY0 Register 1 (Page 0, 1, 2, 3): Status, page 66.

9.4.3. PHY2 Register 2 (Page 0, 1, 2, 3): PHY Identifier 1

This register has the same definition as PHY0 Register 2 (Page 0, 1, 2, 3): PHY Identifier 1, page 66.

9.4.4. PHY2 Register 3 (Page 0, 1, 2, 3): PHY Identifier 2

This register has the same definition as PHY0 Register 3 (Page 0, 1, 2, 3): PHY Identifier 2, page 67.

9.4.5. PHY2 Register 4 (Page 0, 1, 2, 3): Auto-Negotiation Advertisement

This register has the same definition as PHY0 Register 4 (Page 0, 1, 2, 3): Auto-Negotiation Advertisement, page 67.

9.4.6. PHY2 Register 5 (Page 0, 1, 2, 3): Auto-Negotiation Link Partner Ability

This register has the same definition as PHY0 Register 5 (Page 0, 1, 2, 3): Auto-Negotiation Link Partner Ability, page 68.

9.4.7. PHY2 Register 22 (Page 0, 1): Port1 Control Register 0

This register has the same definition as PHY0 Register 22 (Page 0, 1): Port0 Control Register 0, page 70.

9.4.8. PHY2 Register 23 (Page 0, 1): Global Option Register 1

Table 41. PHY2 Register 23 (Page 0,1): Global Option Register 1

Reg.bit	Name	Mode	Description	Default
23.[15]	FixIFG	RW	0: InterFrame Gap (IFG) compensation 1: Fix IFG to 96-bit	0
23.[14:0]	Reserved	-	Reserved.	0000000100000

9.4.9. PHY2 Register 24 (Page 0, 1): Port2 Control Register 2

Table 42. PHY2 Register 24 (Page 0, 1): Port2 Control Register 2

Reg.bit	Name	Mode	Description	Default
24.[15:12]	Reserved	-	Reserved.	0010
24.11	Port2 Transmission Enable	RW	1: Enable packet transmission on port2 0: Disable packet transmission on port2	1
24.10	Port2 Reception Enable	RW	1: Enable packet reception on port2 0: Disable packet reception on port2	1
24.9	Port2 Learning Enable	RW	1: Enable switch address learning capability 0: Disable switch address learning capability	1
24.8	Port2 Loop Status	RO	1: A loop has been detected on port2 0: No loop exists on port2	0
24.7	Port2 auto crossover Enable (EnAutoMDIX)	RW	1: Enable auto crossover detection of port2 0: Disable auto crossover detection of port2	1
24.6	Port2 MDI or MDIX Select (SELMDI)	RW	1: Medium interface of port2 is MDI when auto crossover detection is disabled 0: Medium interface of port2 is MDIX when auto crossover detection is disabled	1
24.[5:0]	Reserved	-	Reserved.	01 0100

9.5. PHY3 Registers

9.5.1. PHY3 Register 0 (Page 0, 1, 2, 3): Control

This register has the same definition as PHY0, page 65.

9.5.2. PHY3 Register 1 (Page 0, 1, 2, 3): Status

This register has the same definition as PHY0 Register 1 (Page 0, 1, 2, 3): Status, page 66.

9.5.3. PHY3 Register 2 (Page 0, 1, 2, 3): PHY Identifier 1

This register has the same definition as PHY0 Register 2 (Page 0, 1, 2, 3): PHY Identifier 1, page 66.

9.5.4. PHY3 Register 3 (Page 0, 1, 2, 3): PHY Identifier 2

This register has the same definition as PHY0 Register 3 (Page 0, 1, 2, 3): PHY Identifier 2, page 67.

9.5.5. PHY3 Register 4 (Page 0, 1, 2, 3): Auto-Negotiation Advertisement

This register has the same definition as PHY0 Register 4 (Page 0, 1, 2, 3): Auto-Negotiation Advertisement, page 67.

9.5.6. PHY3 Register 5 (Page 0, 1, 2, 3): Auto-Negotiation Link Partner Ability

This register has the same definition as PHY0 Register 5 (Page 0, 1, 2, 3): Auto-Negotiation Link Partner Ability, page 68.

9.5.7. PHY3 Register 16 (Page 0, 1, 2, 3): Switch MAC Address

Table 43. PHY3 Register 16 (Page 0, 1, 2, 3): Switch MAC Address

Reg.bit	Name	Mode	Description	Default
16	Switch MAC Address [47:32]	RW	16.[15:8] = Switch MAC Address Byte 4 16.[7:0] = Switch MAC Address Byte 5	0x5452

9.5.8. PHY3 Register 17~18 (Page 0, 1): Switch MAC Address

Table 44. PHY3 Register 17~18 (Page 0, 1): Switch MAC Address

Reg.bit	Name	Mode	Description	Default
17	Switch MAC Address [31:16]	RW	17.[15:8] = Switch MAC Address Byte 2 17.[7:0] = Switch MAC Address Byte 3	0x834C
18	Switch MAC Address [15:0]	RW	18.[15:8] = Switch MAC Address Byte 0 18.[7:0] = Switch MAC Address Byte 1	0xC005

9.5.9. PHY3 Register 22 (Page 0, 1): Port1 Control Register 0

This register has the same definition as PHY0 Register 22 (Page 0, 1): Port0 Control Register 0, page 70.

9.5.10. PHY3 Register 24 (Page 0, 1): Port3 Control Register 1

Table 45. PHY3 Register 24 (Page 0, 1): Port3 Control Register 1

Reg.bit	Name	Mode	Description	Default
24.[15:12]	Reserved	-	Reserved	0011
24.11	Port3 Transmission Enable	RW	1: Enable packet transmission on port3 0: Disable packet transmission on port3	1
24.10	Port3 Reception Enable	RW	1: Enable packet reception on port3 0: Disable packet reception on port3	1
24.9	Port3 Learning Enable	RW	1: Enable switch address learning capability 0: Disable switch address learning capability	1
24.8	Port3 Loop Status	RO	1: A loop has been detected on port3 0: No loop exists on port3	0

Reg.bit	Name	Mode	Description	Default
24.7	Port3 auto crossover Enable	RW	1: Enable auto crossover detection of port3 0: Disable auto crossover detection of port3	1
24.6	Port3 MDI or MDIX Select	RW	1: Medium interface of port3 is MDI when auto crossover detection is disabled 0: Medium interface of port3 is MDIX when auto crossover detection is disabled	1
24.[5:0]	Reserved	-	Reserved	01 1000

9.6. PHY4 Registers

9.6.1. PHY4 Register 0 (Page 0, 1, 2, 3): Control

This register has the same definition as PHY0, page 65.

9.6.2. PHY4 Register 1 (Page 0, 1, 2, 3): Status

This register has the same definition as PHY0 Register 1 (Page 0, 1, 2, 3): Status, page 66.

9.6.3. PHY4 Register 2 (Page 0, 1, 2, 3): PHY Identifier 1

This register has the same definition as PHY0 Register 2 (Page 0, 1, 2, 3): PHY Identifier 1, page 66.

9.6.4. PHY4 Register 3 (Page 0, 1, 2, 3): PHY Identifier 2

This register has the same definition as PHY0 Register 3 (Page 0, 1, 2, 3): PHY Identifier 2, page 67.

9.6.5. PHY4 Register 4 (Page 0, 1, 2, 3): Auto-Negotiation Advertisement

This register has the same definition as PHY0 Register 4 (Page 0, 1, 2, 3): Auto-Negotiation Advertisement, page 67.

9.6.6. PHY4 Register 5 (Page 0, 1, 2, 3): Auto-Negotiation Link Partner Ability

This register has the same definition as PHY0 Register 5 (Page 0, 1, 2, 3): Auto-Negotiation Link Partner Ability, page 68.

9.6.7. PHY4 Register 22 (Page 0, 1): Port1 Control Register 0

This register has the same definition as PHY0 Register 22 (Page 0, 1): Port0 Control Register 0, page 70.

9.6.8. PHY4 Register 24 (Page 0, 1): Port4 Control Register 1

Table 46. PHY4 Register 24 (Page 0, 1): Port4 Control Register 1

Reg.bit	Name	Mode	Description	Default
24.[15:12]	Reserved	-	Reserved.	0100
24.11	Port4 Transmission Enable	RW	1: Enable packet transmission on port4 0: Disable packet transmission on port4	1

Reg.bit	Name	Mode	Description	Default
24.10	Port4 Reception Enable	RW	1: Enable packet reception on port4 0: Disable packet reception on port4	1
24.9	Port4 Learning Enable	RW	1: Enable switch address learning capability 0: Disable switch address learning capability	1
24.8	Port4 Loop Status	RO	1: A loop has been detected on port4 0: No loop exists on port4	0
24.7	Port4 auto crossover Enable (EnAutoMDIX)	RW	1: Enable auto crossover detection of port4 0: Disable auto crossover detection of port4	1
24.6	Port4 MDI or MDIX Select (SELMDI)	RW	1: Medium interface of port4 is MDI when auto crossover detection is disabled 0: Medium interface of port4 is MDIX when auto crossover detection is disabled	1
24.[5:0]	Reserved	-	Reserved.	01 1111

9.7. PHY6 Registers

9.7.1. PHY6 Register 0 (Page 0, 1, 2, 3): Control

Table 47. PHY6 Register 0 (Page 0, 1, 2, 3): Control

Reg.bit	Name	Mode	Description	Default
0.15	Reset	RO	0: No reset allowed (permanently =0)	0
0.14	Loopback (digital loopback)	RO	0: Normal operation (permanently =0)	0
0.13	Speed Select	RW	1: 100Mbps 0: 10Mbps When NWay is enabled, this bit reflects the result of auto-negotiation (Read only). When NWay is disabled, this bit can be set through SMI (Read/Write).	1
0.12	Auto Negotiation Enable	RW	1: Enable auto-negotiation process 0: Disable auto-negotiation process This bit can be set through SMI (Read/Write).	0
0.11	Power Down	RO	0: Normal operation (permanently =0)	0
0.10	Isolate	RO	0: Normal operation (permanently =0)	0
0.9	Restart Auto Negotiation	RO	0: Normal operation (permanently =0)	0
0.8	Duplex Mode	RW	1: Full duplex operation 0: Half duplex operation When NWay is enabled, this bit reflects the result of auto-negotiation (Read only). When NWay is disabled, this bit may be set through SMI (Read/Write).	1
0.[7:0]	Reserved	-	Reserved.	0000 0000

9.7.2. PHY6 Register 1 (Page 0, 1, 2, 3): Status

Table 48. PHY6 Register 1 (Page 0, 1, 2, 3): Status

Reg.bit	Name	Mode	Description	Default
1.15	100Base_T4	RO	0: No 100Base-T4 capability	0
1.14	100Base_TX_FD	RO	1: 100Base-TX full duplex capable (permanently =1)	1
1.13	100Base_TX_HD	RO	1: 100Base-TX half duplex capable (permanently =1)	1
1.12	10Base_T_FD	RO	1: 10Base-TX full duplex capable (permanently =1)	1
1.11	10Base_T_HD	RO	1: 10Base-TX half duplex capable (permanently =1)	1
1.[10:7]	Reserved	RO	Reserved.	0000
1.6	MF Preamble Suppression	RO	The RTL8306M will accept management frames with preamble suppressed (permanently =1).	1
1.5	Auto-negotiate Complete	RO	1: Auto-negotiation process completed. MII Reg.4, 5 are valid if this bit is set (permanently =1)	1
1.4	Remote Fault	RO	0: No remote fault (permanently =0)	0
1.3	Auto-Negotiation Ability	RO	1: NWay auto-negotiation capable (permanently =1)	1
1.2	Link Status	RO	1: Link is established 0: Link failed	0
1.1	Jabber Detect	RO	0: No Jabber detected (permanently =0)	0
1.0	Extended Capability	RO	1: Extended register capable (permanently =1)	1

9.7.3. PHY6 Register 2 (Page 0, 1, 2, 3): PHY Identifier 1

Table 49. PHY6 Register 2 (Page 0, 1, 2, 3): PHY Identifier 1

Reg.bit	Name	Mode	Description	Default
2.[15:0]	OUI	RO	Composed of the 3rd to 18th bits of the Organizationally Unique Identifier (OUI), respectively.	0x001C

9.7.4. PHY6 Register 3 (Page 0, 1, 2, 3): PHY Identifier 2

Table 50. PHY6 Register 3 (Page 0, 1, 2, 3): PHY Identifier 2

Reg.bit	Name	Mode	Description	Default
3.[15:10]	OUI	RO	Assigned to the 19th through 24th bits of the OUI.	1100 10
3.[9:4]	Model Number	RO	Manufacturer's model number 05.	00 0101
3.[3:0]	Revision Number	RO	Manufacturer's revision number 02.	0010

9.7.5. PHY6 Register 4 (Page 0, 1, 2, 3): Auto-Negotiation Advertisement

Table 51. PHY6 Register 4 (Page 0, 1, 2, 3): Auto-Negotiation Advertisement

Reg.bit	Name	Mode	Description	Default
4.15	Next Page	RO	1: Next Page enabled 0: Next Page disabled (Permanently =0)	0
4.14	Acknowledge	RO	Permanently =0.	0
4.13	Remote Fault	RO	1: Advertises that the RTL8306M has detected a remote fault 0: No remote fault detected	0
4.[12:11]	Reserved	RO	Reserved.	00
4.10	Pause	RW	1: Advertises that the RTL8306M possesses 802.3x flow control capability 0: No flow control capability	1
4.9	100Base-T4	RO	Not supported (Permanently =0).	0
4.8	100Base-TX-FD	RW	1: 100Base-TX full duplex capable 0: Not 100Base-TX full duplex capable	1
4.7	100Base-TX	RW	1: 100Base-TX half duplex capable 0: Not 100Base-TX half duplex capable	1
4.6	10Base-T-FD	RW	1: 10Base-TX full duplex capable 0: Not 10Base-TX full duplex capable	1
4.5	10Base-T	RW	1: 10Base-TX half duplex capable 0: Not 10Base-TX half duplex capable	1
4.[4:0]	Selector Field	RO	[00001]=IEEE 802.3.	0 0001

9.7.6. PHY6 Register 5 (Page 0, 1, 2, 3): Auto-Negotiation Link Partner Ability

Table 52. PHY6 Register 5 (Page 0, 1, 2, 3): Auto-Negotiation Link Partner Ability

Reg.bit	Name	Mode	Description	Default
5.15	Next Page	RO	1: Link partner desires Next Page transfer 0: Link partner does not desire Next Page transfer	0
5.14	Acknowledge	RO	1: Link Partner acknowledges reception of Fast Link Pulse (FLP) words 0: Not acknowledged by Link Partner	0
5.13	Remote Fault	RO	1: Remote Fault indicated by Link Partner 0: No remote fault indicated by Link Partner	0
5.[12:11]	Reserved	RO	Reserved.	00
5.10	Pause	RO	1: Flow control supported by Link Partner 0: Flow control not supported by Link Partner	1
5.9	100Base-T4	RO	1: 100Base-T4 supported by Link Partner 0: 100Base-T4 not supported by Link Partner	0
5.8	100Base-TX-FD	RO	1: 100Base-TX full duplex supported by Link Partner 0: 100Base-TX full duplex not supported by Link Partner When auto negotiation is disabled, this bit will be set if Reg0.13=1 and Reg0.8=1 after link is established.	1
5.7	100Base-TX	RO	1: 100Base-TX half duplex supported by Link Partner 0: 100Base-TX half duplex not supported by Link Partner When auto negotiation is disabled, this bit will be set if Reg0.13=1 and Reg0.8=0 after link is established.	1
5.6	10Base-T-FD	RO	1: 10Base-TX full duplex supported by Link Partner 0: 10Base-TX full duplex not supported by Link Partner When auto negotiation is disabled, this bit will be set if Reg0.13=0 and Reg0.8=1 after link is established.	1
5.5	10Base-T	RO	1: 10Base-TX half duplex supported by Link Partner 0: 10Base-TX half duplex not supported by Link Partner When auto negotiation is disabled, this bit will be set if Reg0.13=0 and Reg0.8=0 after link is established.	1
5.[4:0]	Selector Field	RO	[00001]=IEEE 802.3	00001

9.7.7. PHY6 Register 22 (Page 0, 1): Port5 Control Register 0

Table 53. PHY6 Register 22 (Page 0, 1): Port5 Control Register 0

Reg.bit	Name	Mode	Description	Default
22.15	Port5 link status	RW	1: Port5 link up and Reg1.2=1 0: Port5 link down and Reg1.2=0 Whenever this bit changes, the PHY6 Reg1.2 will change simultaneously.	0
22.14	Reserved	-	Reserved.	0
22.13	Port5 Local loopback	RW	1: Perform 'local loopback', i.e., loop MAC's RX back to TX 0: Normal operation	0
22.12	Port5 Null VID replacement	RW	1: The switch will replace a NULL VID with a port VID (12-bits) 0: No replacement for a NULL VID	0
22.11	Port5 Non PVID packets Discard	RW	1: If the received packets are tagged, the switch will discard packets whose VID does not match ingress port default VID, which is indexed by port5's 'Port based VLAN index' 0: No packets will be dropped	0
22.10	Port5 802.1p priority Disable	RW	1: Disable 802.1p priority classification for ingress packets on port5 0: Enable 802.1p priority classification	1
22.9	Port5 Diffserv priority Disable	RW	1: Disable Diffserv priority classification for ingress packets on port5 0: Enable Diffserv priority classification	1
22.8	Port5 port-based priority Disable	RW	1: Disable port-based priority QoS function on port5 0: Enable port-based priority QoS function on port5. Ingress packets on port5 will be classified as high priority	1
22.7	Reserved	RO	Permanently 0.	0
22.6	Port5 auto negotiation Enable	RW	1: Enable port5 auto negotiation 0: Disable port5 auto negotiation, the speed and duplex are decided by bit 5 and 4 of this register Whenever this bit changes, the PHY6 Reg0.12 will change simultaneously.	0
22.[5:4]	Port5 Speed and Duplex ability	RW	11: MII Reg0.8=1, 0.13=1, 4.8=1, 4.7=0, 4.6=0, 4.5=0 10: MII Reg0.8=0, 0.13=1, 4.8=0, 4.7=1, 4.6=0, 4.5=0 01: MII Reg0.8=1, 0.13=0, 4.8=0, 4.7=0, 4.6=1, 4.5=0 00: MII Reg0.8=0, 0.13=0, 4.8=0, 4.7=0, 4.6=0, 4.5=1 Whenever bits 22.[5:4] change, the corresponding bits will change simultaneously.	11
22.3	Port5 802.3x flow control ability Enable	RW	1: Enable port5 full duplex flow control ability 0: Disable port5 full duplex flow control ability Whenever its status changes, PHY6 Reg4.10 will change simultaneously.	1
22.2	Port5 Backpressure Enable	RW	1: Enable port5 half duplex backpressure 0: Disable port5 half duplex backpressure	1

Reg.bit	Name	Mode	Description	Default
22.[1:0]	Port5 VLAN tag insertion and removal	RW	<p>11: Do not insert or remove VLAN tags to/from packets that are output on this port</p> <p>10: The switch will add VLAN tags to packets if they are not tagged when these packets are output on this port. The switch will not add tags to packets already tagged. The inserted tag is the ingress port's 'Default tag', which is indexed by port5's 'Port based VLAN index'</p> <p>01: The switch will remove VLAN tags from packets, if they are tagged when these packets are output on port5. The switch will not modify packets received without tags.</p> <p>00: The switch will remove VLAN tags from packets then add new tags to them. The inserted tag is the ingress port's "Default tag", which is indexed by port5's 'Port based VLAN index'. This is a replacement processing for tagged packets and an insertion for untagged packets.</p>	11

9.7.8. PHY6 Register 24 (Page 0, 1): Port5 Control Register 1

Table 54. PHY6 Register 24 (Page 0, 1): Port5 Control Register 1

Reg.bit	Name	Mode	Description	Default
24.15	Reserved	-	Reserved.	1
24.14	Disable IEEE 802.3x transmit flow control of port5 MAC	RW	<p>Only takes effect when PHY6 Reg.24.12=1.</p> <p>1: Disable IEEE 802.3x transmit flow control ability of port5 MAC</p> <p>0: Enable IEEE 802.3x transmit flow control ability of port5 MAC</p>	0
24.13	Disable IEEE 802.3x receive flow control of port5 MAC	RW	<p>Only takes effect when PHY6 Reg.24.12=1.</p> <p>1: Disable IEEE 802.3x receive flow control ability of port5 MAC</p> <p>0: Enable IEEE 802.3x receive flow control ability of port5 MAC</p>	0
24.12	Force asymmetric flow control of port5 MAC	RW	<p>0: No asymmetric flow control is provided. Use PHY6 Reg.4.10 to provide symmetric flow control both for pause reception and transmission</p> <p>1: Enable asymmetric flow control of port4 MAC. Use PHY6 Reg.24.13 for providing IEEE 802.3x receive flow control and use PHY6 Reg.24.14 for providing IEEE 802.3x transmit flow control</p>	0
24.11	Port5 Transmission Enable	RW	<p>1: Enable packet transmission on port5</p> <p>0: Disable packet transmission on port5</p>	1
24.10	Port5 Reception Enable	RW	<p>1: Enable packet reception on port5</p> <p>0: Disable packet reception on port5</p>	1
24.9	Port5 Learning Enable	RW	<p>1: Enable switch address learning capability</p> <p>0: Disable switch address learning capability</p>	1
24.8	Port5 Loop Status	RO	<p>1: A loop has been detected on port5</p> <p>0: No loop exists on port5</p>	0
24.[7:0]	Reserved	-	Reserved.	11111111

9.8. MMD Registers

The MMD registers used for the Energy-Efficient Ethernet (EEE) function are located in the embedded PHYs. For each PHY (PHY address is from 0 to 4), the MMD registers have the same definition and default values.

Table 55. MMD Registers List

Device	Address	Register Description
3	0	PCS Control 1 Register
	1	PCS Status 1 Register
	20	EEE Capability Register
	22	EEE Wake Error Counter Register
7	60	EEE Advertisement
	61	EEE LP Advertisement

9.8.1. Device 3 Address 0: PCS Control 1 Register

Table 56. Device 3 Address 0: PCS Control 1 Register

Bit	Name	Mode	Description	Default
3.0.10	Clock Stoppable	RW	1: Clock stoppable during LPI 0: Clock not stoppable	0

9.8.2. Device 3 Address 1: PCS Status 1 Register

Table 57. Device 3 Address 1: PCS Status 1 Register

Bit	Name	Mode	Description	Default
3.1.11	TX LP Idle Received	RO/LH	1: TX PCS has received LP idle 0: LP Idle not received	0
3.1.10	RX LP Idle Received	RO/LH	1: RX PCS has received LP idle 0: LP Idle not received	0
3.1.9	TX LP Idle Indication	RO	1: TX PPCS is currently receiving LP idle 0: PCS is not currently receiving LP idle	0
3.1.8	RX LP Idle Indication	RO	1: RX PCS is currently receiving LP idle 0: PCS is not currently receiving LP idle	0

9.8.3. Device 3 Address 20: EEE Capability Register

Table 58. Device 3 Address 20: EEE Capability Register

Bit	Name	Mode	Description	Default
3.20.15:7	Reserved	RO	Ignore on Read	0
3.20.6	10GBase-KR EEE	RO	1: EEE is supported for 10GBase-KR 0: EEE is not supported for 10GBase-KR	0
3.20.5	10GBase-KX4 EEE	RO	1: EEE is supported for 10GBase-KX4 0: EEE is not supported for 10GBase-KX4	0
3.20.4	1000Base-KX EEE	RO	1: EEE is supported for 1000Base-KX 0: EEE is not supported for 1000Base-KX	0
3.20.3	10GBase-T EEE	RO	1: EEE is supported for 10GBase-T 0: EEE is not supported for 10GBase-T	0
3.20.2	1000Base-T EEE	RO	1: EEE is supported for 1000Base-T 0: EEE is not supported for 1000Base-T	0
3.20.1	100Base-TX EEE	RO	1: EEE is supported for 100Base-TX 0: EEE is not supported for 100Base-TX	1
3.20.0	Reserved	RO	Ignore on Read	0

9.8.4. Device 3 Address 22: EEE Wake Error Counter Register

Table 59. Device 3 Address 22: EEE Wake Error Counter Register

Bit	Name	Mode	Description	Default
3.22.[15:0]	Wake Error Counter	RO/LH	This register is used by PHY types that support EEE to count wake time faults where the PHY fails to complete its normal wake sequence within the time required for the specific PHY type. This 16-bit counter is reset to all zeros when the EEE wake error counter is read by the management function or upon execution of the PCS reset. This counter is held at all ones in the case of overflow.	16'h0000

9.8.5. Device 7 Address 60: EEE Advertisement Register

Table 60. Device 7 Address 60: EEE Advertisement Register

Bit	Name	Mode	Description	Default
7.60.15:7	Reserved	RO	Ignore on Read	0
7.60.6	10GBase-KR EEE	RW	1: EEE is supported for 10GBase-KR 0: EEE is not supported for 10GBase-KR The RTL8306M does not support this function. This bit should always be '0'.	0
7.60.5	10GBase-KX4 EEE	RW	1: EEE is supported for 10GBase-KX4 0: EEE is not supported for 10GBase-KX4 The RTL8306M does not support this function. This bit should always be '0'.	0

Bit	Name	Mode	Description	Default
7.60.4	1000Base-KX EEE	RW	1: EEE is supported for 1000Base-KX 0: EEE is not supported for 1000Base-KX The RTL8306M does not support this function. This bit should always be '0'.	0
7.60.3	10GBase-T EEE	RW	1: EEE is supported for 10GBase-T 0: EEE is not supported for 10GBase-T The RTL8306M does not support this function. This bit should always be '0'.	0
7.60.2	1000Base-T EEE	RW	1: EEE is supported for 1000Base-T 0: EEE is not supported for 1000Base-T The RTL8306M does not support this function. This bit should always be '0'.	0
7.60.1	100Base-TX EEE	RW	1: EEE is supported for 100Base-TX 0: EEE is not supported for 100Base-TX The RTL8306M does not support this function. This bit should always be '0'.	1
7.60.0	Reserved	RO	Ignore on Read	0

9.8.6. Device 7 Address 61: EEE LP Advertisement Register

Table 61. Device 7 Address 61: EEE LP Advertisement Register

Bit	Name	Mode	Description	Default
7.61.15:7	Reserved	RO	Ignore on Read	0
7.61.6	10GBase-KR EEE	RO	1: EEE is supported for 10GBase-KR 0: EEE is not supported for 10GBase-KR	0
7.61.5	10GBase-KX4 EEE	RO	1: EEE is supported for 10GBase-KX4 0: EEE is not supported for 10GBase-KX4	0
7.61.4	1000Base-KX EEE	RO	1: EEE is supported for 1000Base-KX 0: EEE is not supported for 1000Base-KX	0
7.61.3	10GBase-T EEE	RO	1: EEE is supported for 10GBase-T 0: EEE is not supported for 10GBase-T	0
7.61.2	1000Base-T EEE	RO	1: EEE is supported for 1000Base-T 0: EEE is not supported for 1000Base-T	0
7.61.1	100Base-TX EEE	RO	1: EEE is supported for 100Base-TX 0: EEE is not supported for 100Base-TX	0
7.61.0	Reserved	RO	Ignore on Read	0

10. Characteristics

10.1. Electrical Characteristics/Maximum Ratings

WARNING: Maximum ratings are limits beyond which permanent damage may be caused to the device or which may affect device reliability. All voltages are specified reference to GND unless otherwise specified.

Table 62. Electrical Characteristics/Maximum Ratings

Parameter	Min	Max	Units
Vcc Supply Referenced to GND	-0.5	+4.0	V
Digital Input Voltage	-0.5	VDD	V
DC Output Voltage	-0.5	VDD	V

10.2. Operating Range

Table 63. Operating Range

Parameter	Min	Max	Units
Storage Temperature	-55	+150	°C
Ambient Operating Temperature (Ta)	0	+70	°C
3.3V Vcc Supply Voltage Range (HVDD33, DVDD33)	3.13	3.47	V
1.8V Vcc Supply Voltage Range (DVDD18, AVDD18)	1.71	1.95	V

10.3. DC Characteristics

Table 64. DC Characteristics

Parameter	SYM	Condition	Min	Typical	Max	Units
TTL Input High Voltage	V _{ih}	-	2.0	-	-	V
TTL Input Low Voltage	V _{il}	-	-	-	0.8	V
TTL Input Current	I _{in}	-	-10	-	10	μA
TTL Input Capacitance	C _{in}	-	-	3	-	pF
Output High Voltage	V _{oh}	-	2.25	-	-	V
Output Low Voltage	V _{ol}	-	-	-	0.4	V
Output Three State Leakage Current	I _{oz}	-	-	-	10	μA
Power Supply Current for 1.8V	I _{cc}	10Base-T, idle	-	100	-	mA
		10Base-T, Peak continuous 100% utilization	-	627	-	
		100Base-TX, idle	-	443	-	
		100Base-TX, Peak continuous 100% utilization	-	450	-	
		Link down	-	106	-	
Power Supply Current for 3.3V	I _{cc}	10Base-T, idle	-	9	-	mA
		10Base-T, Peak continuous 100% utilization	-	9	-	
		100Base-TX, idle	-	1	-	
		100Base-TX, Peak continuous 100% utilization	-	9	-	
		Link down	-	0	-	

Parameter	SYM	Condition	Min	Typical	Max	Units
Total Power Consumption for All Ports	PS	10Base-T, idle	-	209.7	-	mW
		10Base-T, Peak continuous 100% utilization	-	1158.3	-	
		100Base-TX, idle	-	800.7	-	
		100Base-TX, Peak continuous 100% utilization	-	839.7	-	
		Link down	-	190.8	-	

Note: All power supply currents are measured under the following conditions:

1. AVDD18=DVDD18=1.8V; HVDD33=DVDD33=3.3V.
2. Room temperature.
3. The EEE and Green features are disabled.
4. All LEDs are in low-active mode.

10.4. Thermal Characteristics

10.4.1. Simulation Conditions

Table 65. PCB Descriptions

PCB	PCB Dimension (L x W)	105.2 × 76mm
	PCB Thickness	1.6mm
	PCB Top GND Plane Size	80%
	Number of Cu Layer-PCB	2-Layer

Table 66. Condition Descriptions

Input Power	1.2W
Test Board (PCB)	2 Layer
Control Condition	Air Flow= 0, 1, 2, 3ms

10.4.2. Thermal Characteristics Result

Table 67. Thermal Characteristics Result

Air Flow (ms)	0	1	2	3
θ_{JA} (°C/W)	20.6	17.4	16.5	16
θ_{JC} (°C/W)	8.5	-	-	-
θ_{JB} (°C/W)	8.8	-	-	-
ψ_{JT} (°C/W)	3.4	3.9	4	4.1
ψ_{JB} (°C/W)	7.4	7.5	7.6	7.7
Max. Junction Temperature	125°C			

10.5. Digital Timing Characteristics

10.5.1. LED Timing

Table 68. LED Timing

Parameter	SYM	Condition	Min	Typical	Max	Units
LED On Time	tLEDon	LED Blinking to indicate Link Information	43	-	120	ms
LED Off Time	tLEDoff	LED Blinking to indicate Link Information	43	-	120	ms

10.5.2. Reception/Transmission Data Timing of MII/TMII/RMII/SMI Interface

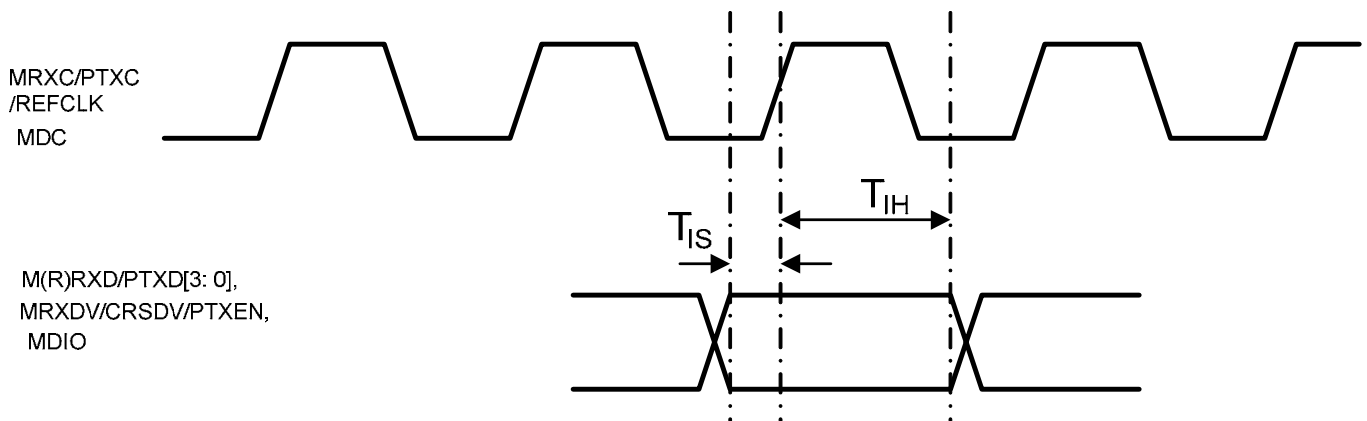
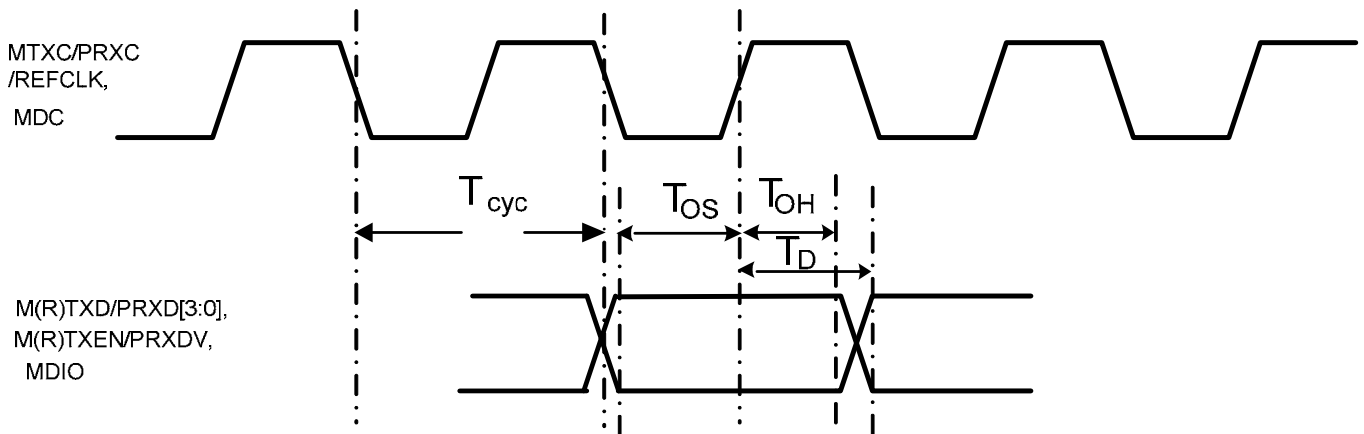

Figure 30. Reception Data Timing of MII/TMII/RMII/SMI Interface

Figure 31. Transmission Data Timing of MII/TMII/RMII/SMI Interface

Table 69. MII/TMII/RMII/SMI Timing

Parameter	SYM	Description	I/O	Min	Type	Max	Units
MAC Mode MII Timing							
TXD[3:0], TXEN Output Setup Time	T _{OS}	MTXD[3:0], MTXEN to MTXC Rising Edge Setup Time 100Mbps 10Mbps	O	25 380	-	-	ns
TXD[3:0], TXEN Output Hold Time	T _{OH}	MTXD[3:0], MTXEN to MTXC Rising Edge Hold Time 100Mbps 10Mbps	O	4 4	-	-	ns
RXD[3:0], RXDV Input Setup Time	T _{IS}	MRXD[3:0], MRXDV to MRXC Rising Edge Setup Time	I	5	-	-	ns
RXD[3:0], RXDV Input Hold Time	T _{IH}	MRXD[3:0], MRXDV to MRXC Rising Edge Hold Time	I	2	-	-	ns
PHY Mode MII Timing							
100Base-T TXC, RXC Cycle Time	T _{eyc}	PTXC, PRXC Clock Cycle Time	O	-	40	-	ns
10Base-T TXC, RXC Cycle Time	T _{eyc}	PTXC, PRXC Clock Cycle Time	O	-	400	-	ns
RXD[3:0], RXDV Output Setup Time	T _{OS}	PRXD[3:0], PRXDV to PRXC Rising Edge Setup Time 100Mbps 10Mbps	O	12 180	-	-	ns
RXD[3:0], RXDV Output Hold Time	T _{OH}	PRXD[3:0], PRXDV to PRXC Rising Edge Holdup Time 100Mbps 10Mbps	O	16 180	-	-	ns
TXD[3:0], TXEN Input Setup Time	T _{IS}	PTXD[3:0], PTXEN to PTXC Rising Edge Setup Time	I	4	-	-	ns
TXD[3:0], TXEN Input Hold Time	T _{IH}	PTXD[3:0], PTXEN to PTXC Rising Edge Hold Time	I	0	-	-	ns
MAC Mode TMII Timing							
TXD[3:0], TXEN Output Setup Time	T _{OS}	MTXD[3:0], MTXEN to MTXC Rising Edge Setup Time	O	8	-	-	ns
TXD[3:0], TXEN Output Hold Time	T _{OH}	MTXD[3:0], MTXEN to MTXC Rising Edge Hold Time	O	4	-	-	ns
RXD[3:0], RXDV Input Setup Time	T _{IS}	MRXD[3:0], MRXDV to MRXC Rising Edge Setup Time	I	4	-	-	ns
RXD[3:0], RXDV Input Hold Time	T _{IH}	MRXD[3:0], MRXDV to MRXC Rising Edge Hold Time	I	2	-	-	ns
PHY Mode TMII Timing							
100Base-T TXC, RXC Cycle Time	T _{eyc}	PTXC, PRXC Clock Cycle Time	O	-	20	-	ns
RXD[3:0], RXDV Output Setup Time	T _{OS}	PRXD[3:0], PRXDV to PRXC Rising Edge Setup Time	O	6	-	-	ns
RXD[3:0], RXDV Output Hold Time	T _{OH}	PRXD[3:0], PRXDV to PRXC Rising Edge Holdup Time	O	8	-	-	ns

Parameter	SYM	Description	I/O	Min	Type	Max	Units
TXD[3:0], TXEN Input Setup Time	T _{IS}	PTXD[3:0], PTXEN to PTXC Rising Edge Setup Time	I	4	-	-	ns
TXD[3:0], TXEN Input Hold Time	T _{IH}	PTXD[3:0], PTXEN to PTXC Rising Edge Hold Time	I	0	-	-	ns
RMII Timing							
REFCLK Cycle Time	T _{cyc}	REFCLK Clock Cycle Time	O	-	20	-	ns
TXD[1:0], TXEN Output Setup Time	T _{OS}	RTXD[1:0], RTXEN to REFCLK Rising Edge Setup Time	O	4	-	-	ns
TXD[1:0], TXEN Output Hold Time	T _{OH}	RTXD[1:0], RTXEN to REFCLK Rising Edge Hold Time	O	2	-	-	ns
RXD[1:0], CRSDV Input Setup Time	T _{IS}	RRXD[1:0], CRSDV to REFCLK Rising Edge Setup Time	I	4	-	-	ns
RXD[1:0], CRSDV Input Hold Time	T _{IH}	RRXD[1:0], CRSDV to REFCLK Rising Edge Hold Time	I	2	-	-	ns
SMI Timing							
MDC	T _{cyc}	MDC Clock Cycle	I	400	-	-	ns
MDIO Input Setup Time	T _{IS}	MDIO to MDC Rising Edge Setup Time	I	10	-	-	ns
MDIO Input Hold Time	T _{IH}	MDIO to MDC Rising Edge Hold Time	I	3	-	-	ns
MDIO Output Delay Time	T _D	MDIO to MDC Rising Edge Output Delay	O	9	-	40	ns

10.5.3. EEPROM Auto-Load Timing

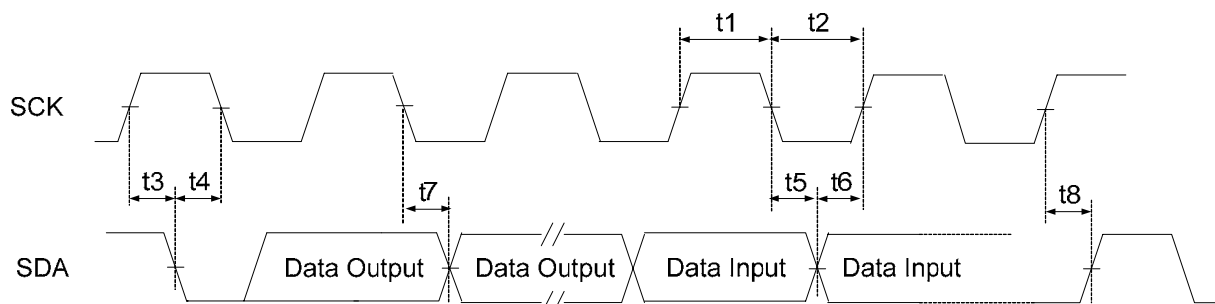


Figure 32. EEPROM Auto-Load Timing

Table 70. EEPROM Auto-Load Timing Characteristics

Symbol	Description	Min	Typical	Max	Units
t ₁	SCK High Time	-	20	-	μs
t ₂	SCK Low Time	-	20	-	μs
t ₃	START Condition Setup Time	-	10	-	μs
t ₄	START Condition Hold Time	-	10	-	μs
t ₅	Data In Hold Time	0	-	-	ns
t ₆	Data In Setup Time	2	-	-	ns
t ₇	Data Output Hold Time	-	10	-	μs
t ₈	STOP Condition Setup Time	-	10	-	μs

11. Application Information

11.1. UTP (10Base-T/100Base-TX) Applications

Note that the center-tap on the primary side of the transformer must be connected to 1.8V and should be connected to ground via a 0.1μF capacitor.

Table 71. Transformer Vendors

Vendor	Quad	Single
Pulse	H1164	H1102
Magnetic 1	ML164	ML102

Two types of transformer are generally used for the RTL8306M. One is a Quad (4-port) transformer with one common pin on both sides of an internal connected central tap. The other is a Single (1-port) transformer with two pins on both sides of a separate central tap.

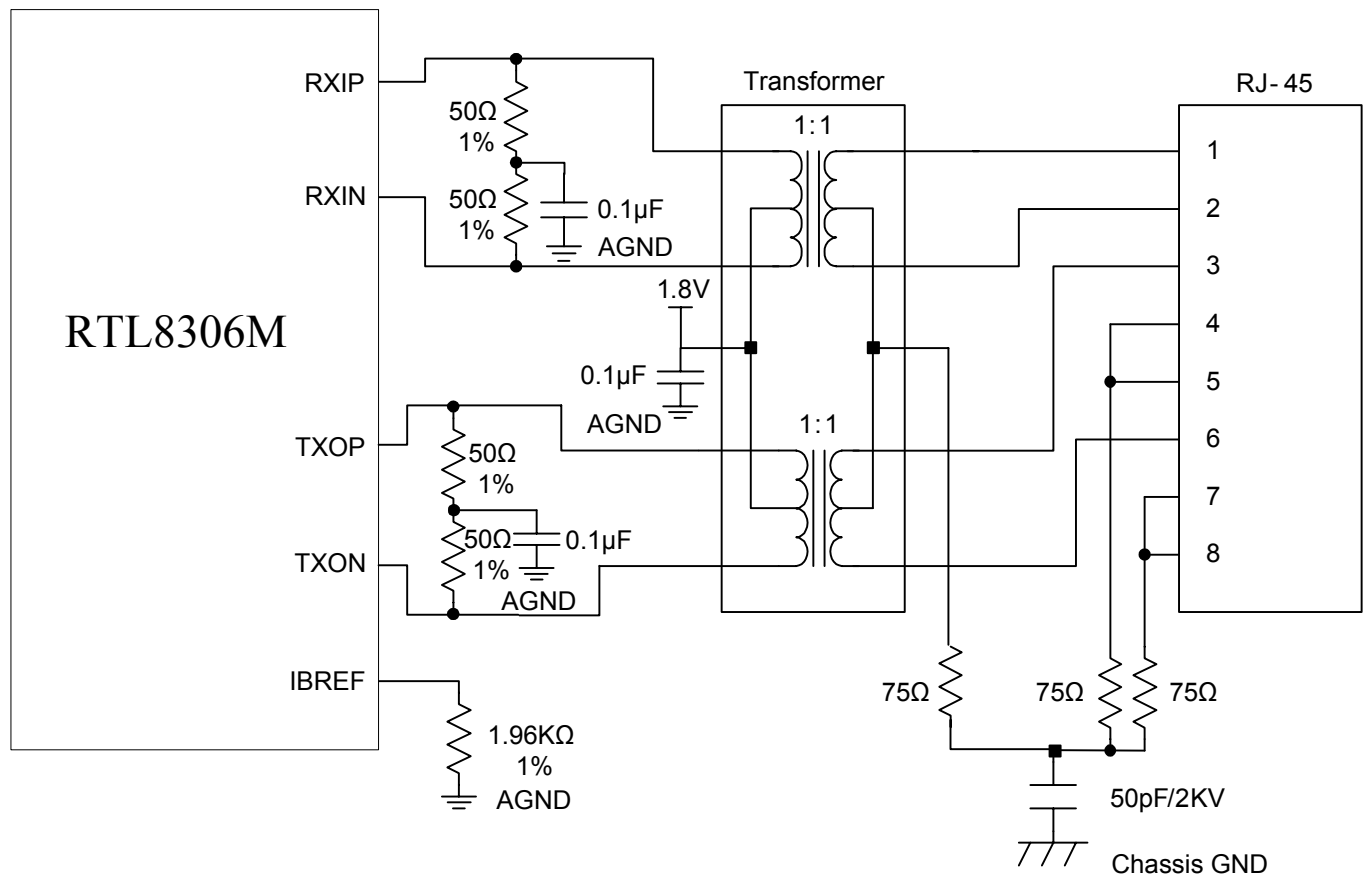


Figure 33. UTP Application for Transformer with Connected Central Tap

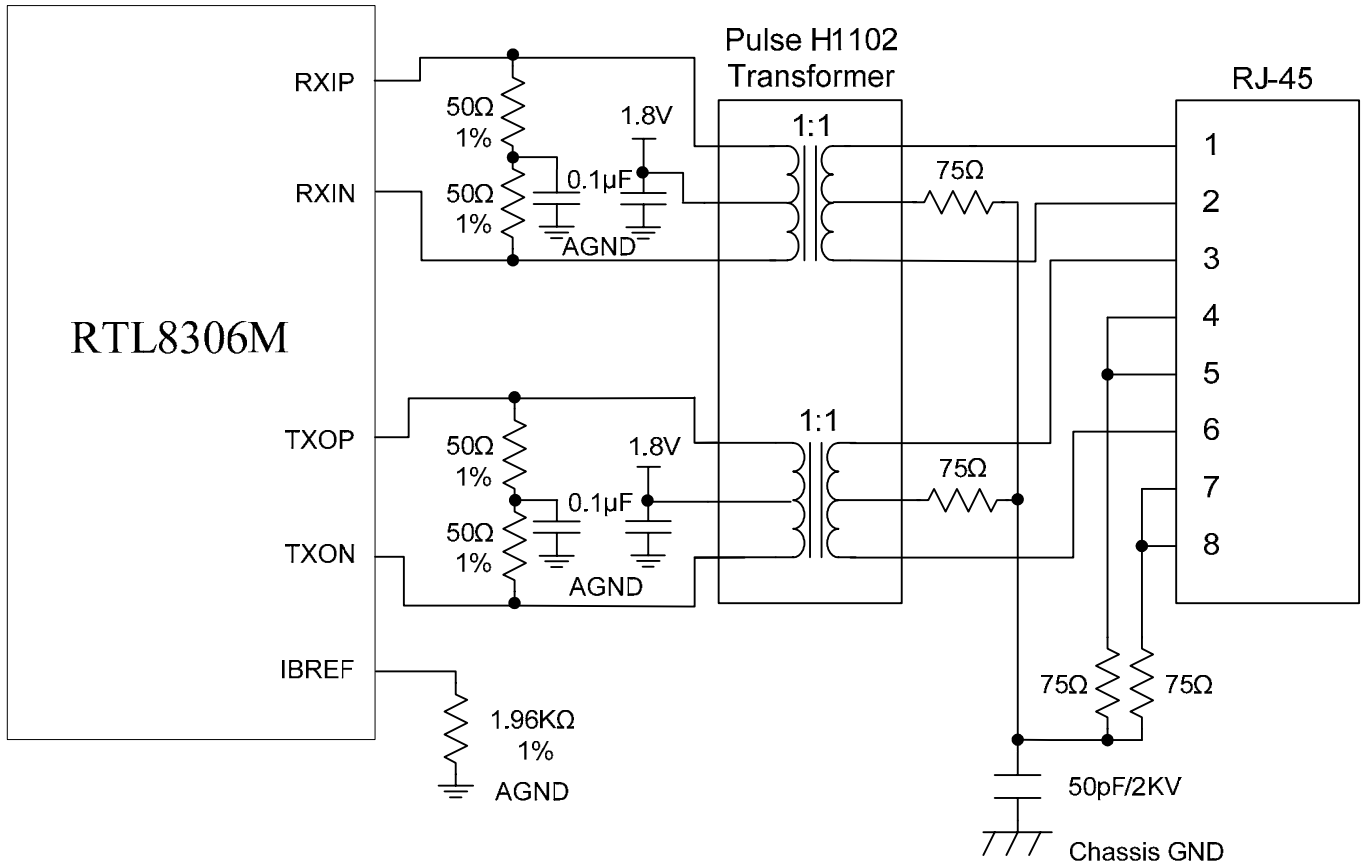


Figure 34. UTP Application for Transformer with Separate Central Tap

12. Design and Layout

In order to achieve maximum performance using the RTL8306M, good design attention is required throughout the design and layout process. The following are some suggestions to implement a high-performance system.

General Guidelines

- Provide a good power source, minimizing noise from switching power supply circuits (<50mV).
- Verify the ability of critical components, e.g. clock source and transformer, to meet application requirements.
- Keep power and ground noise levels below 50mV.
- Use bulk capacitors (10 μ F~100 μ F) between the power and ground planes.
- Use 0.1 μ F de-coupling capacitors to reduce high-frequency noise on the power and ground planes.
- Keep de-coupling capacitors as close as possible to the RTL8306M chip.

Differential Signal Layout Guidelines

- Keep differential pairs as close as possible and route both traces as identically as possible.
- Avoid vias and layer changes if possible.
- Keep transmit and receive pairs away from each other.

Clock Circuit

- If possible, surround the clock by ground trace to minimize high-frequency emissions.
- Keep the crystal or oscillator as close to the RTL8306M as possible.

1.8V Power

- Do not connect a bead directly between the collector of the PNP transistor and AVDD18. This will significantly affect the stability of the 1.8V power supply.
- Connect the base of the PNP transistor and the VCTRL pin directly. Do not use a bead between the VCTRL pin and the PNP transistor or capacitor, and do not use a capacitor between the VCTRL pin and ground.
- Use a bulk capacitor (10 μ F~100 μ F) between the collector of the PNP transistor and the ground plane.
- Do not use one PNP transistor for more than one RTL8306M chip, even if the rating is enough. Use one transistor for each RTL8306M chip.

Power Plane

- Divide the power plane into 1.8V digital, 3.3V digital, and 1.8V analog.
- Use 0.1 μ F decoupling capacitors and bulk capacitors between each power plane and the ground plane.
- Power line connects from the source to the RTL8306M pin should be at least 10mil wide.

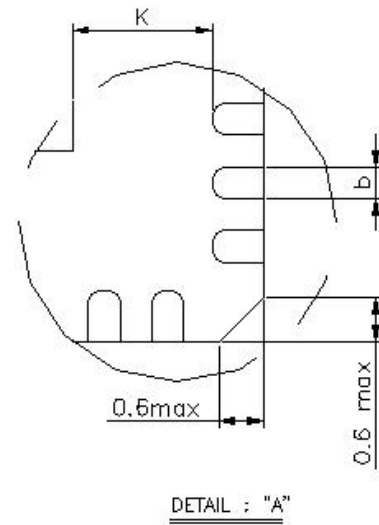
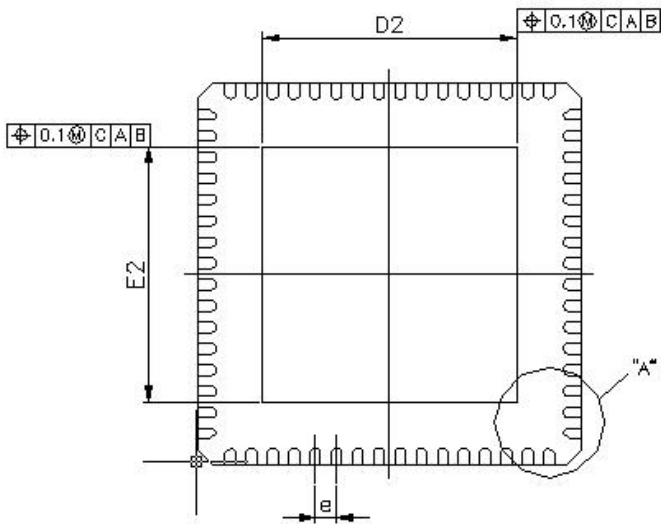
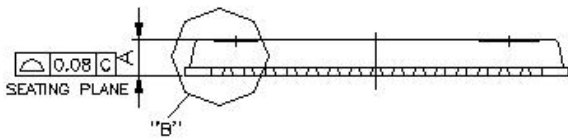
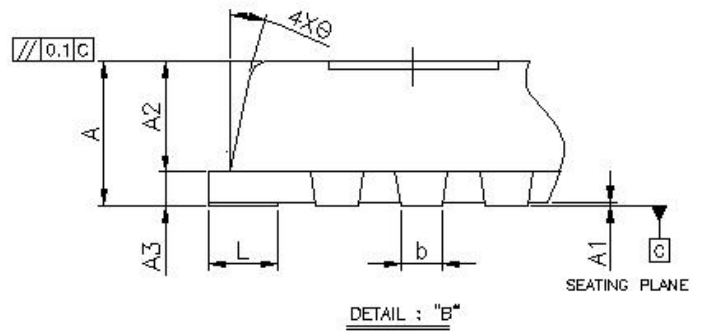
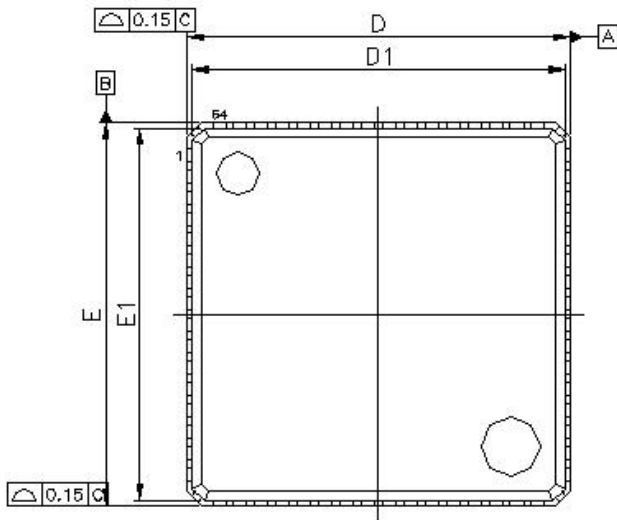
Ground Plane

- Keep the system ground region as one continuous, unbroken plane that extends from the primary side of the transformer to the rest of the board.
- Place a moat (gap) between the system ground and chassis ground.
- Ensure the chassis ground area is voided at some point such that no ground loop exists on the chassis ground area.

E-PAD

- The exposed and tinned ground pad area (on which the RTL8306M's E-PAD is to be soldered) is suggested to be 200mil x 200mil.
- Make sure that the conduction of the E-PAD of the RTL8306M and the system ground plane is good. Add at least 8 vias in the exposed ground pad area to connect with the system ground plane.
- Avoid the non-ground signal trace on the top side of the PCB routed under the chip's E-PAD.

13. Mechanical Dimensions



See the Mechanical Dimensions notes on the next page.

13.1. Mechanical Dimensions Notes

Symbol	Dimension in mm			Dimension in inch		
	Min	Nom	Max	Min	Nom	Max
A	0.75	0.85	1.00	0.030	0.034	0.039
A ₁	0.00	0.02	0.05	0.000	0.001	0.002
A ₂	0.55	0.65	0.80	0.022	0.026	0.032
A ₃	0.20REF			0.008REF		
b	0.18	0.25	0.30	0.007	0.010	0.012
D/E	9.00BSC			0.354BSC		
D ₁ /E ₁	8.75BSC			0.344BSC		
D ₂ /E ₂	5.25	5.5	5.75	0.206	0.216	0.226
e	0.50BSC			0.020BSC		
L	0.30	0.40	0.50	0.012	0.016	0.020
θ	0°	-	14°	0°	-	14°

14. Ordering Information

Table 72. Ordering Information

Part Number	Package	Status
RTL8306M-CG	64-Pin QFN 'Green' Package (RoHS Compliant)	MP

Note: See page 6 for package identification.

Realtek Semiconductor Corp.

Headquarters

No. 2, Innovation Road II

Hsinchu Science Park, Hsinchu 300, Taiwan

Tel.: +886-3-578-0211. Fax: +886-3-577-6047

www.realtek.com

*Single-Chip 6-Port 10/100Mbps Ethernet Switch Controller
with MII/RMII Interface*

97

Track ID: JATR-3375-16 Rev. 1.2