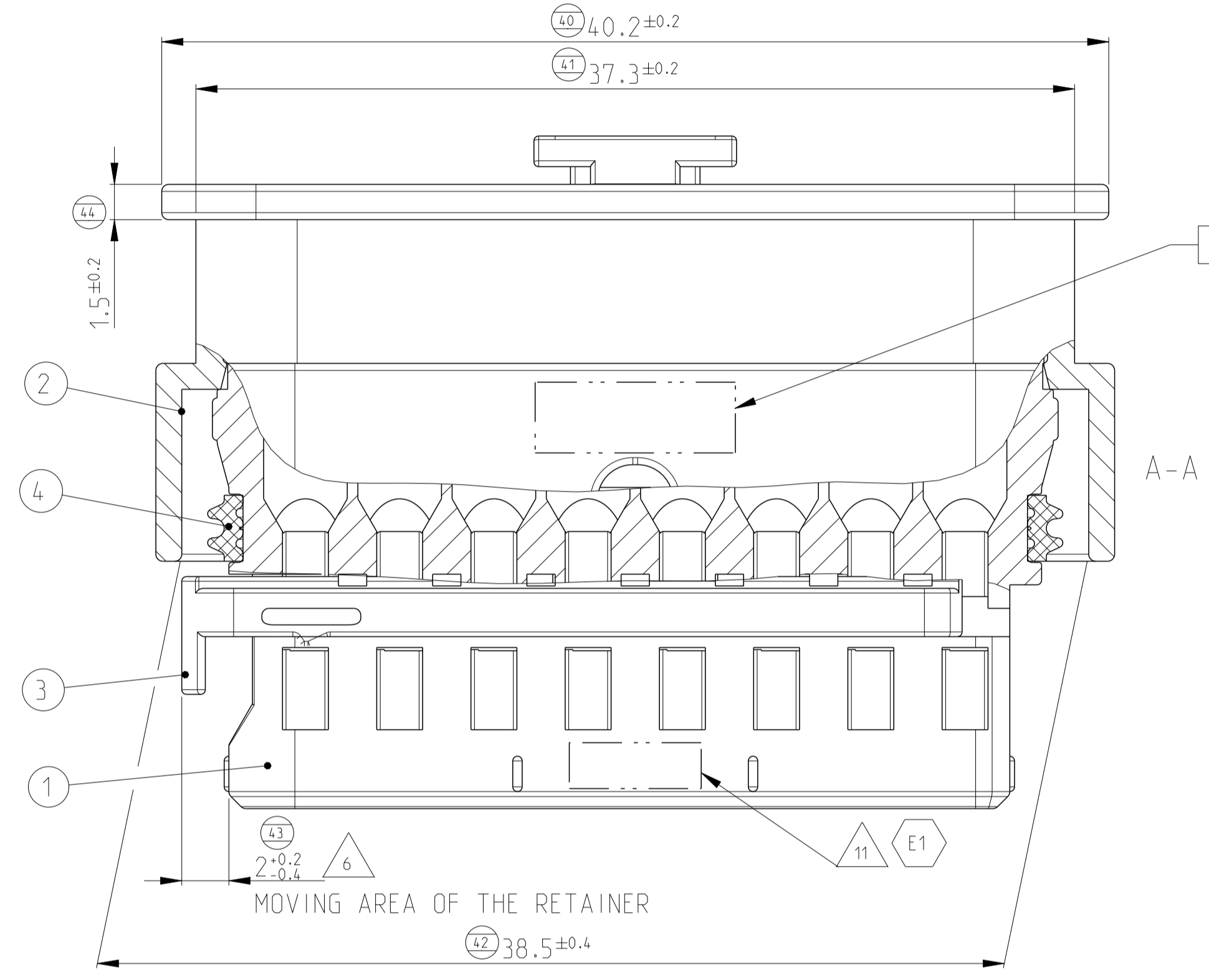
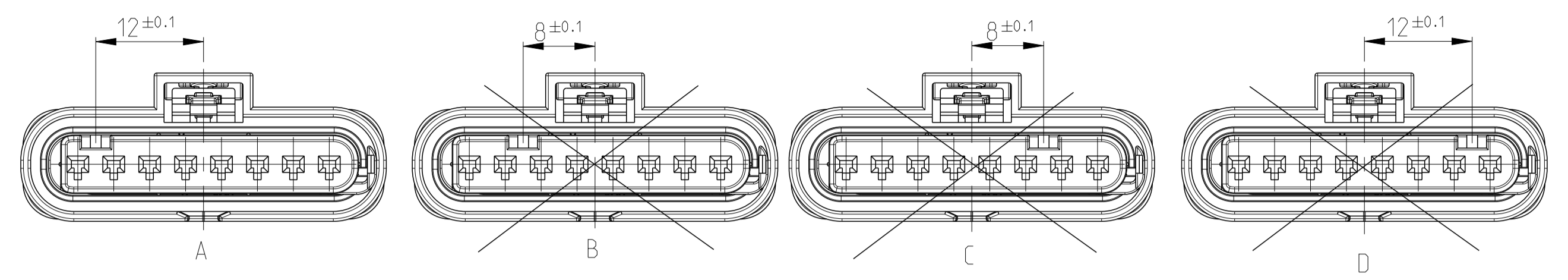


REVISIONS				
P	LTN	DESCRIPTION	DATE	OWN APVD
D	ECR-10-018119		02SEP2010	CLA ASC
E1		OUTHER HSG DESIGN UPDATED	30JUN2020	GR SZN

**CODINGS**  
**M 2:1**

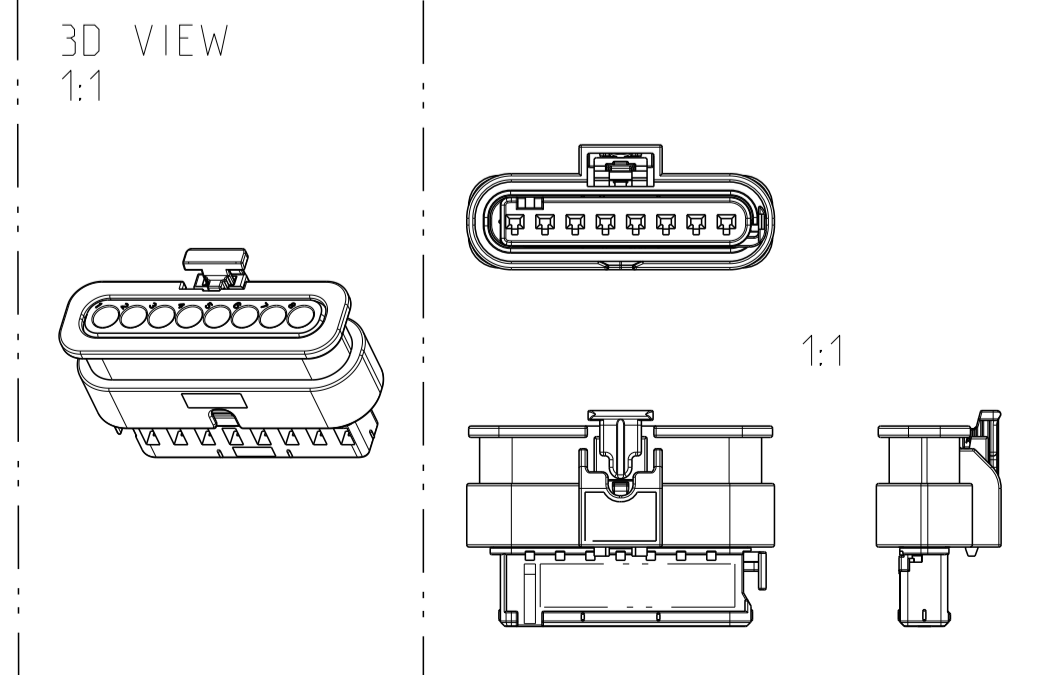


PRINT 10 E1  
X-XXXXXXX-X

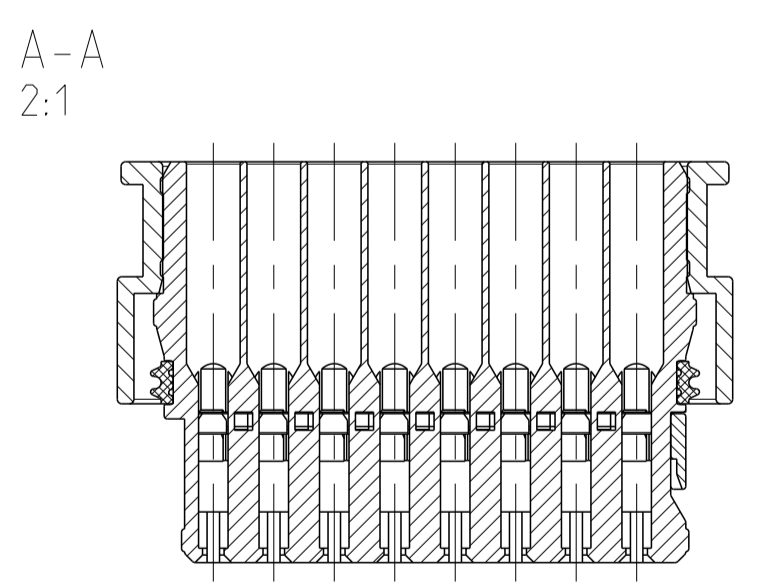
NOTES: E1

- 1 USABLE CONTACTS MCON 1.2  
SEE TE-NO. 1452674. VERSION SINGLE WIRE SEAL
- 2 MAX. WIRE SIZE RANGE 1.0 mm<sup>2</sup> FLR PERMITTED  
FOR CAVITY-Ø 3.55MM  
QUANTITY SEE WIRE HARNESS DRAWING  
FOR PERMISSIBLE CURRENT CARRYING CAPACITY OF THE SINGLE CONTACT  
SEE PRODUCT SPECIFICATION NO.108-18782
- 3 TE RELEVANT IDENTIFICATION AND TRACKING NUMBERS
- 4 SPACE OF ACTIVITY
- 5 SUPPLY CONDITION: CPA IN PRELOCKED POSITION
- 6 SUPPLY CONDITION: RETAINER IN PRELOCKED POSITION
- 7 WARPAGE PERMITTED TO MAX. -0.5mm
- 8 TE ORDER-NO.
- 9 ACCORDING TO INTERFACE DRAWING  
SEE TE-NO. 114-18679-3
- 10 AREA FOR PRINT WITH CUSTOMER RELEVANT MARKING
- 11 TE TRADEMARK

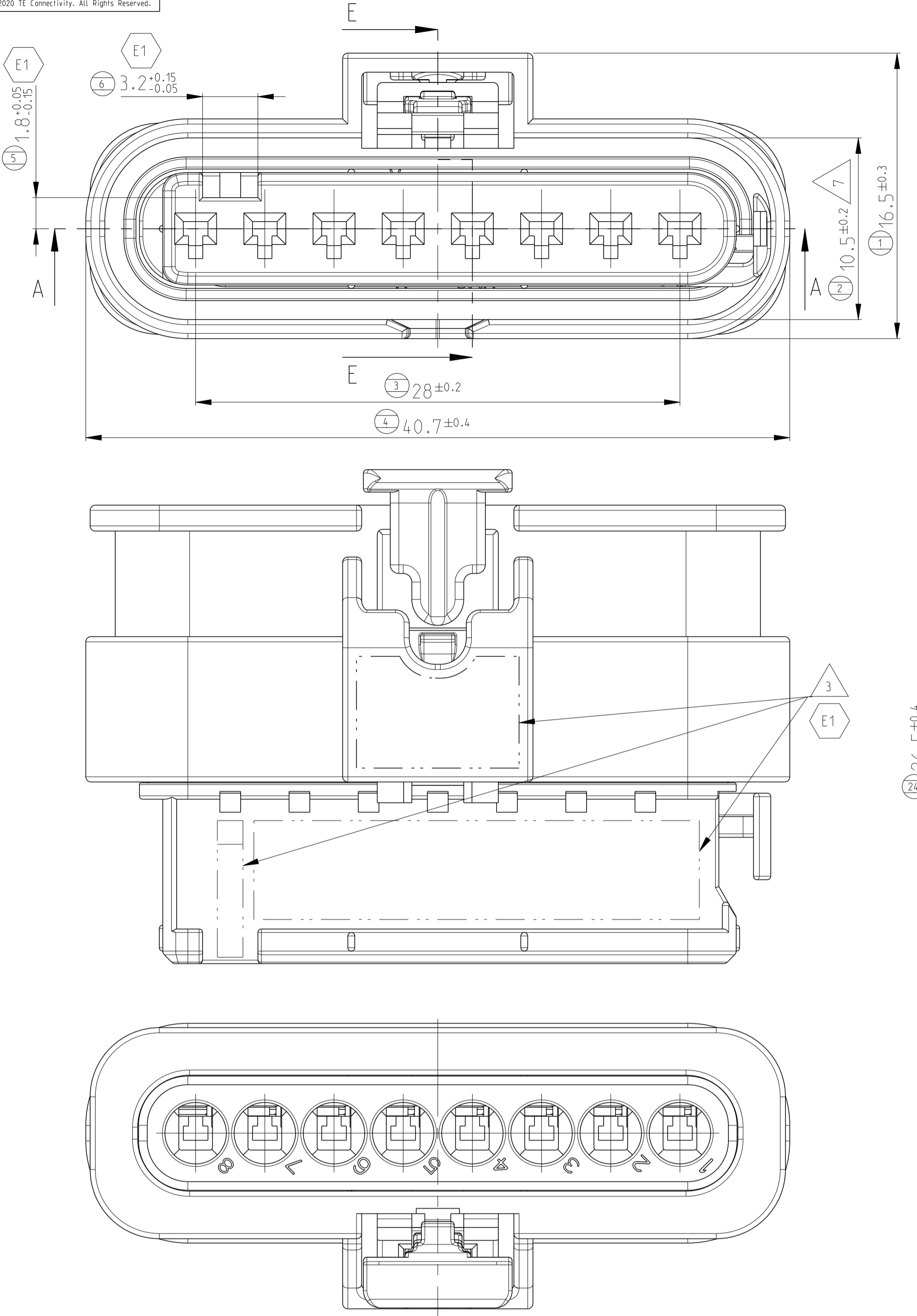
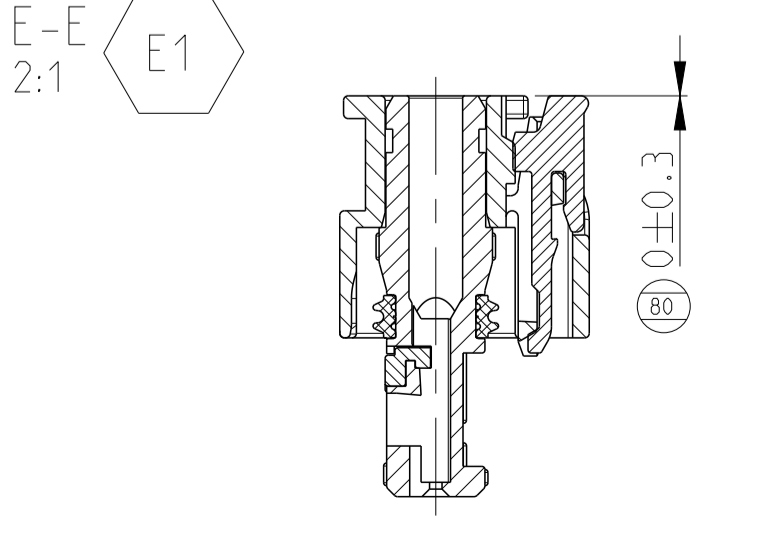
CODING A AS SHOWN



RETAINER IN END POSITION



CPA IN END POSITION



TE-ORDER-NO.	COD	E1 TITLE	REV	QTY	E1 TITLE	MATERIAL	SURFACE/COLOUR	ITEM
4-1719393-1	D	8pos. MCON 1.2 - LL Connector, Sealed	D	1	MCON 1.2 - CPA	PA46-GF15	GRAY SIML. RAL 7037	5
				1	8pos. MCON 1.2 - Seal	MVG	NATURE	4
				1	8pos. MCON 1.2 - Retainer	PA66-GF15	VIOLETT SIML. RAL 4006	3
				1	8pos. MCON 1.2 - Protec. Cover	PA6-GF15	BLACK RAL 9011	2
3-1719393-1	C	8pos. MCON 1.2 - LL Connector, Sealed	D	1	8pos. MCON 1.2 - Rec. Hsg.	PA66-GF30	BLACK RAL 9011	1
				1	MCON 1.2 - CPA	PA46-GF15	GRAY SIML. RAL 7037	5
				1	8pos. MCON 1.2 - Seal	MVG	NATURE	4
				1	8pos. MCON 1.2 - Retainer	PA66-GF15	VIOLETT SIML. RAL 4006	3
2-1719393-1	B	8pos. MCON 1.2 - LL Connector, Sealed	D	1	8pos. MCON 1.2 - Protec. Cover	PA6-GF15	BLACK RAL 9011	2
				1	8pos. MCON 1.2 - Rec. Hsg.	PA66-GF30	BLUE RAL 5012	1
				1	MCON 1.2 - CPA	PA46-GF15	GRAY SIML. RAL 7037	5
				1	8pos. MCON 1.2 - Seal	MVG	NATURE	4
1-1719393-1	A	8pos. MCON 1.2 - LL Connector, Sealed	E	1	8pos. MCON 1.2 - Retainer	PA66-GF15	VIOLETT SIML. RAL 4006	3
				1	8pos. MCON 1.2 - Protec. Cover	PA6-GF15	BLACK RAL 9011	2
				1	8pos. MCON 1.2 - Rec. Hsg.	PA66-GF30	GRAY RAL 9011	1
				1	MCON 1.2 - CPA	PA46-GF15	GRAY SIML. RAL 7037	5