

THIS DRAWING IS UNPUBLISHED.

RELEASED FOR PUBLICATION

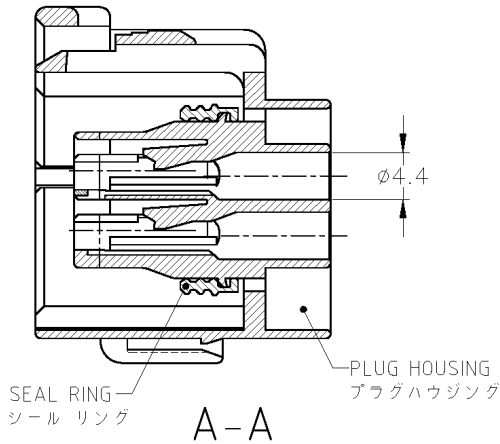
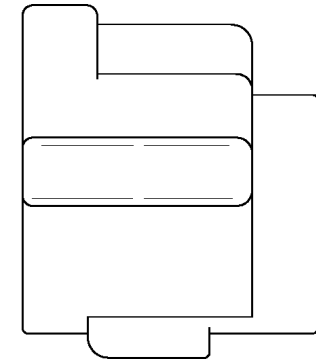
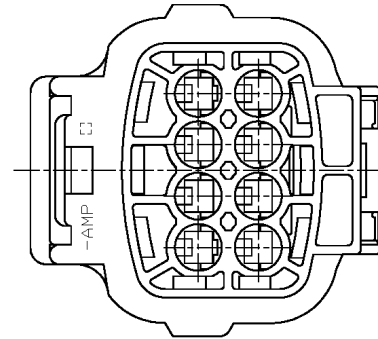
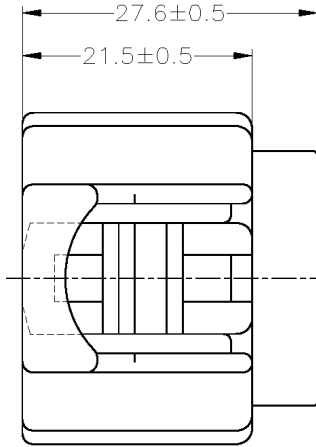
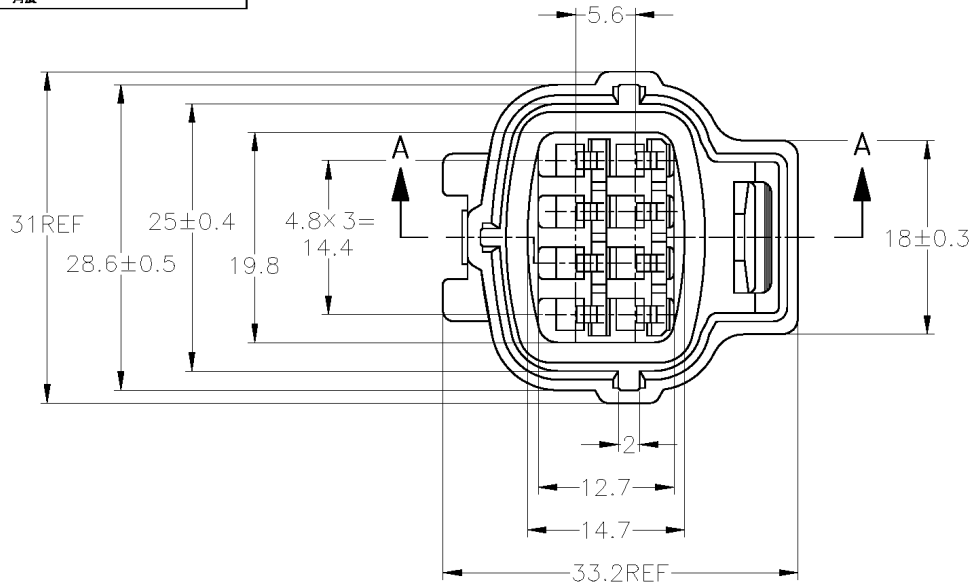
ALL RIGHTS RESERVED.

© COPYRIGHT - By -

TOLERANCE UNLESS OTHERWISE SPECIFIED:

一般公差
 0 < x ≤ 10 : ±0.2
 10 < x ≤ 30 : ±0.25
 30 < x ≤ 100 : ±0.3
 ANGLE : ±3°
 角度

LOC		DIST		REVISIONS				
J		-		変更				
P	LTR	DESCRIPTION		DATE	DWN	APVD		
B3	REVISED	ECR-14-016846		12NOV2014	TS	KB		



- 1. 嵌合相手型番: 174984
- 2. 本品はプラグハウジング単体にシールリングがアッセンブリされたものである。
- 3. 本品はダブルロックプレート型番 174983を装着して使用する。

- 1. FOR CAP HOUSING PN 174984
- 2. THIS PART IS COMPOSED OF PLUG HOUSING AND SEAL RING
- 3. THIS PART MUST BE USED WITH DOUBLE LOCK PLATE PN 174983

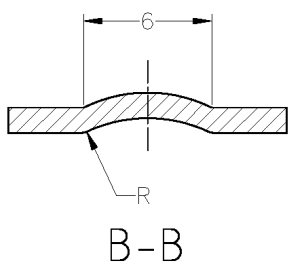
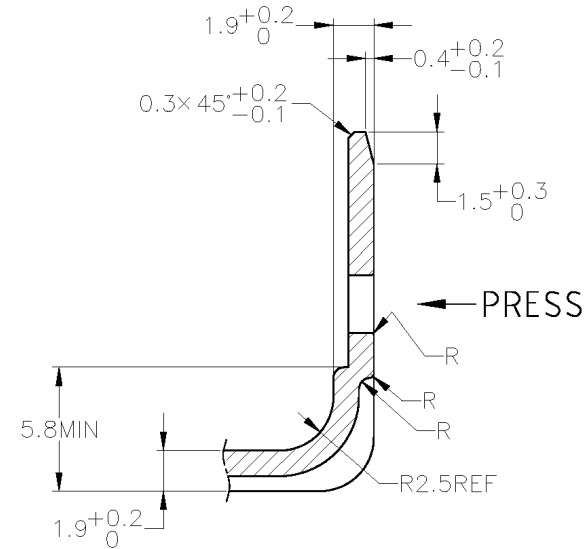
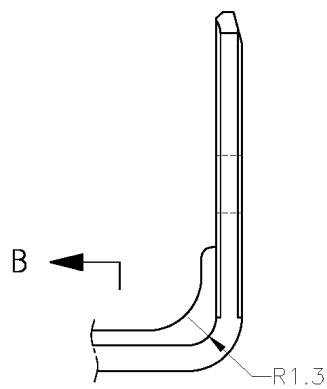
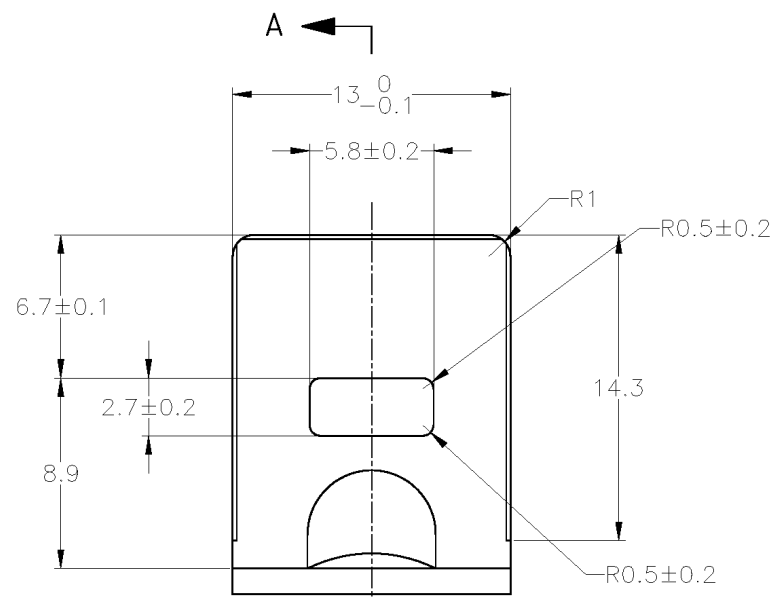
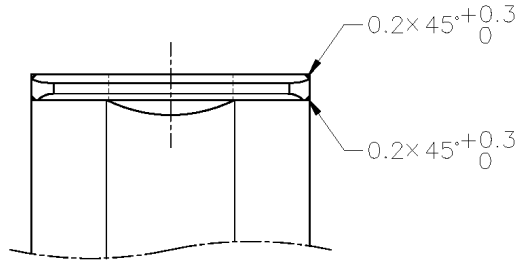
黒 BLACK	174982-2
色 COLOR	型番 PN

THIS DRAWING IS A CONTROLLED DOCUMENT.		DWN	T.SHINOHARA	09FEB04	TE Connectivity	
DIMENSIONS: 単位: 耗 mm		CHK	K.BETSUI	09FEB04		
TOLERANCES UNLESS OTHERWISE SPECIFIED: 一般公差		APVD	K.BETSUI	09FEB04	NAME	8Pos. ECONOSEAL J-MARKII+ CONNECTOR PLUG HOUSING
0 PLC ± -		PRODUCT SPEC	製品規格	108-5262	SIZE	A3
1 PLC ± -		APPLICATION SPEC	取付適用規格	114-5082	CAGE CODE	00779
2 PLC ± -		WEIGHT	11g	DRAWING NO	C-174982	
3 PLC ± -		MATERIAL 材料 PBT		FINISH 仕上	RESTRICTED TO -	
4 PLC ± -		CUSTOMER DRAWING		SCALE 尺度	2:1	SHEET 1 of 2
ANGLE ± 3°		REV B3				

THIS DRAWING IS UNPUBLISHED. RELEASED FOR PUBLICATION
 © COPYRIGHT - By - ALL RIGHTS RESERVED.

LOC	DIST	REVISIONS					
J	-	P	LTR	DESCRIPTION	DATE	DWN	APVD
		-		SEE SHEET 1	-	-	-

ブラケット推奨寸法図
 RECOMMENDED DIMENSION OF BRACKET



t = 1.2 ± 0.08

TOLERANCE UNLESS OTHERWISE SPECIFIED:
 一般公差

0 < x ≤ 10	: ±0.2
10 < x ≤ 30	: ±0.25
30 < x ≤ 100	: ±0.3
ANGLE	: ±3°

THIS DRAWING IS A CONTROLLED DOCUMENT.		DWN T.SHINOHARA 09FEB04	TE Connectivity													
DIMENSIONS: 単位: 耗 mm		CHK K.BETSUI 09FEB04														
TOLERANCES UNLESS OTHERWISE SPECIFIED: 一般公差		APVD K.BETSUI 09FEB04	NAME 名称 8Pos. ECONOSEAL J-MARKII+ CONNECTOR PLUG HOUSING													
<table border="1"> <tr> <td>0 PLC</td> <td>± -</td> </tr> <tr> <td>1 PLC</td> <td>± -</td> </tr> <tr> <td>2 PLC</td> <td>± -</td> </tr> <tr> <td>3 PLC</td> <td>± -</td> </tr> <tr> <td>4 PLC</td> <td>± -</td> </tr> <tr> <td>ANGLES</td> <td>± -</td> </tr> </table>		0 PLC	± -	1 PLC	± -	2 PLC	± -	3 PLC	± -	4 PLC	± -	ANGLES	± -	PRODUCT SPEC 製品規格	SIZE A3	
0 PLC	± -															
1 PLC	± -															
2 PLC	± -															
3 PLC	± -															
4 PLC	± -															
ANGLES	± -															
MATERIAL 材料		APPLICATION SPEC 取付適用規格	CAGE CODE 00779	DRAWING NO 番号 C-174982												
FINISH 仕上		WEIGHT	RESTRICTED TO -													
CUSTOMER DRAWING			SCALE 尺度 4:1	SHEET 2 of 2												
			REV B3													