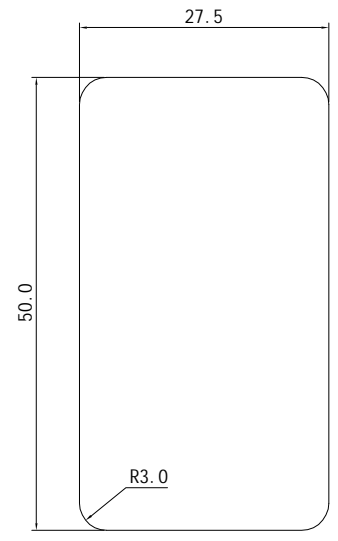
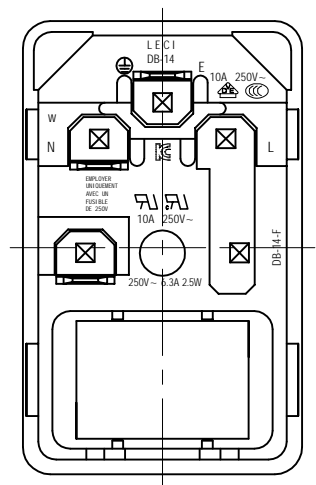
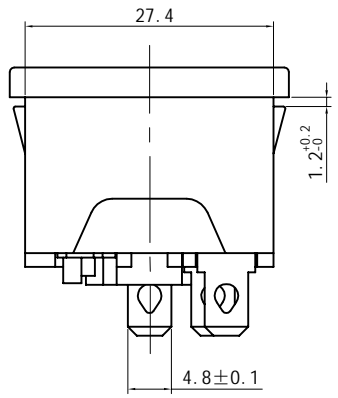


Section A-A



PANEL CUT-OUT



Rating :
 10A 250V AC T105 UL cUL
 10A 250V AC VDE 3C KC
 Fuse : 250VAC 6.3A 2.5W
 Insert And Extract Force: 1.36kgf~6.8kgf
 Operating Life: ≥5000 cycles
 Withstand Voltage: Between all
 terminal s: 2500VAC (50-60Hz)1min
 terminal s to Base: 3750V
 AC (50-60Hz)1min
 Leakage Current : 1mA
 Insulation Resistance: ≥100MΩ 500V DC
 Body Material: NYLON 66 94V-0

深圳市华灿天禄电子有限公司

普通公差
COMMON TOLERANCE :

UP TO 5	±0.20
ABOVE 5 TO 30	±0.30
ABOVE 30	±0.50
ANGULAR	±5°

单位
UNIT
mm
绘图
DRAWN BY
日期
DATE

投影
PROJECTED
核对
CHECKED BY
核准
APPROVAL BY

品名
PRODUCT NAME
型号
MODEL NO.
料号
PART NO.

Ac Inlet C14型
比例
SCALE
DB-14
DB-14-F4(2.0)

REV.	DATE	REVISION DESCRIPTION	ISSUE