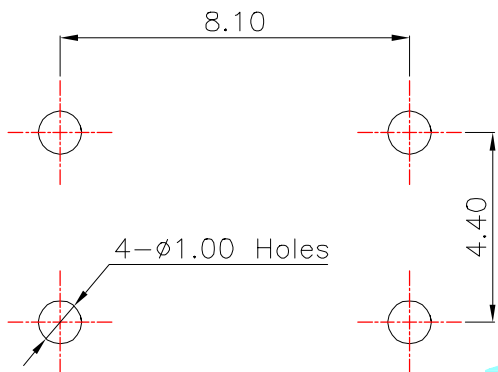
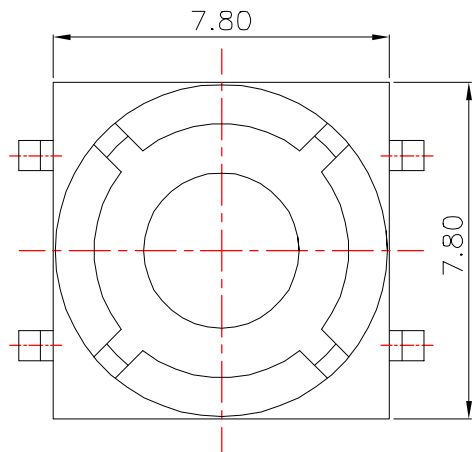
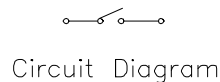
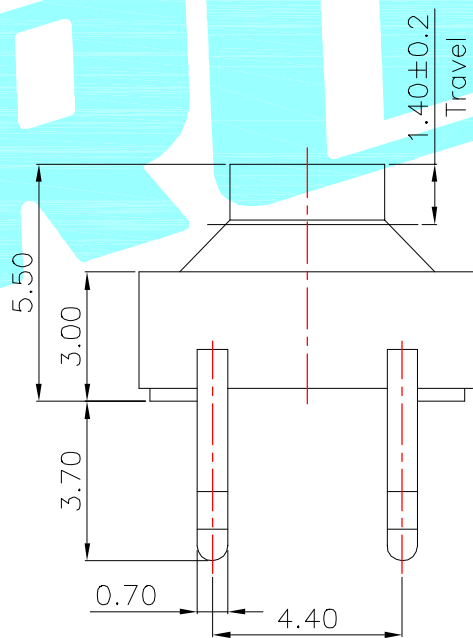
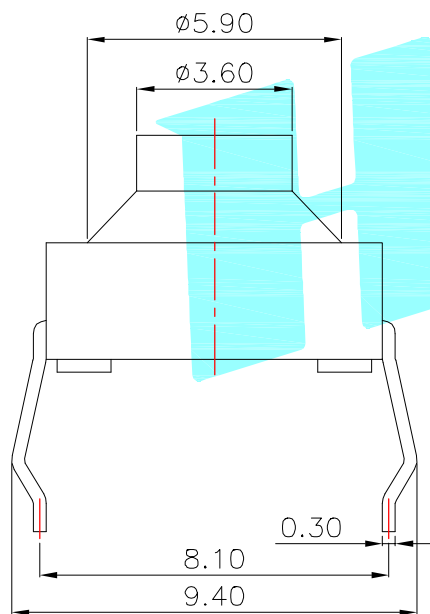
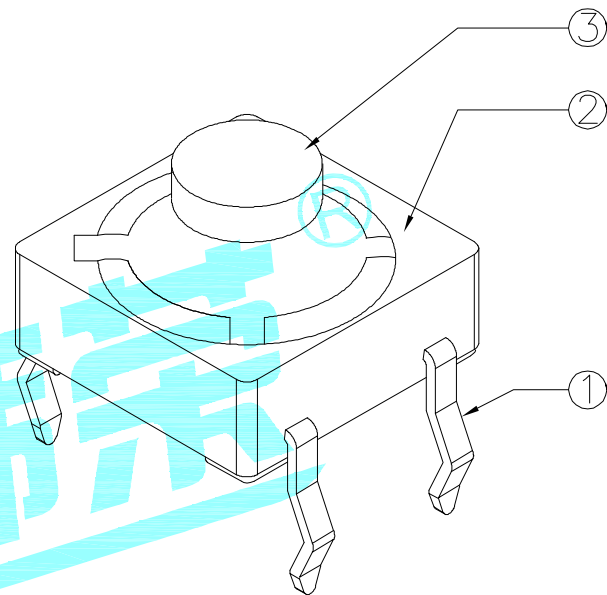


ROHS



PCB Layout(Pattern Side)



NO.1	
PART NO	vigor
1	100±30
2	130±30
3	160±30
4	250±30

NO.2-NO.3	
PART NO	NOTE
01~99	SERIAL NUMBER

ITEM	PART NAME	TER.NO.	QTY.	MATERIAL	FINISHING	REMARK
③	Knob	—	1	Silica gel	Gray	—
②	Base	—	1	Nylon	Black	—
①	Terminal	—	4	Phosphor Bronze	Plating silver	—

APPROVALS		DATE	HRO 華強 ELECTRONICS CO.,LTD				
DRAWN	J.X.Zhang	2013/8/24	TITLE:	TACT SWITCHS			
CHECKED			PART NO.	K2-1117DQ-A□EW-□□			
APPROVALS			TOLERANCES ARE	30~以上 ±0.30 10~30 ±0.20 5~10 ±0.15 ~ 5 ±0.10	ANGLE ±2'	UNIT: mm SCALE: 1:1 DRAWING NO.	
ECN NO.	REV.	DATE.	DESCRIPTION.	CHANGE.	CHECK.	APPRO.	PROJ:

ECN NO.	REV.	DATE.	DESCRIPTION.	CHANGE.	CHECK.	APPRO.	PROJ:
	A		NEW				SHEET 1 OF 1