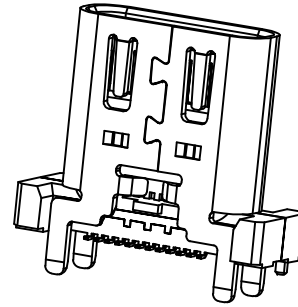
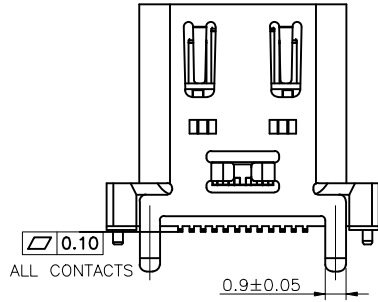
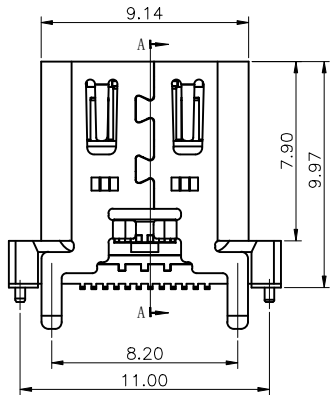


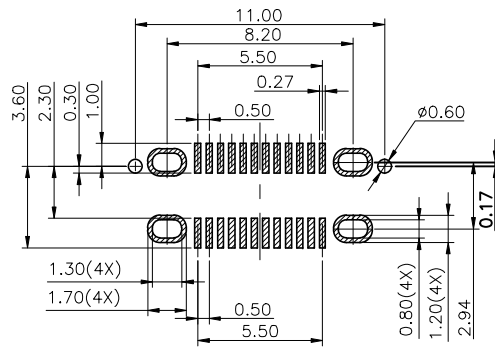
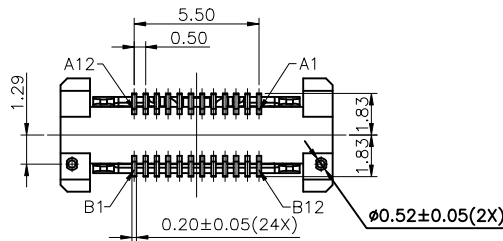
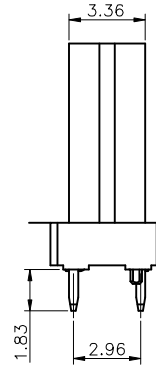
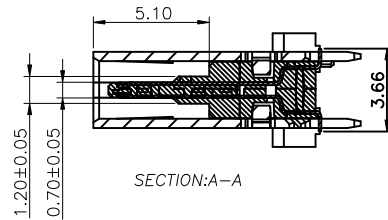
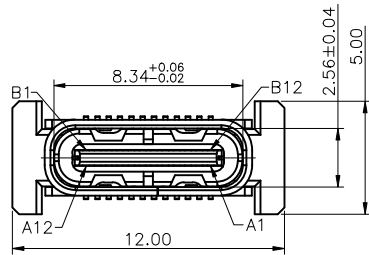


| REV. | ECN NO OR DESCRIPTION | REVISED | DATE |
|------|-----------------------|---------|------|
|      |                       |         |      |



**NOTE:**

- MATERIAL SPECIFICATION:**
  - HOUSING: PA9T, UL94 V-0.
  - TERMINAL: COPPER ALLOY (C1814)
  - MID PLATE: STAINLESS STEEL (SUS301)
  - FRONT SHELL: STAINLESS STEEL (SUS304)
- PLATING SPECIFICATION:**
  - TERMINAL:**
    - Ni 50u" MIN. UNDER PLATED OVER ALL.
    - Au PLATED ON THE FUNCTIONAL AREA OF CONTACT. (GOLD PLATING THICKNESS FOLLOW THE P/N)
  - SHELL:**
    - Ni 50u" MIN. UNDER PLATED OVER ALL.
  - MID PLATE:**
    - CLEAR ONLY
- MECHANICAL PERFORMANCE,**
  - INSERTION FORCE: 0.5~2.0kgf.
  - REMOVAL FORCE: 0.8kgf~2.0kgf.
  - DURABILITY: 10000 CYCLES.
- ELECTRICAL PERFORMANCE,**
  - VOLTAGE RATING:** 5 V DC/AC (RMS. max)  
CURRENT RATING: 5 AMPS. FOR TOTAL VBUS/GND PINS;  
1.25AMPS FOR CC PIN, 0.25 AMPS. FOR ALL OTHER CONTACT.
  - LLCR:**
    - VBUS & GND PINS AND OTHER PINS: 40mA/PIN MAX.
    - SHIELD: 50mA/MAX.
    - LLCR MAX. CHANGE OF ALL PINS: 10mA.
  - INSULATION RESISTANCE:** 100MΩ MIN
  - DIELECTRIC WITHSTAND VOLTAGE:** AC 100V FOR 1 MINUTE.
- ENVIRONMENTAL PERFORMANCE:**
  - OPERATING TEMPERATURE: -25°C~+85°C.
- IR REFLOW:**
  - THE PEAK TEMPERATURE ON THE BOARD SHALL BE MAINTAINED FOR 10 SECONDS AT 260°C.



RECOMMENDED PCB LAYOUT(TOP VIEW)  
THICKNESS 1.0±0.10MM; DEFAULT TOLERANCE: ±0.05

UNLESS OTHERWISE SPECIFIED TOLERANCES



东莞市汉博电子科技有限公司  
DONGGUAN HANBO TECHNOLOGY CO., LTD

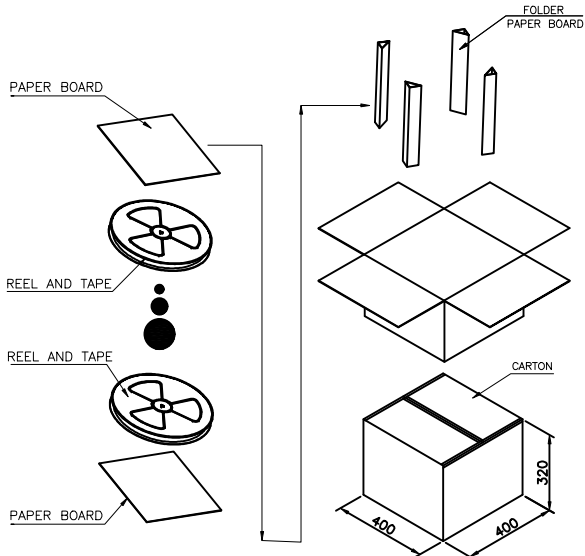
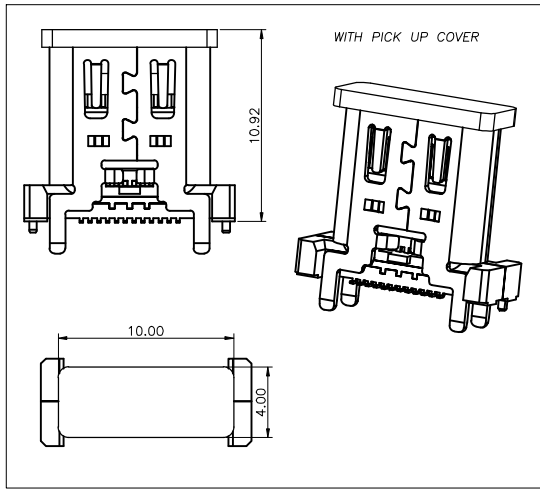
DECIMALS: X ±0.30 X.X ±0.20 X.XX ±0.10  
ANGLES: X ±2° X.X ±1°

| TITLE | USB CF 24P VERTICAL SMT |                   |               |
|-------|-------------------------|-------------------|---------------|
| DWN   | xiong                   | PART NO. MC-232LD |               |
| CHKD  | lee                     | SCALE: 1:1        | UNIT: mm      |
| APVD  | wang                    | SIZE: A4          | SHEET: 1 OF 1 |

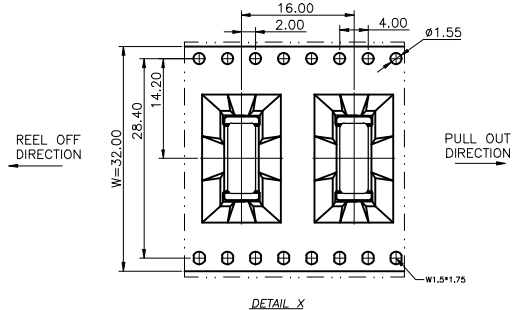
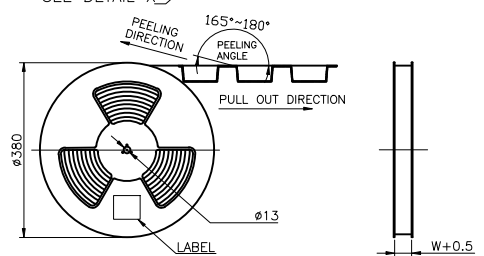
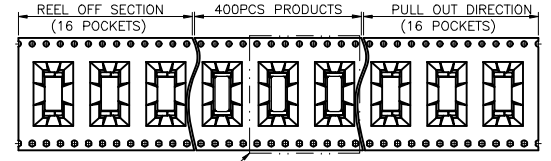
CUSTOMER COPY



|         |                       |
|---------|-----------------------|
| 5       | 6                     |
| REV.    | ECN NO OR DESCRIPTION |
| REVISED | DATE                  |
|         |                       |

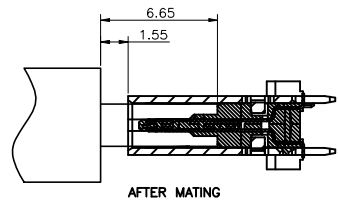


|                 |           |        |
|-----------------|-----------|--------|
|                 | REEL/TRAY | CARTON |
| CONNECTOR (PCS) | 400       | 4000   |



USB TYPE-C PIN ASSIGNMENTS

| PIN NUMBER | SIGNAL NAME | PIN NUMBER | SIGNAL NAME |
|------------|-------------|------------|-------------|
| A1         | GND         | B12        | GND         |
| A2         | SSTXp1      | B11        | SSRXp1      |
| A3         | SSTXn1      | B10        | SSRXn1      |
| A4         | Vbus        | B9         | Vbus        |
| A5         | CC1         | B8         | SBU2        |
| A6         | Dp1         | B7         | Dn2         |
| A7         | Dn1         | B6         | Dp2         |
| A8         | SBU1        | B5         | CC2         |
| A9         | Vbus        | B4         | Vbus        |
| A10        | SSRXn2      | B3         | SSTXn2      |
| A11        | SSRXp2      | B2         | SSTXp2      |
| A12        | GND         | B1         | GND         |



UNLESS OTHERWISE SPECIFIED TOLERANCES

DECIMALS: ANGLES:  
 X :±0.30 X :±2°  
 X.X :±0.20 X.X :±1°  
 X.XX :±0.10

**东莞市汉博电子科技有限公司**  
 DONGGUAN HANBO TECHNOLOGY CO., LTD

|               |                         |                  |             |
|---------------|-------------------------|------------------|-------------|
| TITLE         | USB CF 24P VERTICAL SMT |                  |             |
| DWN           | xiong                   | PART NO.MC-232LD |             |
| CHKD          | lee                     | SCALE:1:1        | UNIT: mm    |
| APVD          | wang                    | SIZE: A4         | SHEET:10F 1 |
| REV: A4       |                         |                  |             |
| CUSTOMER COPY |                         |                  |             |