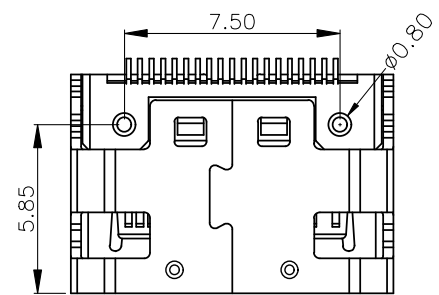
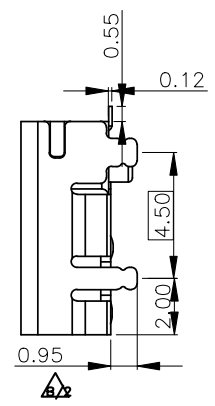
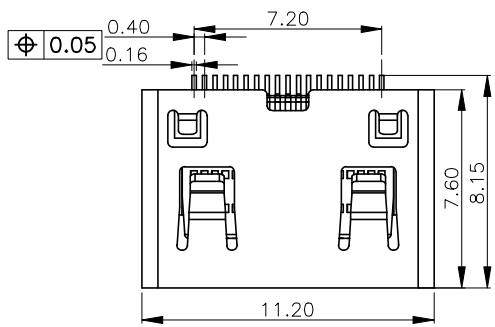
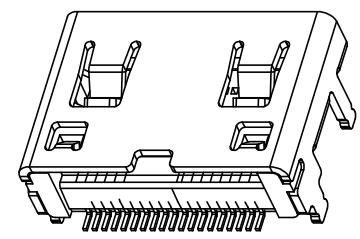
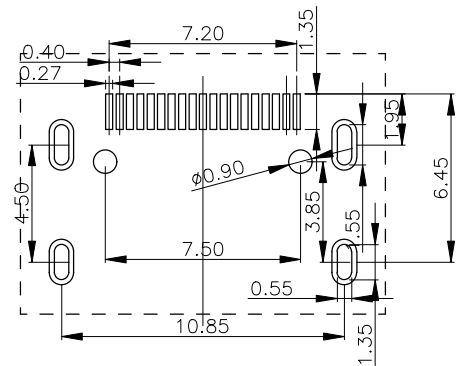
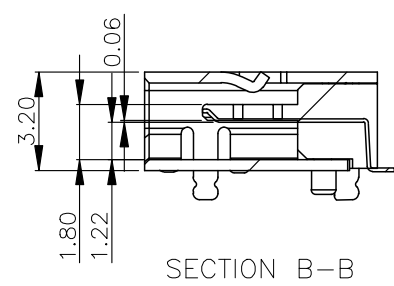
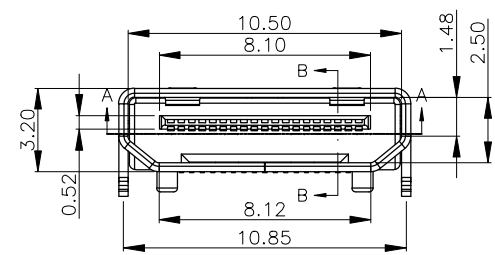




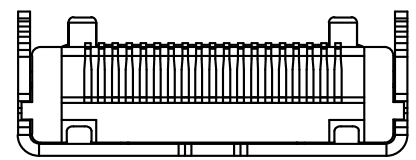
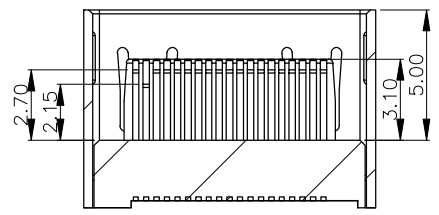
| REV. | ECN NO OR DESCRIPTION | REVISED | DATE |
|------|-----------------------|---------|------|
|      |                       |         |      |



**NOTES:**  
 1.MATERIAL:  
 HOUSING: HIGH TEMPERATURE THERMOPLASTIC UL94V\_0,COLOR:BLACK.  
 CONTACT: COPPER ALLOYS.  
 COVER: COPPER ALLOYS OR STEEL.  
 2.PLATING:  
 UNDERPLATE: NICKEL.  
 CONTACT AREA: GOLD OVER NICKEL.  
 SOLDER AREA: GOLD OVER NICKEL.  
 3.MULTIMEDIA CARD COMPATIBLE



RECOMMENDED P.C.B HOLE LAYOUT  
 COMPONENT SIDE VIEW(TOLERANCE: +/-0.05)



|                                       |          |   |                      |                   |             |
|---------------------------------------|----------|---|----------------------|-------------------|-------------|
| UNLESS OTHERWISE SPECIFIED TOLERANCES |          | 东莞市汉博电子科技有限公司<br>DONGGUAN HANBO TECHNOLOGY CO., LTD |                      |                   |             |
| DECIMALS:                             | ANGLES:  | TITLE   | MINI HDMI C TYPE 铜镀金 |                   |             |
| X :±0.35                              | X :±2°   | DWN   | xiong                | PART NO. HDMI-211 |             |
| X.X :±0.25                            | X.X :±1° | CHKD  | lee                  | SCALE:1:1         | UNIT: mm    |
| X.XX :±0.15                           |          | APVD  | wang                 | SIZE: A4          | SHEET:1OF 1 |
| CUSTOMER COPY                         |          |   |                      |                   |             |