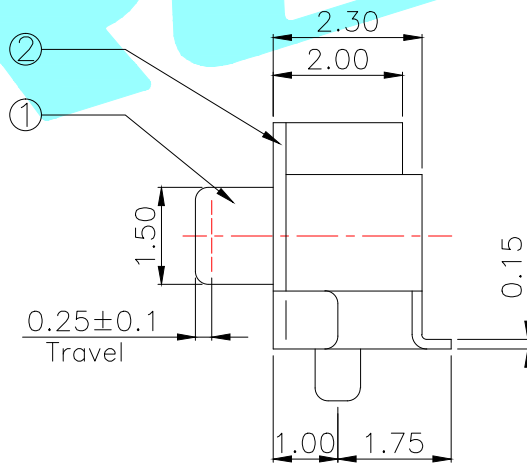
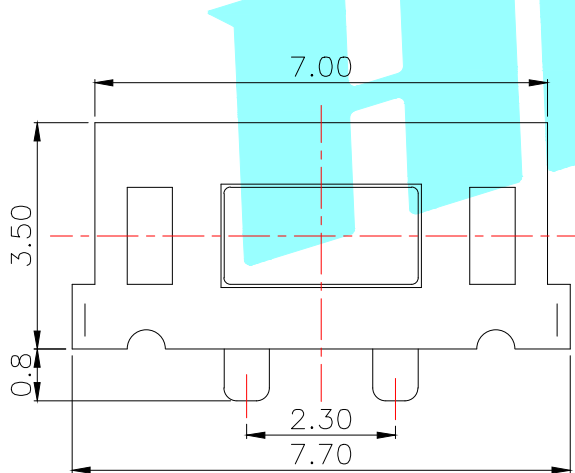


PCB Layout recommended

Circuit diagram



NO.1	
PART NO	VIGOR
3	180±35
4	250±35

NO.3-NO.4	
PART NO	NOTE
01~99	SERIAL NUMBER

NO.2	
PART NO	MATERIAL/QTY
S	SUS/1PC
D	SUS/2PCS

PART NO.	
K2-1112GA	K2-1112GN

ITEM	PART NAME	TER'NO.	QTY.	MATERIAL	FINISHING	REMARK
⑤	Terminal	—	2	Phosphor Bronze	Plating silver	—
④	Contact	—	2	F.Ag/SUS	Natural	—
③	Base	—	1	LCP	White	—
②	Cover	—	1	Brass(0.20t)	Plating Nickel	—
①	Keystoke	—	1	Silica gel Δ	Black	—

APPROVALS		DATE	HRO 韓榮 ELECTRONICS CO.,LTD			
DRAWN	JKUN.LU	2018.3.28	TITLE:	TACT SWITCHES		
CHECKED			PART NO.	K2-1112G□-A□□W-□□		
APPROVALS			UNIT: mm	SCALE: 1:1	PROJ:	
TOLERANCES ARE	30~以上 ±0.30	ANGLE	DRAWING NO.		SHEET	1 OF 1
	10~30 ±0.20					
	5~10 ±0.15	±2°				
	~ 5 ±0.10					

ECN NO.	REV.	DATE.	DESCRIPTION.	CHANGE.	CHECK.	APPRO.
	A		NEW			