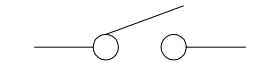
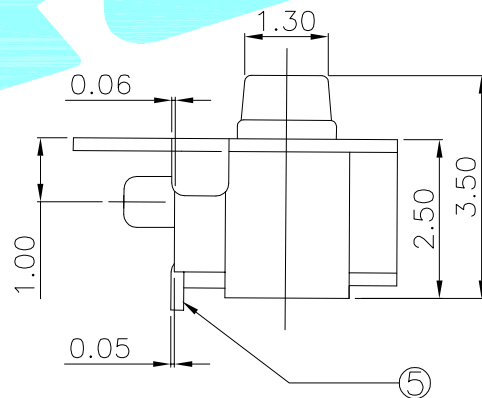
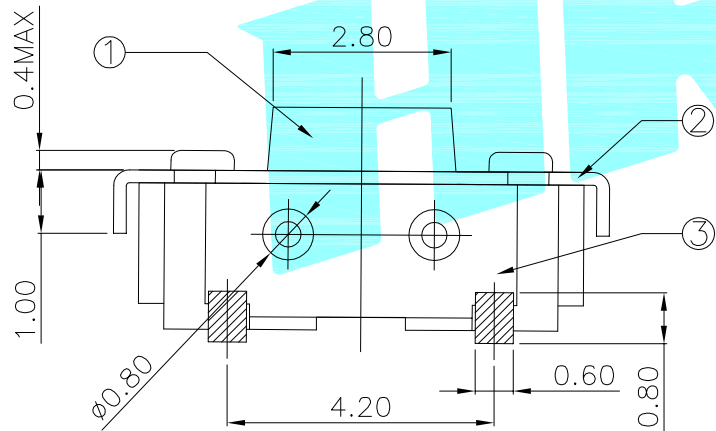


PCB Layout recommended

NO.1	
PART NO	VIGOR
3	180±35
4	250±35

NO.2	
PART NO	MATERIAL/QTY
S	SUS/1PC

NO.3-NO.4	
PART NO	NOTE
01~99	SERIAL NUMBER



Circuit diagram

⑤	Terminal	—	2	Phosphor Bronze	Plating silver	—
④	Contact	—	2	F.Ag/SUS	Natural	—
③	Base	—	1	LCP	White	—
②	Cover	—	1	Brass(0.20t)	Plating Nickel	—
①	Keystoke	—	1	LCP	Black	—
ITEM	PART NAME	TER'NO.	QTY.	MATERIAL	FINISHING	REMARK

APPROVALS		DATE	 ELECTRONICS CO.,LTD			
DRAWN	JKUN.LU	2018.8.1				
CHECKED			TITLE:	TACT SWITCHS		
APPROVALS			PART NO.	K2-1112SQ-A□□W-□□		
TOLERANCES ARE	30~以上	±0.30	ANGLE	UNIT: mm	SCALE: 1:1	PROJ:
	10~30	±0.20				
	5~10	±0.15				
	~ 5	±0.10	±2'	DRAWING NO.		SHEET 1 OF 1

—	A	—	NEW	—	—	—
ECN NO.	REV.	DATE.	DESCRIPTION.	CHANGE.	CHECK.	APPRO.