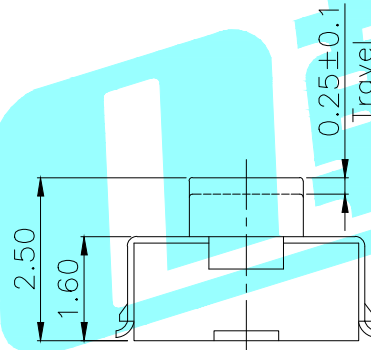
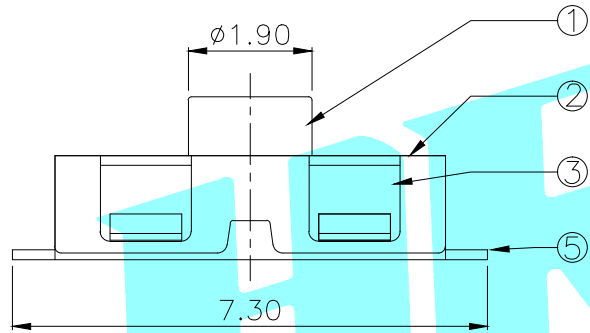


Circuit diagram

PCB Layout (Pattern Side)



NO.1	
PART NO	vigor
1	90±30
2	130±30
3	180±30
4	250±30
5	350±50

NO.3-NO.4	
PART NO	NOTE
01~99	SERIAL NUMBER

NO.2	
PART NO	MATERIAL/QTY
S	SUS/1PC
D	SUS/2PCS

- Notes:
- 1.Rating: 12V DC 50ma
  - 2.Contact resistance: 100mΩ Max
  - 3.Insulation resistance: 100MΩ 250vac for 1Min
  - 4.Dielectric strength: 250V AC(50/60hz) for 1Min
  - 5.Life test:100,000 Cycles
  - 6.Travel: 0.25±0.1mm

ITEM	PART NAME	TER'NO.	QTY.	MATERIAL	FINISHING	REMARK
⑤	Terminal	—	2	Phosphor Bronze	Plating silver	—
④	Contact	—	1	SUS	Plating silver	—
③	Base	—	1	Nylon	Black	—
②	Cover	—	1	SUS	Natural	—
①	Keystoke	—	1	Silica gel	Black	—

APPROVALS		DATE	HRO® ELECTRONICS CO.,LTD			
DRAWN	JKUN.LU	2016/6/30	TITLE:	TACT SWITCHS		
CHECKED			PART NO.	K2-1111SQ-A□□W-□□		
APPROVALS			UNIT: mm	SCALE: 1:1	PROJ:	
TOLERANCES ARE		30~以上: ±0.30	ANGLE	UNIT: mm	SCALE: 1:1	PROJ:
		10~30: ±0.20	±2'	DRAWING NO.		SHEET 1 OF 1
		5~10: ±0.15				
		~ 5: ±0.10				

ECN NO.	REV.	DATE.	DESCRIPTION.	CHANGE.	CHECK.	APPRO.
	A		NEW			