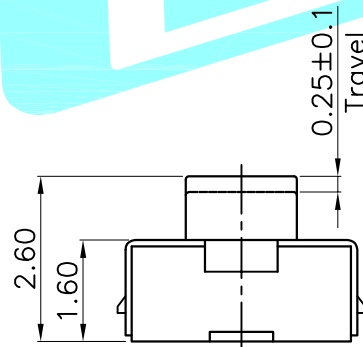
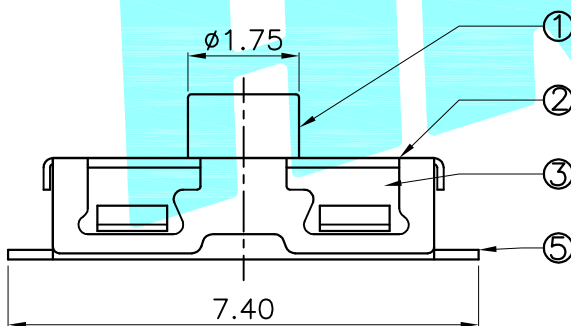


Circuit diagram

PCB Layout (Pattern Side)



NO.1	
PART NO	vigor
4	200±50

NO.3-NO.4	
PART NO	NOTE
01~99	SERIAL NUMBER

NO.2	
PART NO	MATERIAL/QTY
S	SUS/1PC
D	SUS/2PCS

⑤	Terminal	—	2	Phosphor Bronze	Plating silver	—
④	Contact	—	2	F.Ag/SUS	Plating silver	—
③	Base	—	1	Nylon	Black	—
②	Cover	—	1	SUS	Natural	—
①	Keystoke	—	1	Silica gel	Blue	—
ITEM	PART NAME	TER'NO.	QTY.	MATERIAL	FINISHING	REMARK

APPROVALS		DATE		 ELECTRONICS CO.,LTD				
DRAWN	J.X.Zhang	2013/6/30						
CHECKED				TITLE:	TACT SWITCHS			
APPROVALS				PART NO.	K2-1111SP-A□□W-□□			
TOLERANCES ARE			30~以上	±0.30	ANGLE	UNIT: mm		
			10~30	±0.20				
			5~10	±0.15				
			~ 5	±0.10				
				±2'	SCALE: 1:1	PROJ:		
ECN NO.	REV.	DATE.	DESCRIPTION.	CHANGE.	CHECK.	APPRO.	DRAWING NO.	SHEET 1 OF 1

—	A	—	NEW	—	—	—
ECN NO.	REV.	DATE.	DESCRIPTION.	CHANGE.	CHECK.	APPRO.