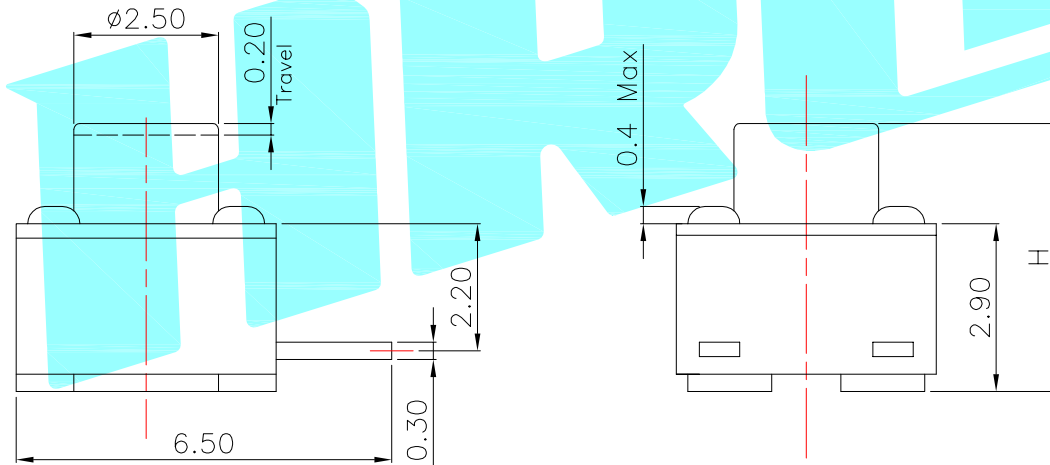


PCB Layout(Pattern Side)



NO.1	
PART NO	H
A	3.8
B	4.3
C	4.8
D	5
E	5.5
F	6
G	6.5
H	7
I	7.5
J	8
K	8.5
L	9

NO.2	
PART NO	vigor
1	90±30
2	130±30
3	180±30
4	250±30
5	350±50

NO.3	
PART NO	MATERIAL/QTY
S	SUS/1PC
C	C5210/1PC
D	SUS/2PCS
F	C5210/2PCS

NO.4-NO.5	
PART NO	NOTE
01~99	SERIAL NUMBER

⑤	Terminal	—	3	Brass(0.30t)	Plating silver	—
④	Contact	—	1	F.Ag/SUS	—	—
③	Base	—	1	PA46	Black	—
②	Cover	—	1	SUS	—	—
①	Keystoke	—	1	PA46	Black	—
ITEM	PART NAME	TER'NO.	QTY.	MATERIAL	FINISHING	REMARK

APPROVALS		DATE	HROELECTRONICS®			
DRAWN	JKUN.LU	2013/6/24	ELECTRONICS CO.,LTD			
CHECKED			TITLE:	TACT SWITCHS		
APPROVALS			PART NO.	K2-1109DF-□□□W-□□		
TOLERANCES ARE		30~以上: ±0.30	ANGLE	UNIT: mm	SCALE: 1:1	PROJ:
		10~30: ±0.20				
		5~10: ±0.15				
		~ 5: ±0.10	±2°	DRAWING NO.		SHEET 1 OF 1

ECN NO.	REV	DATE.	DESCRIPTION.	CHANGE.	CHECK.	APPRO.
	A		NEW			