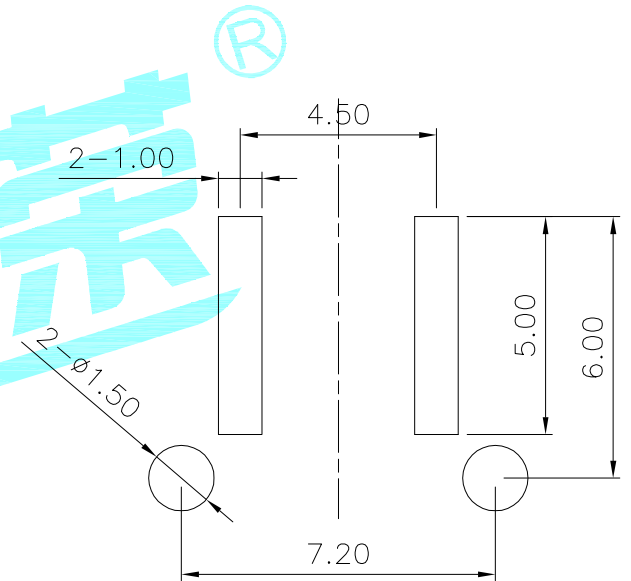
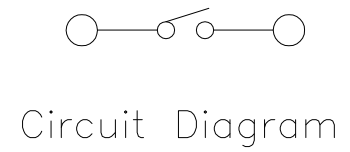
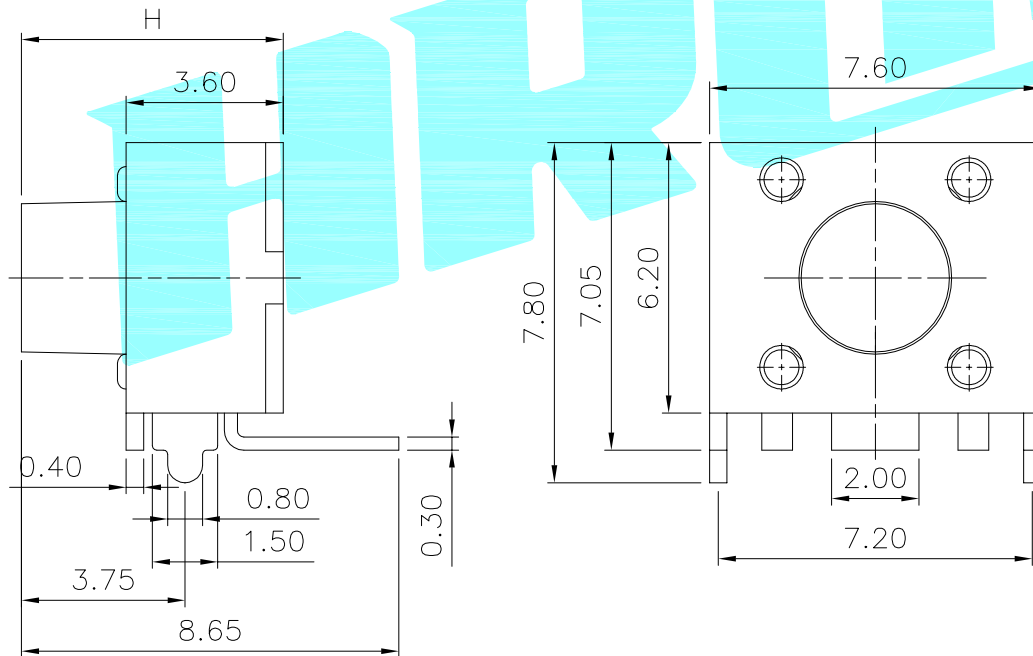


NO.1	
PART NO	H
A	4.3
B	4.5
C	5
D	5.5
E	6
F	6.5
G	7
H	7.5
I	8

NO.2	
PART NO	vigor
1	90±30
2	130±30
3	180±30
4	250±30
5	350±50

NO.3-NO.4	
PART NO	NOTE
01~99	SERIAL NUMBER



⑤	Terminal	—	4	Brass(0.30t)	Plating silver	—
④	Contact	—	1	F.Ag/SUS	—	—
③	Base	—	1	Nylon	Black	—
②	Cover	—	1	SPCC	Plating Nickel	—
①	Keystoke	—	1	PA46	Black	—
ITEM	PART NAME	TER'NO.	QTY.	MATERIAL	FINISHING	REMARK

APPROVALS		DATE	HROE® ELECTRONICS CO.,LTD			
DRAWN	xu qi feng	2014.12.04	TITLE:	TACT SWITCHS		
CHECKED			PART NO.	K2-1102AP-□□SW-□□		
APPROVALS			UNIT: mm	SCALE: 1:1	PROJ:	④
TOLERANCES ARE	30~以上 ±0.30	10~30 ±0.20	ANGLE	DRAWING NO.		SHEET 1 OF 1
	5~10 ±0.15	~ 5 ±0.10	±2'			

ECN NO.	REV.	DATE.	DESCRIPTION.	CHANGE.	CHECK.	APPRO.
	A		NEW			