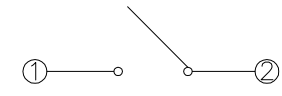
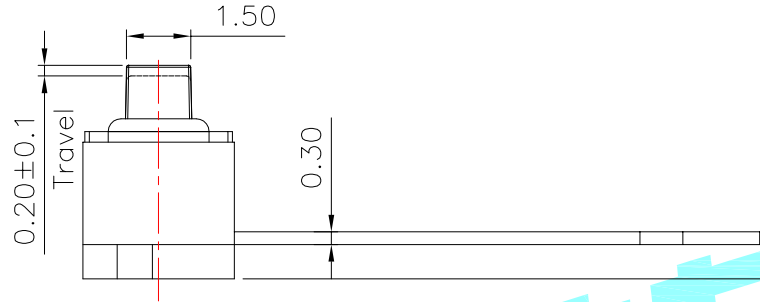
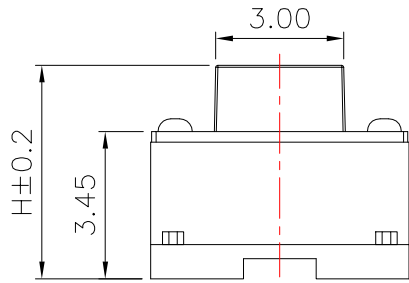
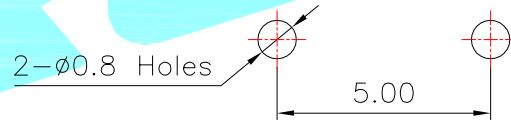
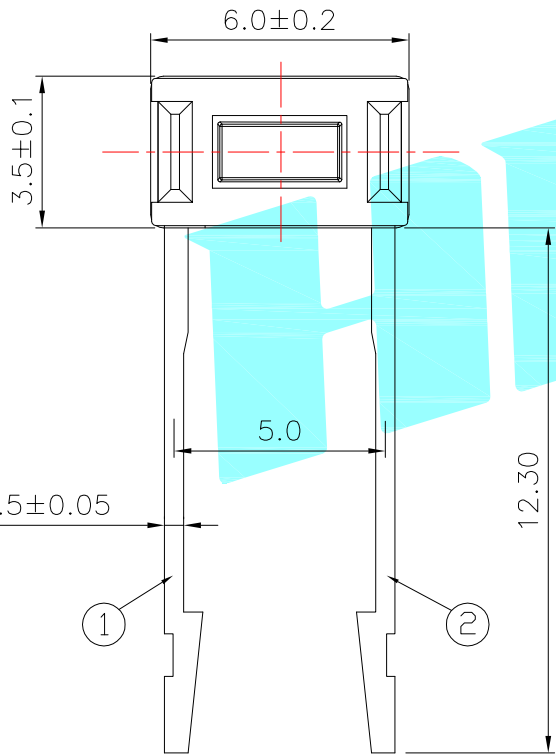


ROHS



Circuit Diagram



PCB Layout (Pattern Side)

Operating force: 250±40gf



NO.1	
PART NO	H
A	4.3
C	5.0
E	6.0
G	7.0

NO.2-NO.3	
PART NO	NOTE
01~99	SERIAL NUMBER

⑤	Terminal	—	2	Brass(0.30t)	Plating silver	—
④	Contact	—	1	F.Ag/SUS	Plating silver	—
③	Base	—	1	PPA	Black	—
②	Cover	—	1	SPCC	Plating Tin	—
①	Keystoke	—	1	PPA	White	—
ITEM	PART NAME	TER'NO.	QTY.	MATERIAL	FINISHING	REMARK

APPROVALS		DATE	HRO 韓榮® ELECTRONICS CO.,LTD			
DRAWN	LIUCAN	2021.10.11	TITLE:	TACT SWITCHS		
CHECKED			PART NO.	K2-1101DQ-□4SW-□□		
APPROVALS			UNIT: mm	SCALE: 1:1	PROJ:	
TOLERANCES ARE	30~以上 ±0.30	10~30 ±0.20	ANGLE	DRAWING NO.	SHEET 1 OF 1	
	5~10 ±0.15	~ 5 ±0.10	±2'			

ECN NO.	REV.	DATE.	DESCRIPTION.	CHANGE.	CHECK.	APPRO.
—	A	—	NEW	—	—	—