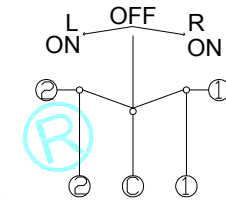
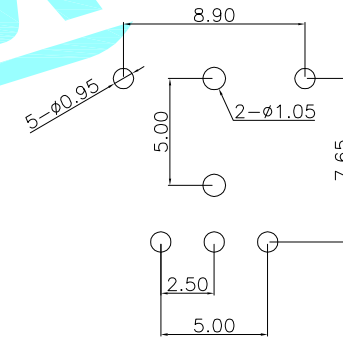
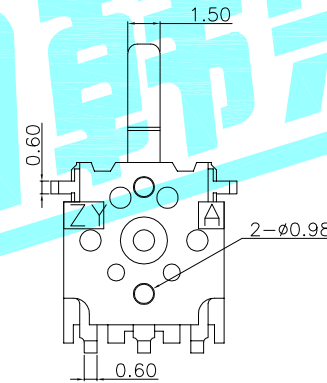


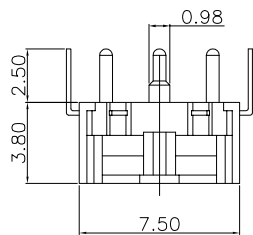
从开关顶端2毫米的位置 往L以及R方向移动时 ON开始位置在 $0.5 \pm 0.35$



CIRCUIT DIAGRAM



PCB LAND DIMENSION



技术要求:

1. 零件表面应光洁, 注塑件无明显飞边及注塑缺陷, 插脚无毛刺及变形;
2. 在PP'切线方向测量动作力为 $\leq 0.50N$ ;
3. 手柄左右转过 $\leq 7^\circ$  必须不通电;
4. 未注尺寸公差均按GB1804-m级精度要求.

⑤	Contact Spring	—	1	SUS	Natural	—
④	Terminal	—	4	Phosphor Bronze	Ag Plated	—
③	Base	—	1	PA66	Black	—
②	Cover	—	1	SUS	Black	—
①	Knob	—	1	POM	Black	—
ITEM	PART NAME	TER'NO.	QTY.	MATERIAL	FINISHING	REMARK

APPROVALS		DATE		 ELECTRONICS CO.,LTD		
DRAWN	J.X.Zhang	2018/8/1				
CHECKED				TITLE: DETECTOR SWITCHES		
APPROVALS				PART NO. K5-1675DA-01		
TOLERANCES ARE		30~以上	±0.30	ANGLE	UNIT: mm	SCALE: 1:1
		10~30	±0.20			
		5~10	±0.15			
		~ 5	±0.10			
		±2'		DRAWING NO.	PROJ:	
				SHEET 1 OF 1		

ECN NO.	REV. A	DATE.	NEW	DESCRIPTION.	CHANGE.	CHECK.	APPRO.
---------	--------	-------	-----	--------------	---------	--------	--------