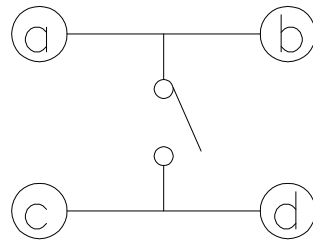
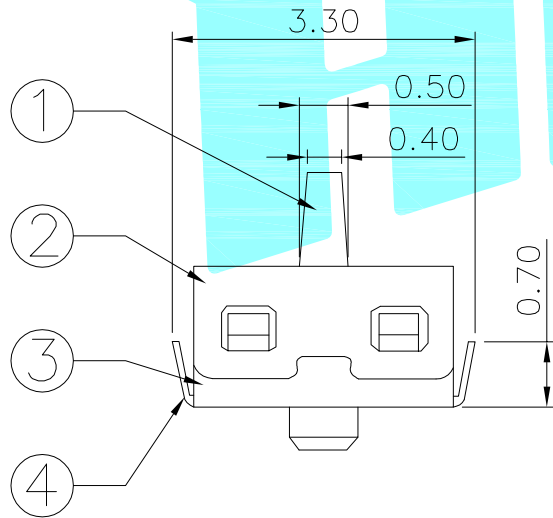
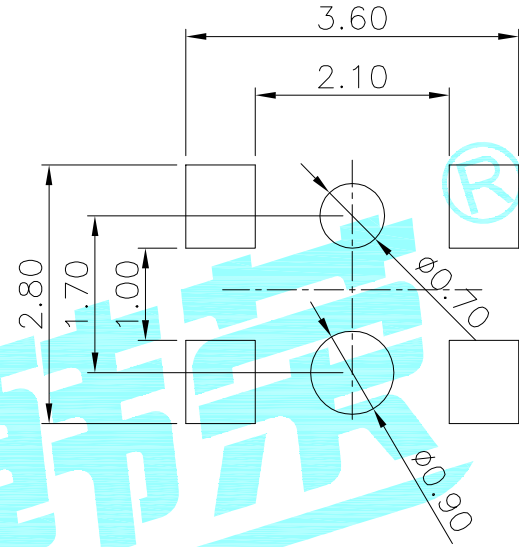
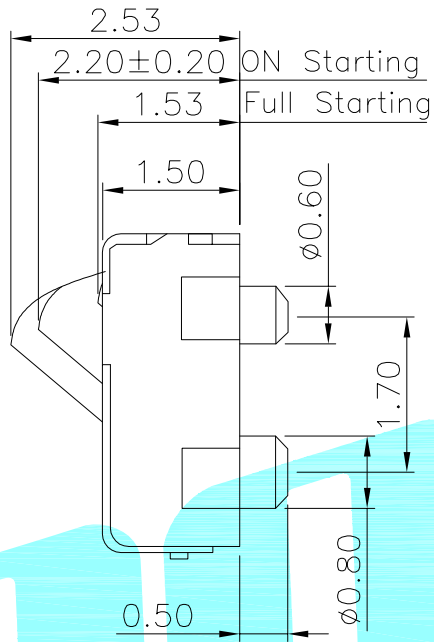
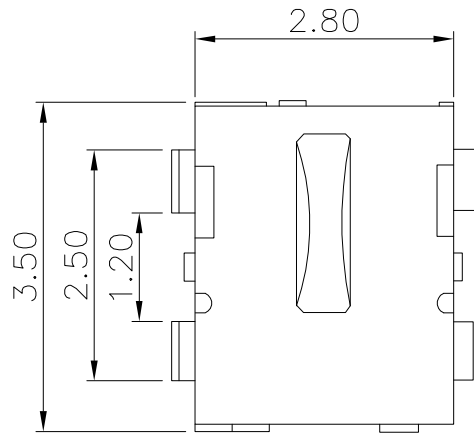


ROHS



Circuit Diagram

NOTE:

Rating: DC 12V 50mA
 Operating Force: 40±15gf
 Lifetime: 100,000 Cycles

ITEM	PART NAME	TER'NO.	QTY.	MATERIAL	FINISHING	REMARK
⑥	Spring plate	—	1	SUS	Natural	—
⑤	Contact Spring	—	1	Phosphor Bronze	Ag Plated	—
④	Terminal	—	4	Phosphor Bronze	Ag Plated	—
③	Base	—	1	LCP	Black	—
②	Cover	—	1	SUS	Natural	—
①	Slider	—	1	PA46	Black	—

APPROVALS		DATE	HROELECTRONICS CO.,LTD			
DRAWN	J.X.Zhang	2018/8/1	TITLE:		DETECTOR SWITCHES	
APPROVALS			PART NO.		K5-1671SN-01	
TOLERANCES ARE		30~以上 ±0.30 10~30 ±0.20 5~10 ±0.15 ~ 5 ±0.10	ANGLE	UNIT: mm	SCALE: 1:1	PROJ:
ECN NO.	REV.	DATE.	DESCRIPTION.	CHANGE.	CHECK.	APPRO.

ECN NO.	REV.	DATE.	DESCRIPTION.	CHANGE.	CHECK.	APPRO.
—	A	—	NEW	—	—	—

HROELECTRONICS CO.,LTD

TITLE: DETECTOR SWITCHES
 PART NO. K5-1671SN-01
 UNIT: mm SCALE: 1:1
 SHEET 1 OF 1