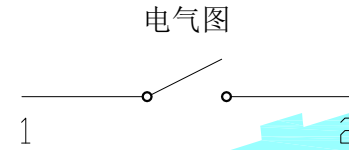
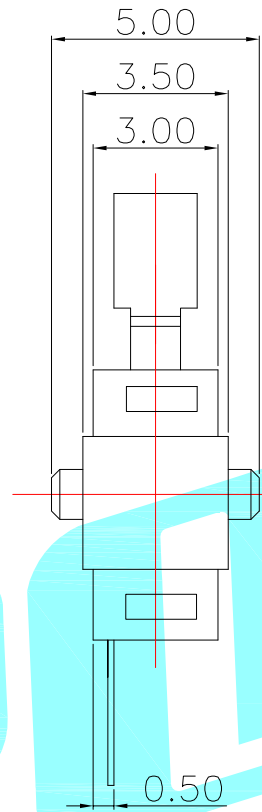
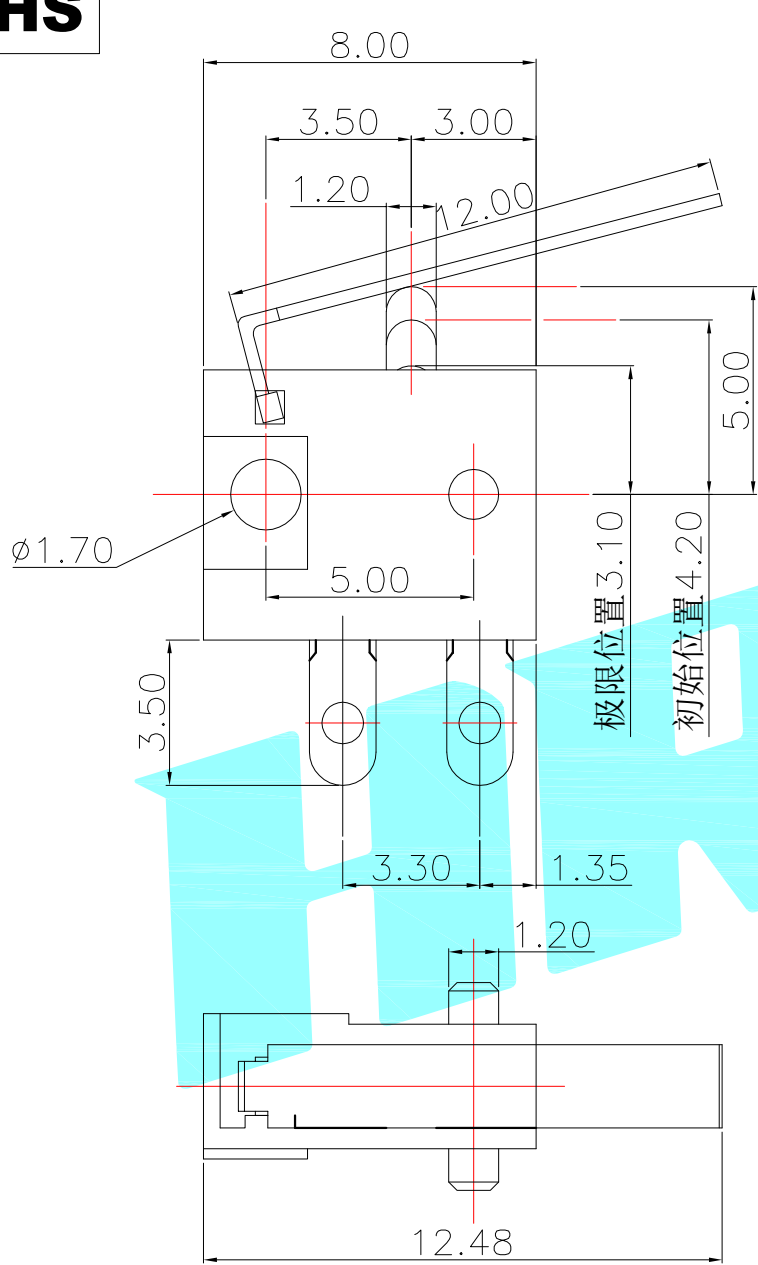


**ROHS**



CIRCUIT DIAGRAM

**技术要求**

1. 零件表面应光洁、无明显飞边,插脚无变形现象;
2. 开关工作应顺畅,无卡滞现象;
3. 未注尺寸公差均按GB1804-f级。

⑤	Lever	—	1	brass	—	—
⑤	Contact Spring	—	1	Phosphor Bronze	—	—
④	Terminal	—	2	Phosphor Bronze	Ag Plated	—
③	Base	—	1	PA66	Black	—
②	Cover	—	1	PA66	Black	—
①	Knob	—	1	POM	Black	—
ITEM	PART NAME	TER'NO.	QTY.	MATERIAL	FINISHING	REMARK

APPROVALS		DATE		 ELECTRONICS CO.,LTD			
DRAWN	J.X.Zhang	2018/8/1					
CHECKED				TITLE:	DETECTOR SWITCHES		
APPROVALS				PART NO.	K5-1670DA-02		
TOLERANCES ARE			30~以上	±0.30	ANGLE	UNIT: mm	
			10~30	±0.20			
			5~10	±0.15			
			~ 5	±0.10			
				±2'	DRAWING NO.		
					SCALE: 1:1	PROJ:	
ECN NO.	REV.	DATE.	DESCRIPTION.	CHANGE.	CHECK.	APPRO.	SHEET 1 OF 1

_____	A	_____	NEW	_____	_____	_____
ECN NO.	REV.	DATE.	DESCRIPTION.	CHANGE.	CHECK.	APPRO.