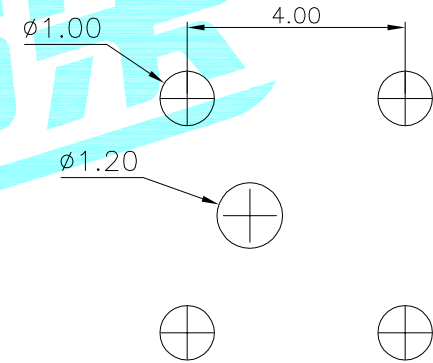
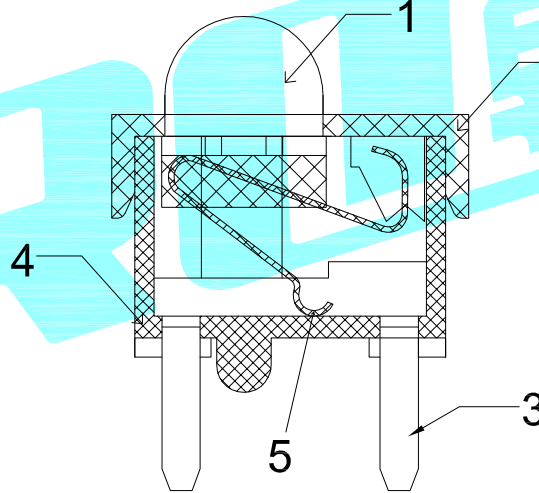
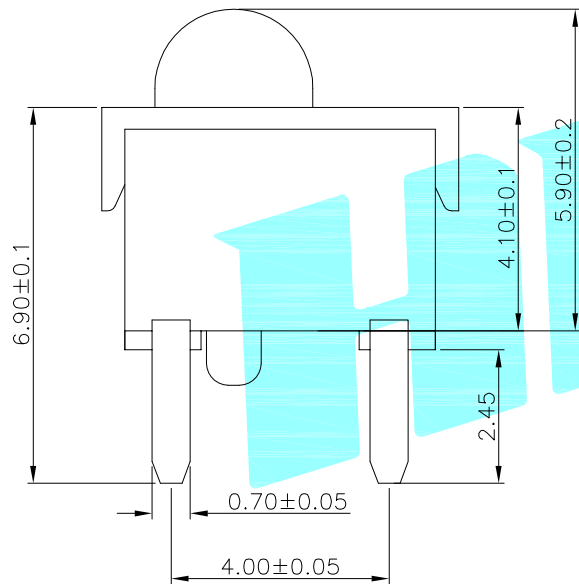


CIRCUIT DIAGRAM



PCB LAND DIMENSION

NOTE:
 Rating: DC 12V 0.1A
 Operating Force: 40 ± 15 gf
 Lifetime: 50,000 Cycles
 Travel: 0.5 ± 0.2 mm
 MAX Travel: 1.8 ± 0.2 mm

⑤	Center Spring	—	1	Phosphor Bronze	Ag Plated	—
④	Base	—	1	PPA	Black	—
③	Terminal	—	4	Phosphor Bronze	Ag Plated	—
②	Cover	—	1	PA46	Natural	—
①	KnOb	—	1	PA46	Black	—
ITEM	PART NAME	TER'NO.	QTY.	MATERIAL	FINISHING	REMARK

APPROVALS		DATE		 ELECTRONICS CO.,LTD				
DRAWN	J.X.Zhang	2018/8/1						
CHECKED				TITLE: DETECTOR SWITCHS				
APPROVALS				PART NO. K5-1669DA-01				
TOLERANCES ARE			30~以上	±0.30	ANGLE	UNIT: mm	SCALE: 1:1	PROJ:
			10~30	±0.20				
			5~10	±0.15				
			~ 5	±0.10				
		±2'		DRAWING NO.		SHEET 1 OF 1		

—	A	—	NEW	—	—	—
ECN NO.	REV.	DATE.	DESCRIPTION.	CHANGE.	CHECK.	APPRO.