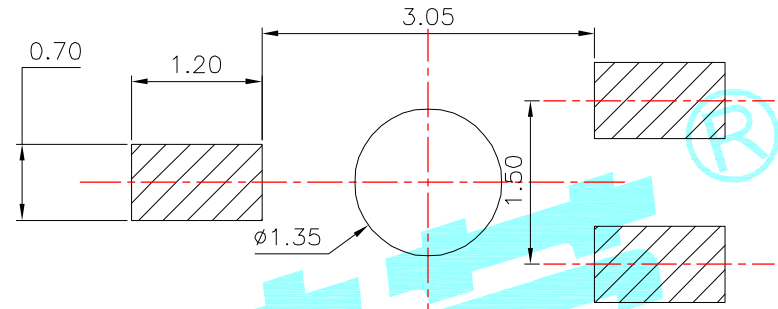
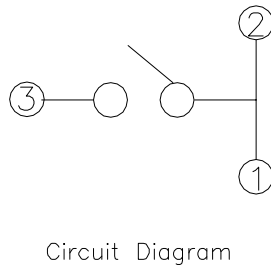
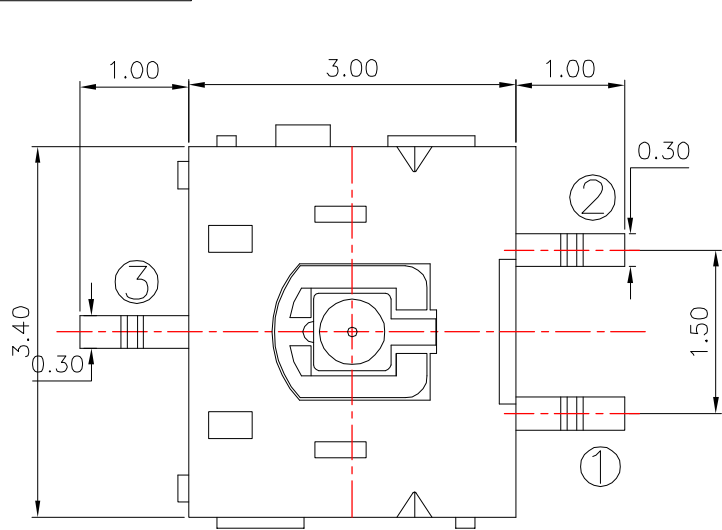


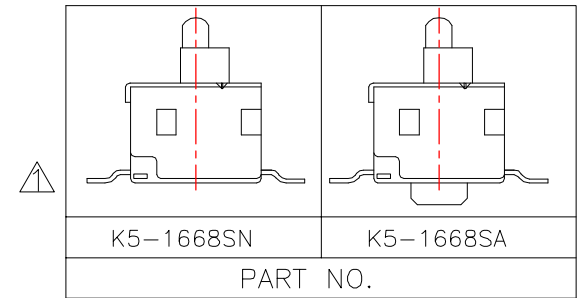
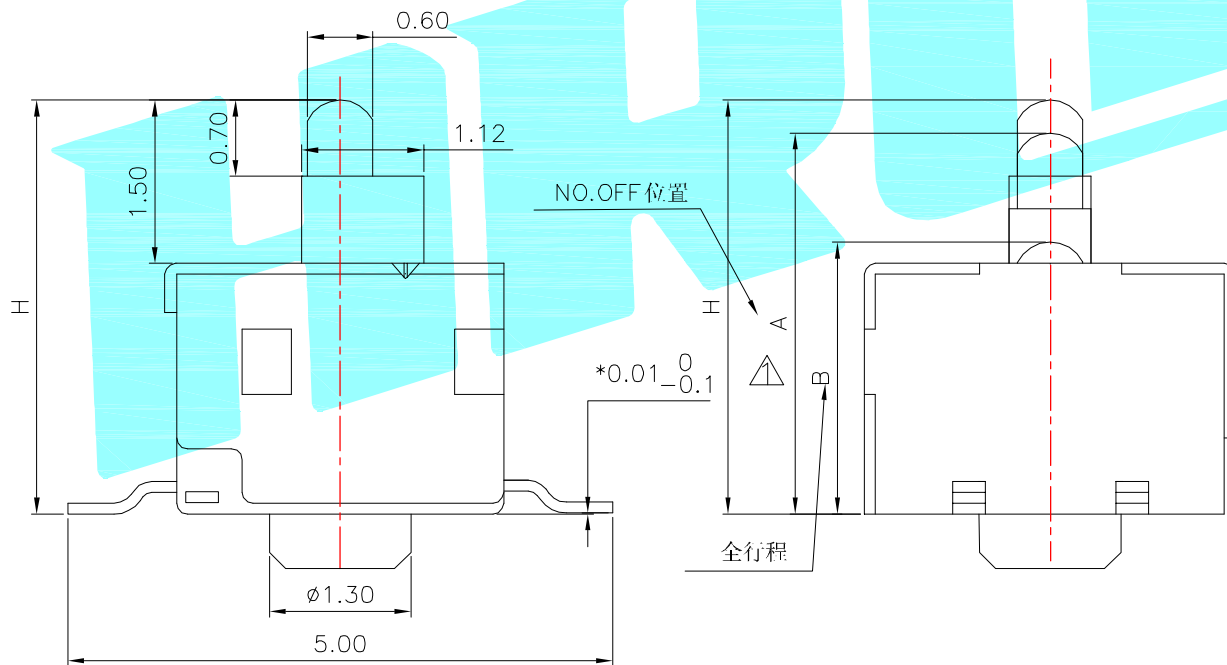
**ROHS**



PCB Layout(Pattern side)

NOTE:  
 Rating: DC 30V 0.1A  
 Operating Force: 20±10gf  
 Lifetime: 50,000 Cycles  
 Packaging: 2800pcs/Reel

NO.	Slider height(H)	ON start position(A)	Total travel(B)
01	3.8	3.5	2.5
02	4.1	3.8	2.9
03	4.8	4.5	3.6
04	5.2	4.9	4.0
05	5.5	5.2	4.3



⑤	Contact Spring	—	1	Be Alloy	Ag Plated	—
④	Terminal	—	3	Brass	Ag Plated	—
③	Housing	—	1	PA46	Black	—
②	Cover	—	1	Brass	Ag Plated	—
①	Slider	—	1	PA46	Black	—
ITEM	PART NAME	TER'NO.	QTY.	MATERIAL	FINISHING	REMARK

APPROVALS		DATE		HRO 廣 ELECTRONICS CO.,LTD		
DRAWN	JKUN.LU	2015.5.11		TITLE:	DETECTOR SWITCHS	
CHECKED				PART NO.	K5-1668S□-□□	
APPROVALS				UNIT: mm	SCALE: 1:1	PROJ:
TOLERANCES ARE			30~以上	±0.30	ANGLE	DRAWING NO.
			10~30	±0.20		
			5~10	±0.15		
			~ 5	±0.10		
				±2'	SHEET 1 OF 1	

ECN NO.	REV.	DATE.	DESCRIPTION.	CHANGE.	CHECK.	APPRO.
—	B	—		—	—	—
—	A	—	NEW	—	—	—