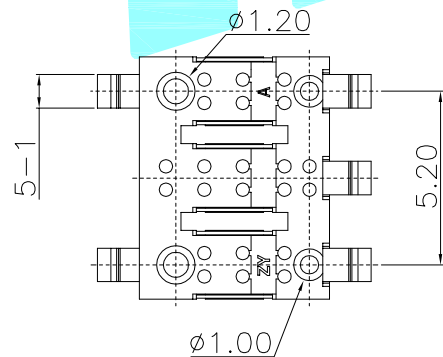
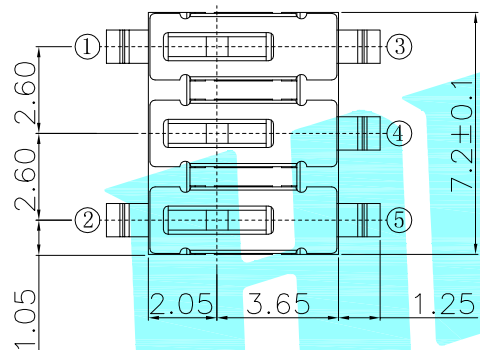
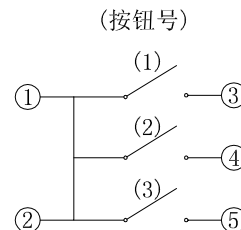


PCB LAND DIMENSION



技术要求:

1. 额定负荷: DC 12V 50mA
2. 绝缘电阻: $\geq 100M\Omega$
3. 耐电压: AC100V 50Hz/1min
4. 电器寿命: 50000次
5. 环境温度: $-10^{\circ} \sim +60^{\circ}$
6. 相对湿度: $40^{\circ}C \leq 95\%$
7. 接触电阻: $\leq 100M\Omega$
8. 接触行程: 0.5 ± 0.2
9. 动作力: 30gf
10. 各零件无明显飞边, 配合要紧密, 不得有明显松动。
11. 未注公差尺寸均按GB1804-m级精度要求。



CIRCUIT DIAGRAM

⑤	Contact Spring	—	1	SUS	Natural	—
④	Terminal	—	4	Phosphor Bronze	Ag Plated	—
③	Base	—	1	PA66	Black	—
②	Cover	—	1	SUS	Black	—
①	Knob	—	1	POM	Black	—
ITEM	PART NAME	TER'NO.	QTY.	MATERIAL	FINISHING	REMARK

APPROVALS		DATE		 HRO ELECTRONICS CO.,LTD									
DRAWN	J.X.Zhang	2018/8/1					TITLE:	DETECTOR SWITCHES					
CHECKED				PART NO.	K5-1673SA-03								
APPROVALS				TOLERANCES ARE	ANGLE	UNIT: mm	SCALE: 1:1	PROJ:					
		30~以上	±0.30	10~30	±0.20	5~10	±0.15	~ 5	±0.10	±2'	DRAWING NO.		SHEET 1 OF 1

—	A	—	NEW	—	—	—
ECN NO.	REV.	DATE.	DESCRIPTION.	CHANGE.	CHECK.	APPRO.