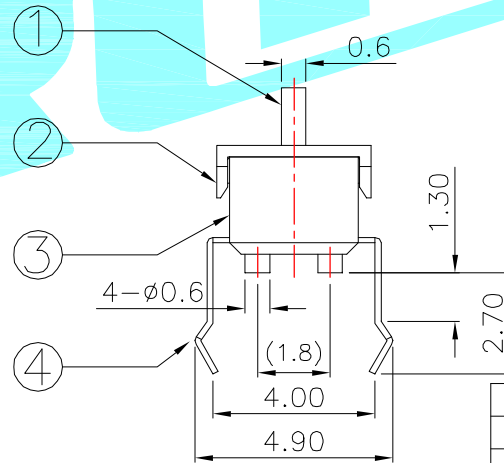
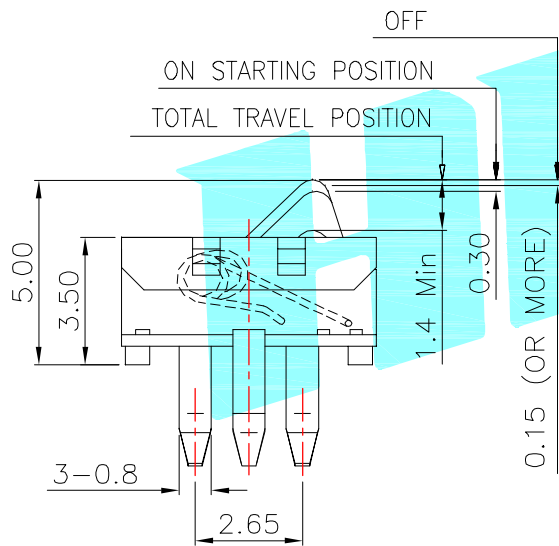


PCB Layout(Pattern side)

Circuit Diagram



NOTE:  
 Rating: DC 5V 1mA  
 Operating Force: 30±10gf  
 Lifetime: 100,000 Cycles

ITEM	PART NAME	TER'NO.	QTY.	MATERIAL	FINISHING	REMARK
⑤	Contact Spring	—	1	Phosphor Bronze	Ag Plated	—
④	Terminal	—	4	Phosphor Bronze	Ag Plated	—
③	Base	—	1	NYLON	Black	—
②	Cover	—	1	NYLON	Black	—
①	Slider	—	1	NYLON	White	—

APPROVALS		DATE		HRO 韓榮 ELECTRONICS CO.,LTD		
DRAWN	J.X.Zhang	2013/9/12		TITLE:	DETECTOR SWITCHES	
CHECKED				PART NO.	K5-1664DA-01	
APPROVALS				UNIT: mm	SCALE: 1:1	PROJ:
TOLERANCES ARE			30~以上	±0.30	ANGLE	DRAWING NO.
			10~30	±0.20		
			5~10	±0.15		
			~ 5	±0.10		
			±2'	SHEET 1 OF 1		

ECN NO.	REV.	DATE.	DESCRIPTION.	CHANGE.	CHECK.	APPRO.
	A		NEW			