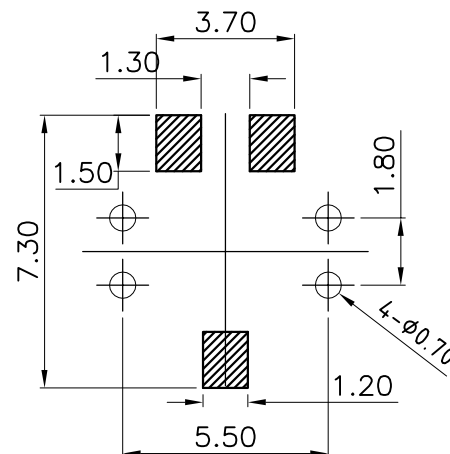
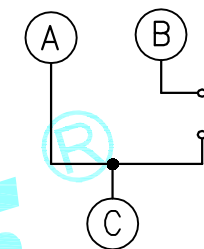


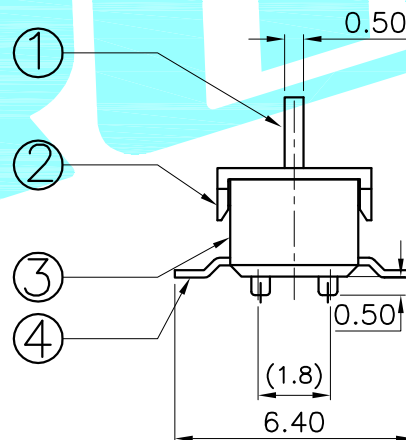
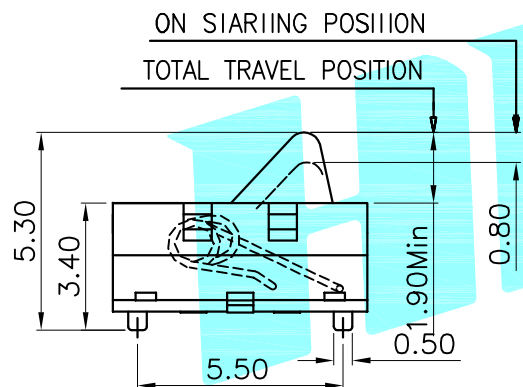
Ⓒ



PCB Layout(Pattern side)



Circuit Diagram



NOTE:  
 Rating: DC 5V 1mA  
 Operating Force: 50±15gf  
 Lifetime: 100,000 Cycles

⑤	Contact Spring	—	1	Phosphor Bronze	Ag Plated	—
④	Terminal	—	4	Phosphor Bronze	Ag Plated	—
③	Base	—	1	NYLON	Black	—
②	Cover	—	1	NYLON	Black	—
①	Slider	—	1	NYLON	White	—
ITEM	PART NAME	TER'NO.	QTY.	MATERIAL	FINISHING	REMARK

APPROVALS		DATE		 ELECTRONICS CO.,LTD		
DRAWN	LIUCAN	2020/10/17				
CHECKED				TITLE: DETECTOR SWITCHES		
APPROVALS				PART NO. K5-1664SA-01		
TOLERANCES ARE			30~以上	±0.30	ANGLE	UNIT: mm
			10~30	±0.20		
			5~10	±0.15		
			~ 5	±0.10		
		SCALE: 1:1	DRAWING NO.		SHEET 1 OF 1	

ECN NO.	REV.	DATE.	DESCRIPTION.	CHANGE.	CHECK.	APPRO.
—	A	—	NEW	—	—	—