

Messrs.  
\_\_\_\_\_**CONFIDENTIAL**

(first • revised)

# Delivery Specifications

Product No. : Quartz Crystal Unit SC-32SItem code : Q-SC32S03220C5AAAFProduct form : 32.768kHz  $\pm 20 \times 10^{-6}$  / 12.5pFThe number of copies : 1 copyData of registration :

Receipt Column	Note

**<NOTICE>**

1. Advance agreement will be needed before changing any contents of the specification herein.
2. Provided that the information herein is subject to change, only revised pages shall be reissued.
3. When the product described herein includes Regulated Products subject The Wassenaar Arrangement etc, they may not be exported without authorization form the appropriate governmental authorities.
4. The contents of this specification including all figures and illustrations are proprietary information ( copyright or know-how ) of Seiko Instruments Inc. It is strictly prohibited to copy all or part of these specifications to third parties without permission.
5. In the case that the products described herein are used as part of any devices or equipment which might influence any one of the human body, human life and property, such as physical exercise equipment, medical equipment or vehicles, please let us know that.

Seiko Instruments Inc.  
Quartz Crystal Division1-8, Nakase, Mihamaku, Chiba shi,  
Chiba 261-8507 Japan

Dept. of Issue

Sales Section

Dept. of Control

Quality Assurance Section

# Delivery Specifications

## 1. Scope

These specifications apply to QUARTZ CRYSTAL RESONATORS ( hereinafter referred to as RESONATORS ) to be manufactured by Seiko Instruments Inc. ( hereinafter referred to as SII ) to \_\_\_\_\_

## 2. Designation

RESONATORS are designated "SC-32S" ( 32.768 kHz ).

## 3. Shape and dimensions

As per the SC-32S drawing shown on page 5 .

## 4. Electrical characteristics

Specified on page 2 through 3 .

## 5. Shipment and packaging

5.1 ( 3,000 ) pcs are the standard lot size to which the lot number shall be allotted

5.2 The packaging shall conform to the resonator packaging standards.

## 6. Outgoing inspection

6.1 When mutually agreed, the outgoing inspection shall be conducted as per the standard on page 4.

6.2 The outgoing inspection slip is not basically affixed to each packaging.

## 7. Warranty

In the event that any defective RESONATORS or defective lot is found at incoming inspection at \_\_\_\_\_ and that any defect resulting from failures in process-control at SII after incoming inspection is found, good RESONATORS shall be supplied to \_\_\_\_\_ free of charge as a replacement.

In the event that any trouble or problems rising directly from RESONATORS occurs, it will be amicably settled between both parties, provided that warranty shall be done within the score of replacement of good RESONATORS.

## 8. Amendment or abolition of the specifications

Amendment or abolition of the specifications shall be made upon mutual consent between \_\_\_\_\_ and SII. If any problem arises, it shall be amicably settled between both parties.

## 9. Effectiveness of the specifications

These specifications are effective after receipt of returned copies with your approved sign.

## 10. Others

This product is completely Pb-free and Halogen-free.

**[1] The maximum rating**

	Item	Symbol	Rating	Note
1	Storage temperature range	T_stg	-55~+125°C	
2	Maximum drive level	DL max.	0.5 $\mu$ W max.	

**[2] Recommended Operating Condition**

	Item	Symbol	Rating	Note
1	Operating temperature range	T_use	-40~+85°C	
2	Drive level	DL	0.1 $\mu$ W typ.	

**[3] Electrical-Characteristics**

Measurement temperature :25±2°C

	Item	Symbol	Specifications	Conditions
1	Nominal frequency	f_nom	32.768 kHz	
2	Frequency tolerance	f_tol	$\pm 20 \times 10^{-6}$	
3	Load capacitance	C <sub>L</sub>	12.5 pF	
4	Motional resistance	R <sub>1</sub>	70 k $\Omega$ max.	Measured with ATI 4192A Impedance analyzer OSC LEVEL = 0.1V
5	Motional capacitance	C <sub>1</sub>	3 fF typ.	
6	Shunt capacitance	C <sub>0</sub>	1 pF typ.	Measured with ATI 4192A Impedance analyzer OSC LEVEL = 0.1V
7	Turnover temperature	T <sub>i</sub>	25 $\pm$ 5°C	Measure this coefficient at 3 points of 10°C、25°C、40°C using C-MOS circuit
8	Parabolic coefficient	B	$(-3 \pm 1) \times 10^{-8} / ^\circ\text{C}^2$	
9	Frequency aging	f_age	$\pm 3 \times 10^{-6}$ /year	25±3°C、First year
10	Insulation resistance	IR	500 M $\Omega$ min.	Measured with ATI 4329A Insulation Resistance Meter Apply DC100V

#### [4] Environment and Mechanical characteristics

	Item	Specifications	Conditions	
1	High temperature storage	$\Delta f/f_0 = \pm 10 \times 10^{-6}$	After storage under 125°C for 1000 hours, measure at room temperature.	*1 *3
2	Low temperature storage	$\Delta f/f_0 = \pm 10 \times 10^{-6}$	After storage under -40°C for 1000 hours, measure at room temperature.	*1 *3
3	High temperature and high humidity storage	$\Delta f/f_0 = \pm 10 \times 10^{-6}$	After storage under +85±2°C , 85 % RH for 1000h, measure at room temperature.	*1 *3
4	Thermal shock resistance	$\Delta f/f_0 = \pm 10 \times 10^{-6}$	Measure at room temperature after 100 cycles. -55°C ⇔ +125°C for 30 minutes.	*1 *3
5	Mechanical shock resistance	$\Delta f/f_0 = \pm 10 \times 10^{-6}$	Measure after 100g-dummy(SII Standard) drop from 1500mm height on the concrete 3directions 10times.	*2
6	Vibration resistance	$\Delta f/f_0 = \pm 10 \times 10^{-6}$	Amplitude 1.5mm and 10~60Hz with cycle time 2~3 minutes in 3 direction (X,Y,and Z axis) each for 2 h.	*2
7	IR Reflow	$\Delta f/f_0 = \pm 10 \times 10^{-6}$	Measure after 2 time reflow under reflow profile specified in page 10	*1
8	Shear strength	No peeling-off	Pressuring force 10N × 10 ± 1sec. according to IEC60068-2-21	*2
9	Peel strength	No peeling-off	Pressuring force 10N × 10 ± 1sec. according to IEC60068-2-21	*2
10	Bending test	No peeling-off	Bending: 3mm × 5 ± 1sec. Thickness of the testing board: 1mm	*2

#### Note:

1. Each test shall be done independently. (not in series tests)
2. \*1: Measure after 24 hours left at room temperature.
3. \*2: Measure after 2 hours left at room temperature.
4. \*3: Pre conditions
  - (1) IR Reflow : 2 times
  - (2) Initial values shall be measured after 24 hours at room temperature.
5. Shift in series resistance after the above tests shall be less than ±20% or less than ±15kΩ.  
In case of resistance to IR reflow and high temperature storage(±125°C for 1000 hours), shift in series resistance after the above tests shall be less than ±30% or ±20kΩ.

## [5] Precautions

### (1) Recommended mounting conditions

Reflow profile       As per reflow profile shown in page 10.  
Manual soldering     350°Cmax. for 4 sec. Max.

### (2) Cleaning

The crystal resonator may be destroyed by ultrasonic cleaning.

We don't guarantee the quality of the product with that cleaning method because such conditions as type of the washing machine, power, time, position in the bath, etc. can not be specified.

Please confirm ultrasonic cleaning is not giving any damage to the product before use when that cleaning method must be used.

## [6] Outgoing inspection standard

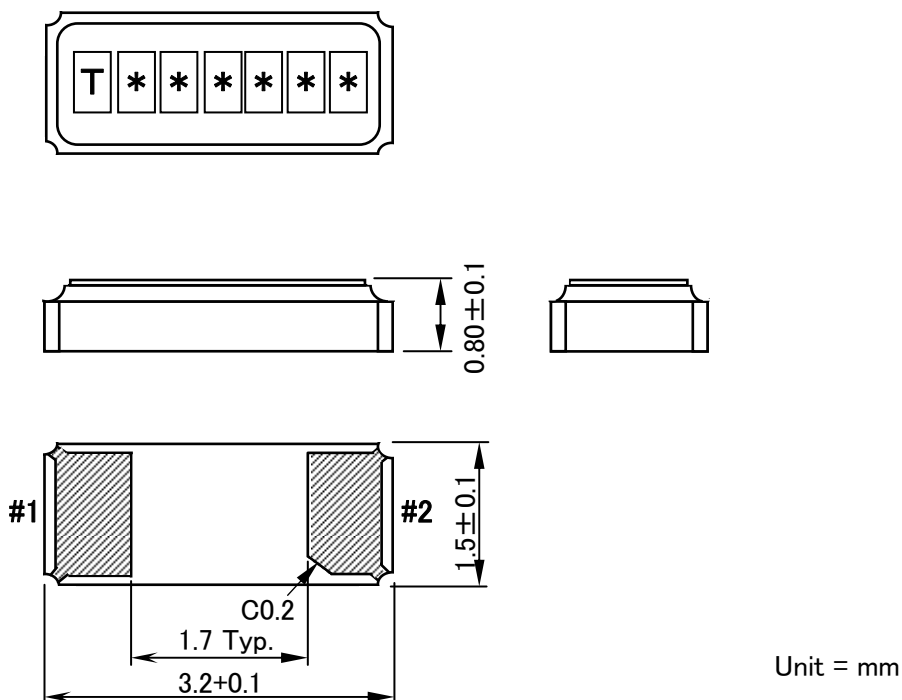
•The outgoing inspection shall be conducted as per the following standard.

•The sampling shall be performed according to the ANSI/ASQC Z1.4-1996.

NO	Item	Sampling level	AQL(%)
1	Frequency tolerance	I	1.0
2	Equivalent series resistance	I	1.0
3	Outer appearance	I	1.5
4	Others characteristics	Periodical quality inspection	

## [7] Dimensions and marking layout

### 1. Out Line Drawing

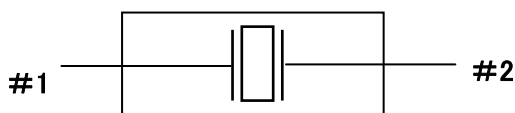


### 2. Marking

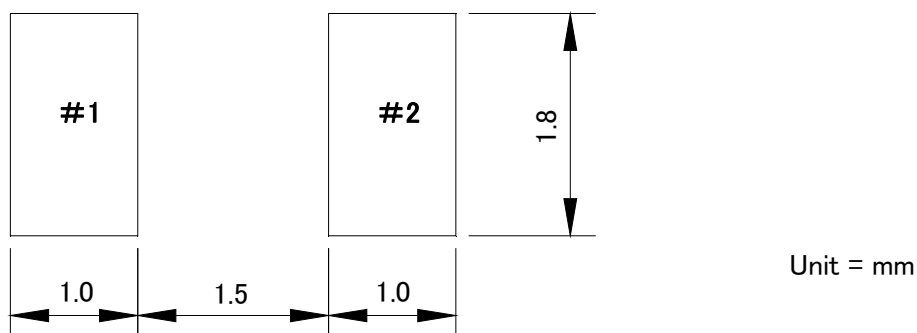


- \*1 Product name
- \*2 Type of product
- \*3 Specification
- \*4 CL
- \*5 Year of Production( Last digit of year )
- \*6,7 Week of Production(01 ~ 52)

### 3. Lead Connection



### 4. Recommended PAD lay-out



### Materials :

- Case: Alumina ceramics, Ni-plated, Au-plated
- Lead : Kovar material, Ni-plated

## [8] Taping specification

### 1. Drawing of tape dimensions

- ① Carrier tape : Refer to page 8.
- ② Taping reel : Refer to page 9.

### 2. Material

- ① Carrier tape : PC black conductive
- ② Taping reel : PS conductive

### 3. Taping method

- (1) Taping shall be placed in tapes in such manner as to assure that marking of the components is visible as per Fig.1

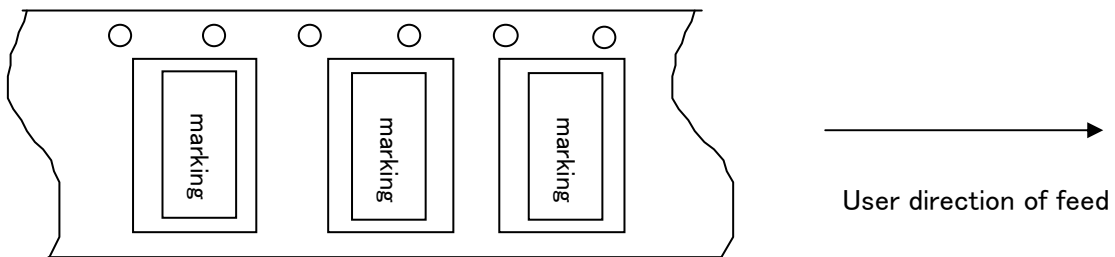


Fig. 1

#### (2) Reel

- ① On the side of reel there shall be more than 40 blocks of "No components".
- ② The beginning of Carrier Tape shall be bent vertically and hooked on groove of reel.

#### (3) Leader

- ① On the side of leader, there shall be more than 40 blocks of "No components"
- ② The length of Leader shall be over 400 mm.
- ③ The Length of Stick Tape for Cover Tape shall be about 100 mm and Stick Tape shall never be detached.

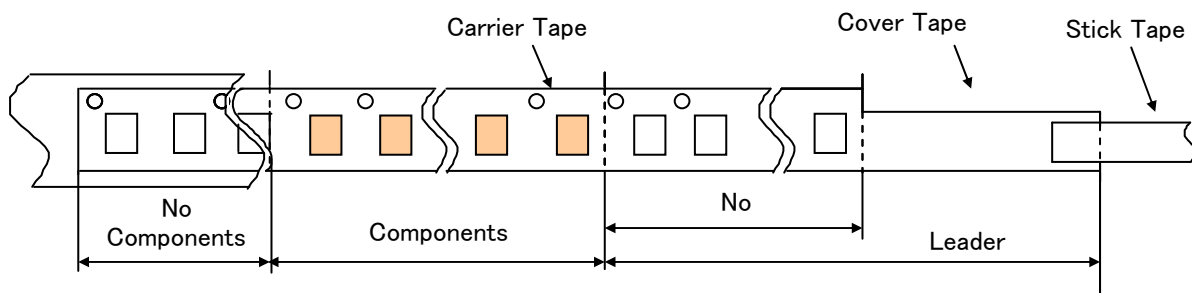


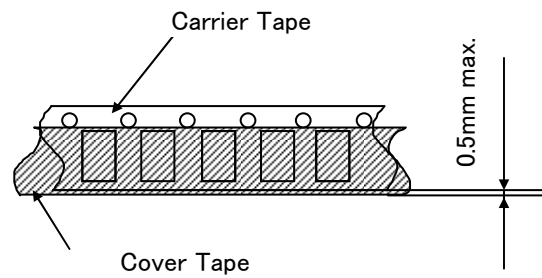
Fig. 2

User direction of feed

## (4) Gap between Carrier Tape and Cover Tape

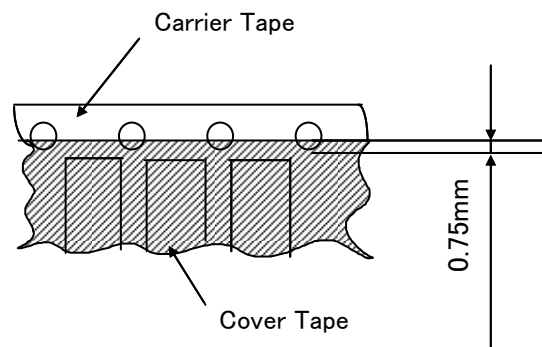
- ① Cover Tape protrudes from Carrier Tape by 0.5mm max.

Fig. 3



- ② Holes of Carrier Tape are covered with Cover Tape by 0.75mm max.

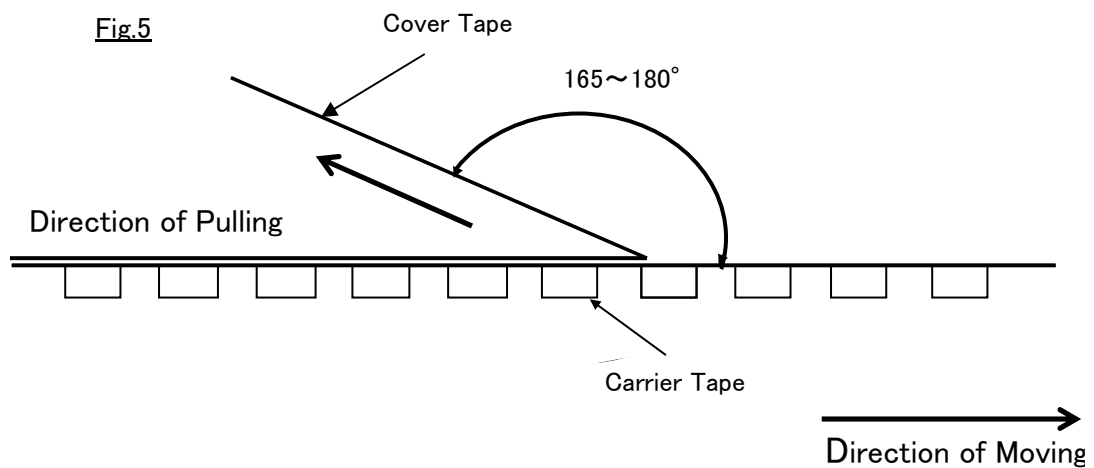
Fig. 4



## (5) Peel strength

- ① The method of testing is done as shown below.  
 ② The value of force is at the beginning of desealing.  
 ③ The Cover Tape peel forth shall be 0.1~1.3N at a peel speed of  $300 \pm 10$ mm/min.

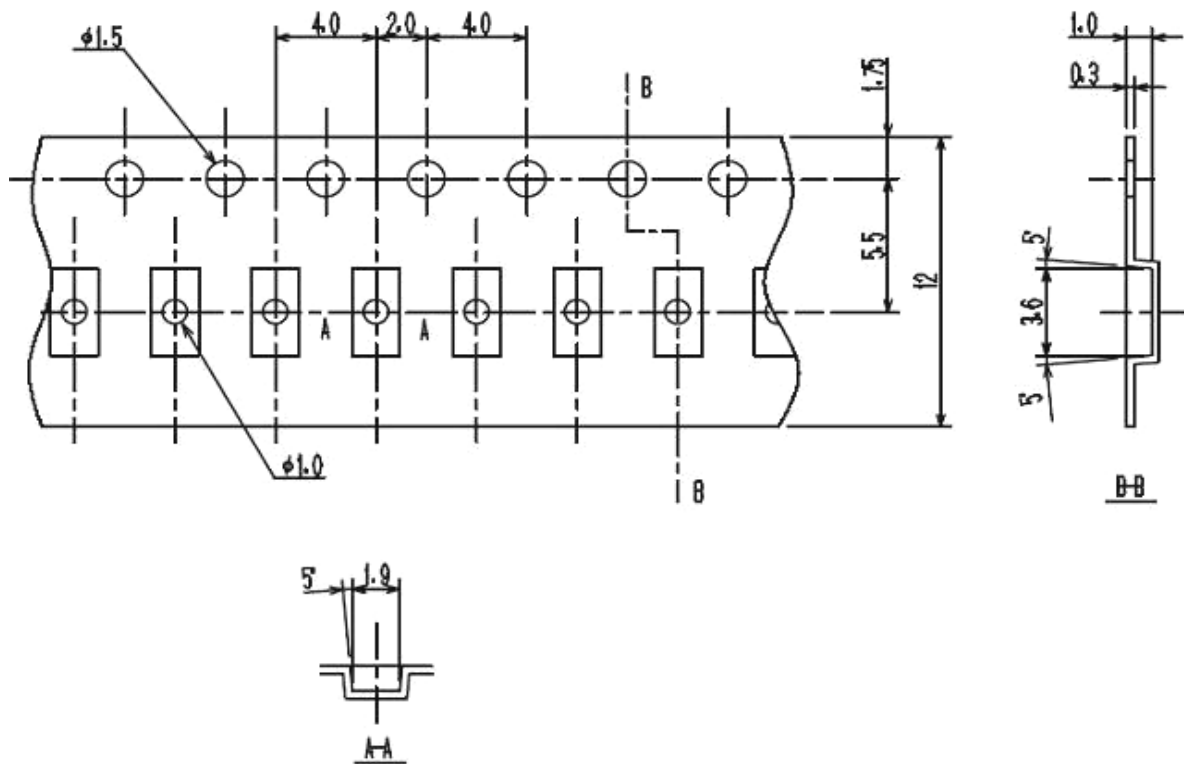
Fig.5





## Carrier tape

- (1) Conforms with EIA-481
- (2) Tolerance :  $\pm 0.2$

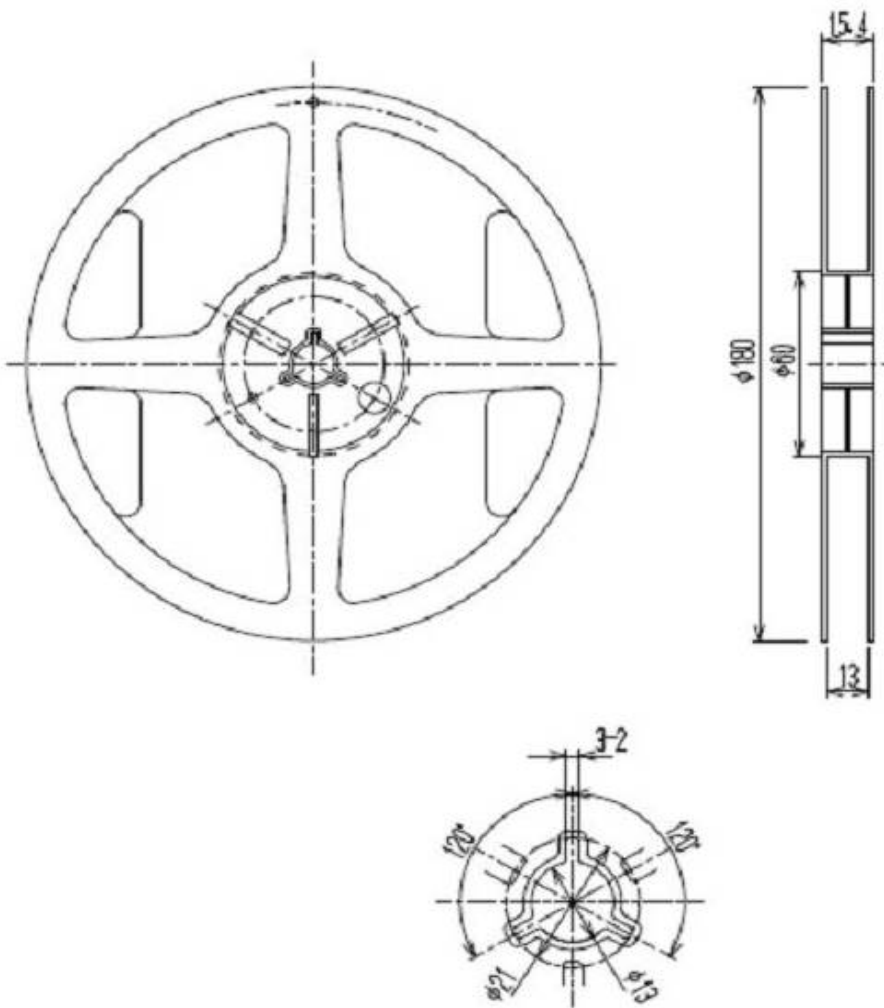


Unit=mm

## Taping reel

(1) Conforms with EIAJ ET-7200B

(2) Quantity per reel : 3,000pcs./for a reel



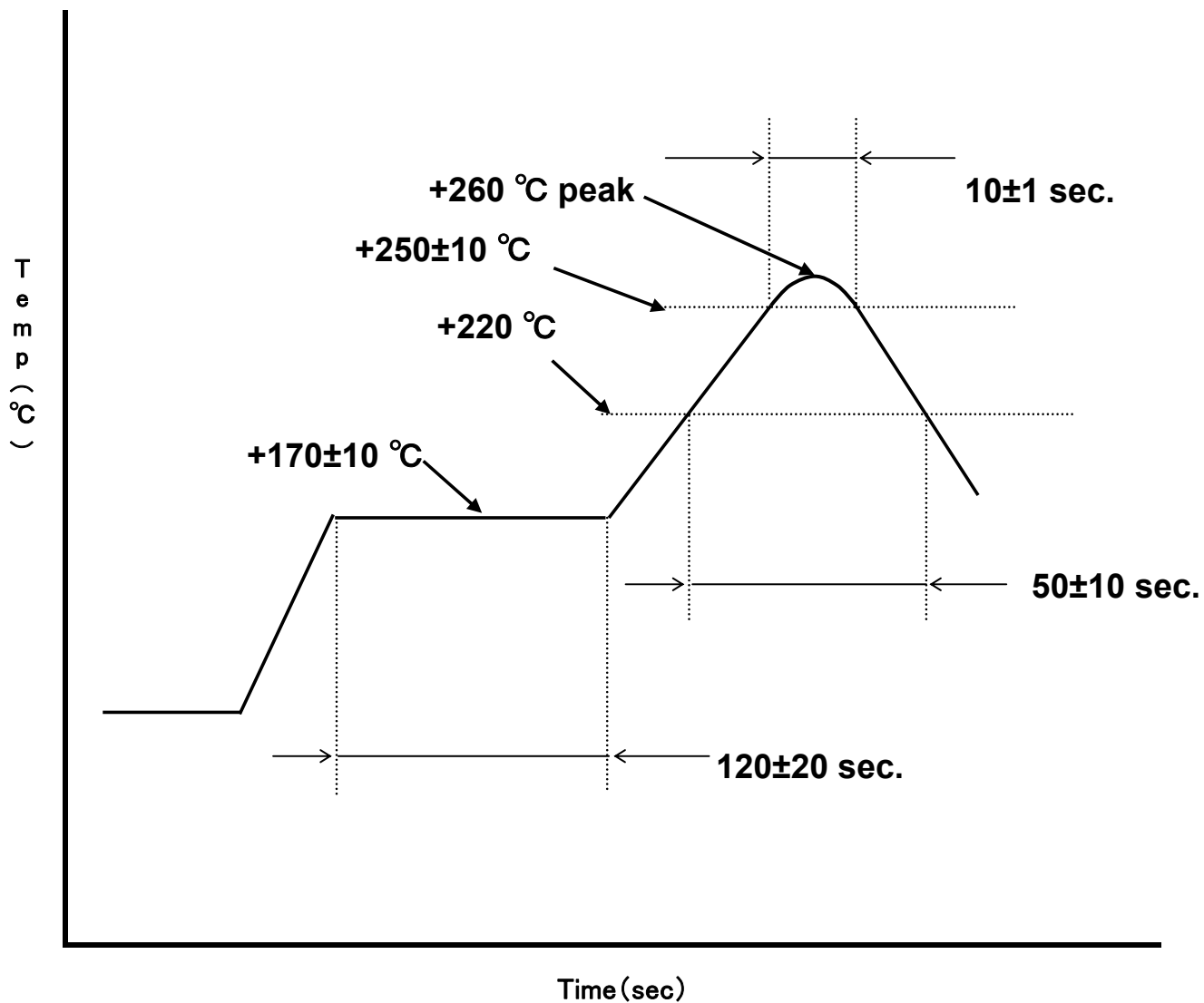
Tolerance:  $\pm 0.2$ mm

Item	Specification	Unit
Materials	PS(anti statics)	-
inside reel wise W1	$13.0+0.3/-0$	mm
outside reel wise W2	$15.4 \pm 1.0$	mm

Unit = mm

## [9] Reflow Profile

Pre-Heating temperature: +170°C      Pre-Heating time: 120sec  
 Heating temperature        : +220°C      Heating time        : 50sec

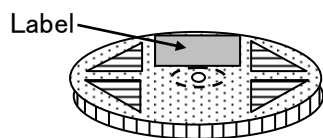


### Note:

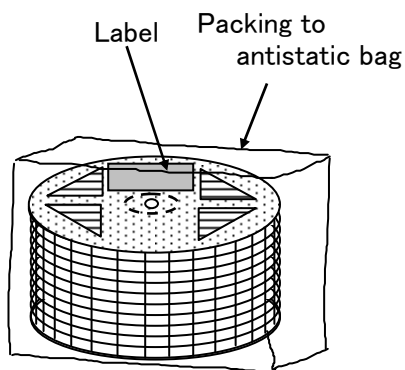
- (1) The temperature used herein means the temperature on the circuit board.
- (2) Reflow is permitted 2 times.

## [10] Outside box packing specification

- 1) The label is attached on each reel.
- 2) 10 reels are put into each antistatic polyethylene bag.



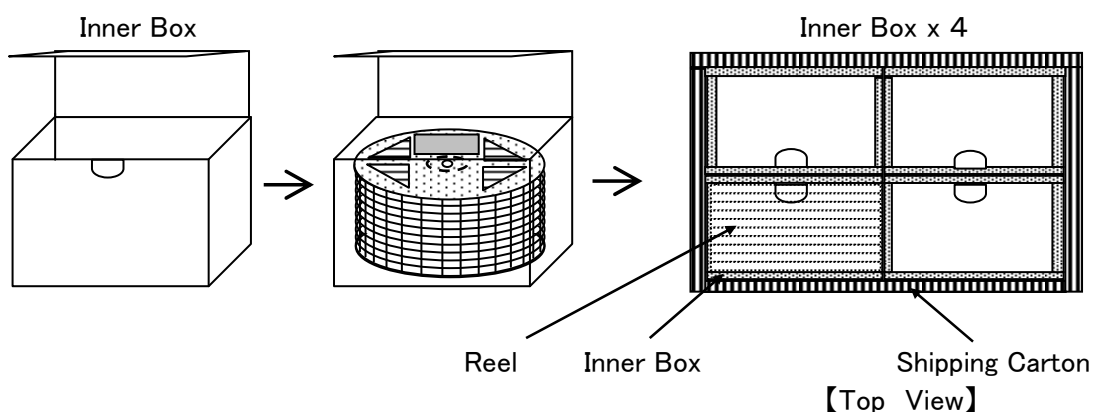
【Figure 1】



【Figure 2】

### 3) Packing

- 10 reels are put into each inner box.
- 4 inner boxes are put into each shipping carton.



### 4) Storage quantity

It makes N = 3,000 pcs/Lot

### 5) Sample of the label display (Please refer to【 Figure 1 】【 Figure 2 】)

Product bar code	Part	SC-32S	: Our company product name
	Lot No.	000001	: Lot No.
	Quantity	3, 000 pcs	: Quantity
Item bar code *	Spec.	32.768kHz 12.5pF/±20×10 <sup>-6</sup>	: Frequency, CL value, F0 deviation
	Quantity Lot.No.bar code	Remarks	:Remarks
	3,000 XXXX	RoHS Compliant Pb Free	

### 6) Storage environment

Please keep the product under the following condition

- \* No direct rays
- \* Temperature condition : 5~30°C
- \* Humidity condition : below 80%