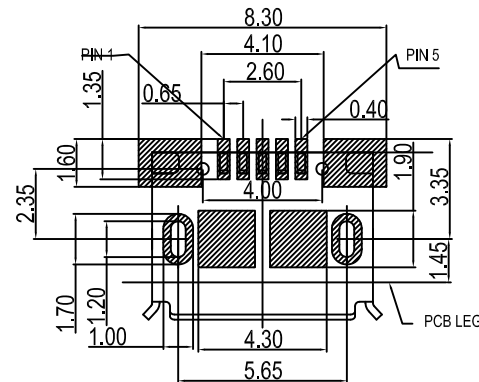
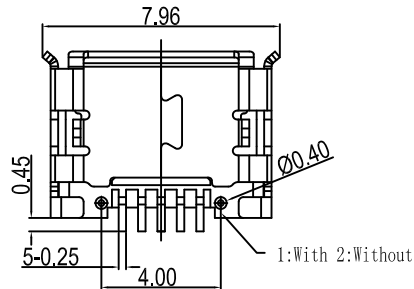
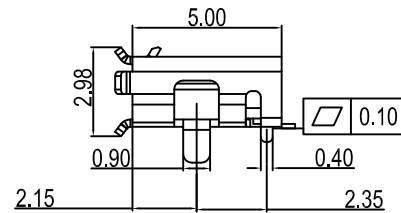
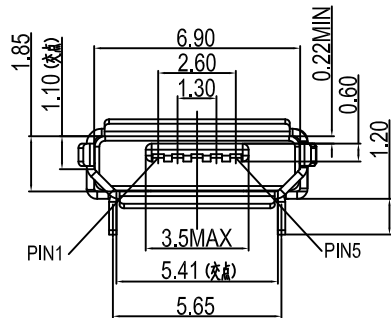



Scrolls (S)



RECOMMENDED P.C.B. LAYOUT  
TOP VIEW (TOLRANCE: ±0.05)

Material  
 Housing Material: LCP, UL94V-0, black  
 Contact Terminal: Copper Alloy  
 Metallic Shell: Sus  
 Electrical  
 Voltage Rating: 30 V AC  
 Current Rating: Signal (Pins 2,3,4): 1.0A, Power (Pins 1,5): 1.8A  
 Contact Resistance: 30mΩ Max  
 Insulation resistance: 1000MΩ Min  
 Dielectric withstanding voltage: 250V AC/Minute  
 Mechanical  
 Durability: 10,000 cycles  
 Mating Force: 35N (3.57Kgf) Max  
 Unmating Force: 8N (0.82Kgf) Min.

—		new		2015/5/3	A	
ECN BO.		DESCRIPTION.		DATE.	REV.	
DESIGNED	CHECKED	APPROVAL	DRAWING NUMBER	SCALT: 1/2		SCALE: 3:1
Mikey	Tom	Jerry	PART NAME	HYM-05050150-001	UNLESS OTHERWISE SPECIFIED, TOLERANCE:	X.            ±0.25
			MODEL NAME	HYM-05050150-001		X.x          ±0.20
			3RD ANGLE PROJ	HANYONES TECH CO.,LTD		X.xx        ±0.15
						ANGULAR    ±3'
						FILE. NO.