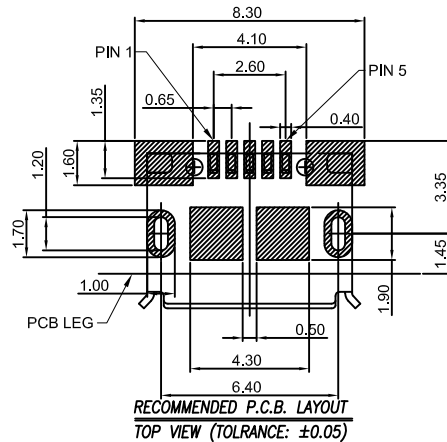
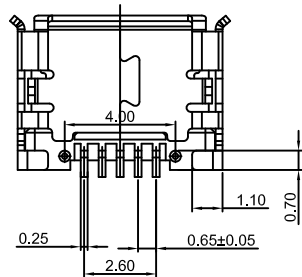
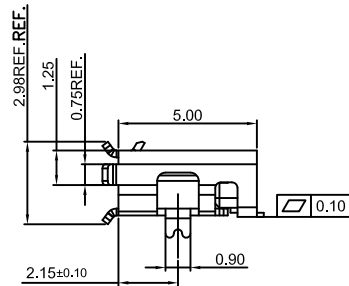
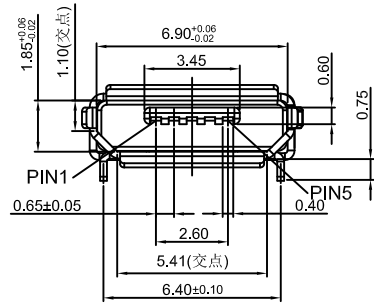
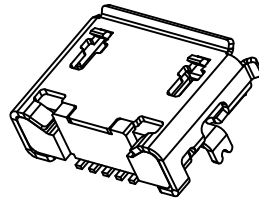


Scrolls (S)



**Material**

Housing Material: LCP, UL94V-0, black

Contact Terminal: Copper Alloy

Metallic Shell: Sus

**Electrical**

Voltage Rating: 30 V AC

Current Rating: Signal (Pins 2,3,4): 1.0A, Power (Pins 1,5): 1.8A

Contact Resistance: 30mΩ Max

Insulation resistance: 1000MΩ Min

Dielectric withstanding voltage: 250V AC/Minute

**Mechanical**

Durability: 10,000 cycles

Mating Force: 35N (3.57Kgf) Max

Unmating Force: 8N (0.82Kgf) Min.

—		new		2015/5/3	A		
ECN BO.		DESCRIPTION.		DATE.	REV.		
DESIGNED	CHECKED	APPROVAL	DRAWING NUMBER	SCALT: 1/2		SCALE: 3:1	
Mikey	Tom	Jerry	PART NAME	HYM-05050150-003	UNLESS OTHERWISE SPECIFIED, TOLERANCE:	X	±0.25
			MODEL NAME	HYM-05050150-003		X.x	±0.20
			3RD ANGLE PROJ	HANYONES TECH CO.,LTD		X.xx	±0.15
						ANGULAR	±3'
						FILE. NO.	