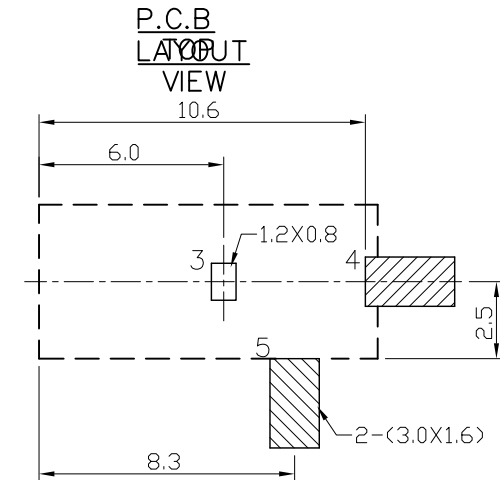
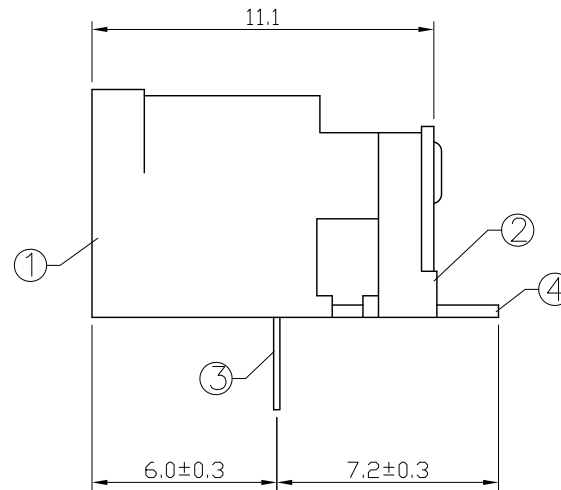
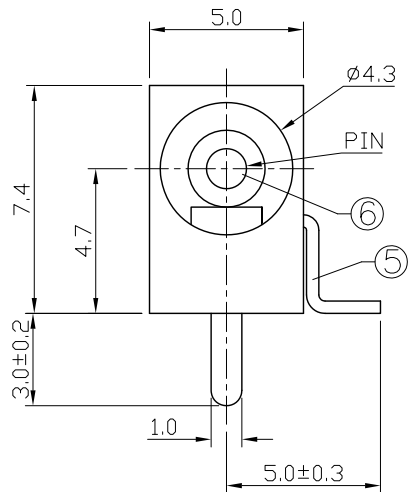
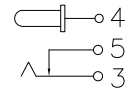


RoHS Compliant

REV.	ECN. NO.	DESCRIPTION	APPD.
		NEW RELEASE	

SCHEMATIC



PIN	∅1.0	∅1.3
APPD.		

6		盖板	1PCS	酚醛纸板T=1.6	黄色
5		基座	1PCS	PBT	黑色
4		插针	1PCS	H62黄铜 φ=2.5	电镀: 镍
3		静触片	1PCS	H62黄铜 t=0.30	电镀: 锡
2		动触片	1PCS	C5210 t=0.30	电镀: 锡
1		插针脚	1PCS	H62黄铜 t=0.30	电镀: 锡
序号	零件图号或代号	名称	数量	材料	备注
NO.	DESCRIPTION	QTY	MATERIAL		Remark

—		new		2015/5/3	A	
ECN BO.		DESCRIPTION.		DATE.	REV.	
DESIGNED	CHECKED	APPROVAL	DRAWING NUMBER	SCALT: 1/2		SCALE: 3:1
Mikey	Tom	Jerry	PART NAME	DC-002C-13	UNLESS OTHERWISE SPECIFIED, TOLERANCE:	X. ±0.25
			MODEL NAME	DC-002C-13		X.x ±0.20
			3RD ANGLE PROJ	HANYONES TECH CO.,LTD		X.xx ±0.15
					ANGULAR	±3'
						FILE. NO.