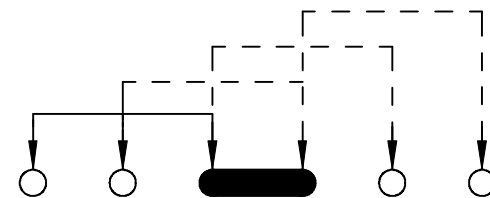
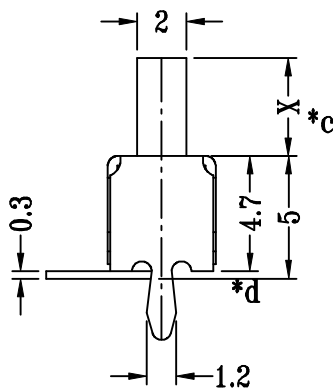
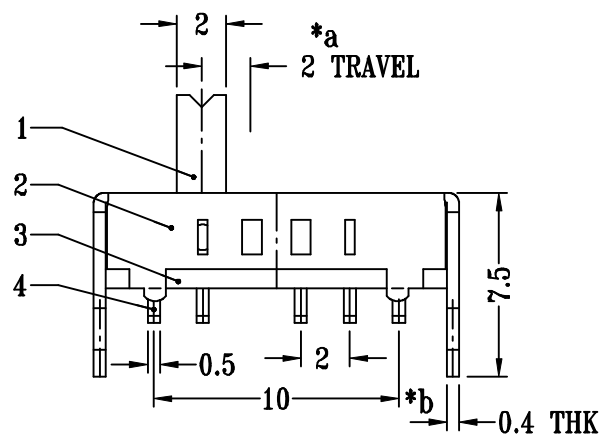
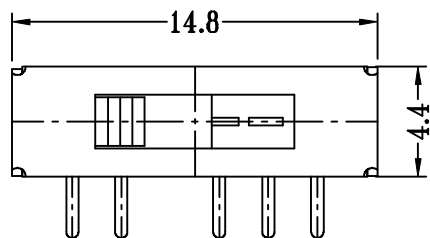
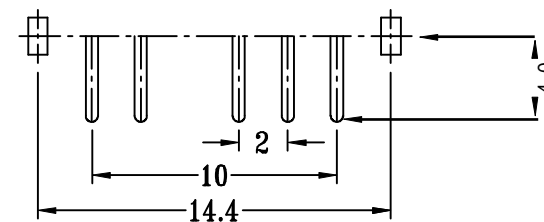


CAD FILE:



SCHEMATIC (SHORTING)



P.C.B LAYOUT  
BOTTOM VIEW

注：“\*”表示关键尺寸(4个).

		new		2015/5/3	A		
ECN BO.		DESCRIPTION.		DATE.	REV.		
DESIGNED	CHECKED	APPROVAL	DRAWING NUMBER	SCALT: 1/2		SCALE: 3:1	
Mikey	Tom	Jerry	PART NAME	SS-14D01WVG2	UNLESS OTHERWISE SPECIFIED, TOLERANCE:		X.           ±0.25
			MODEL NAME	SS-14D01WVG2			X.x          ±0.20
			3RD ANGLE PROJ	HANYONES TECH CO.,LTD			X.xx         ±0.15
				ANGULAR			±3'
				FILE NO.			