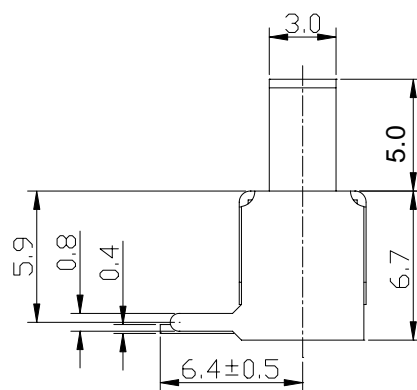
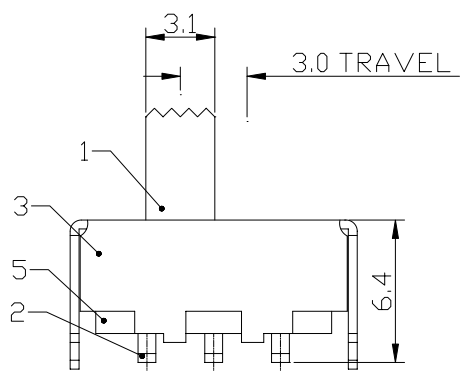
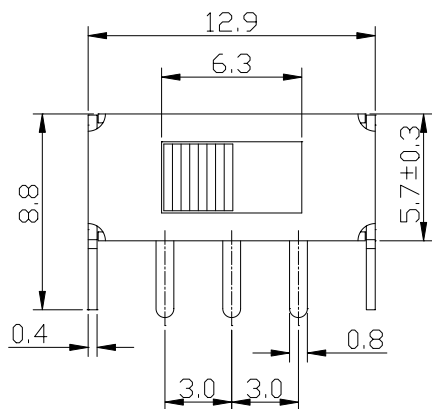


SCHEMATIC



VAA: L=7-16
OTHER: L=2-15

OPTIONAL KNOB TYPE

GBG	
GBO	
VAA	
TBH	
VGA	
NYB	

—		new		2015/5/3	A	
ECN BO.		DESCRIPTION.		DATE.	REV.	
DESIGNED	CHECKED	APPROVAL	DRAWING NUMBER	SCALT: 1/2		SCALE: 3:1
Mikey	Tom	Jerry	PART NAME	SS-12F23G5	UNLESS OTHERWISE SPECIFIED, TOLERANCE:	X. ±0.25
			MODEL NAME	SS-12F23G5		X.x ±0.20
			3RD ANGLE PROJ	HANYONES TECH CO.,LTD		X.xx ±0.15
						ANGULAR ±3'
						FILE. NO.