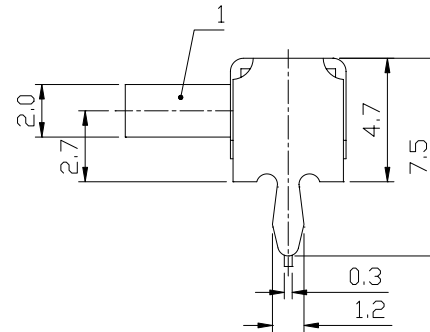
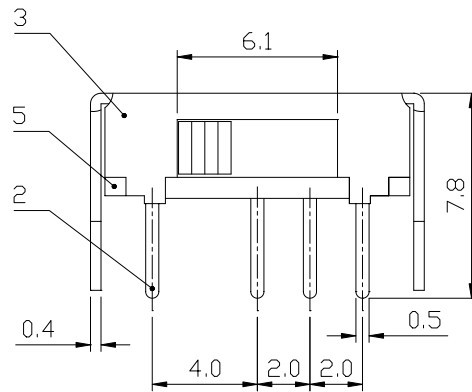
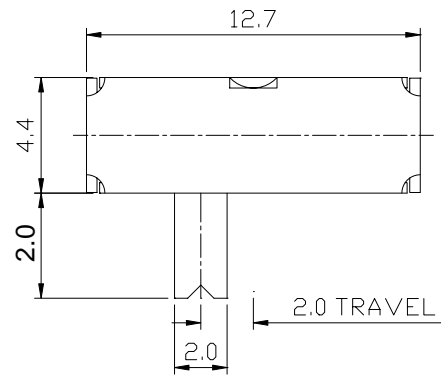


SCHMATIC



Model No.	X (mm)
SK-13D01L5	5.0

—		new		2015/5/3	A	
ECN BO.		DESCRIPTION.		DATE.	REV.	
DESIGNED	CHECKED	APPROVAL	DRAWING NUMBER	SCALT: 1/2		SCALE: 3:1
Mikey	Tom	Jerry	PART NAME	SS-13D07VG2	UNLESS OTHERWISE SPECIFIED, TOLERANCE:	X. ±0.25
			MODEL NAME	SS-13D07VG2		X.x ±0.20
			3RD ANGLE PROJ	HANYONES TECH CO.,LTD		X.xx ±0.15
						ANGULAR ±3'
						FILE. NO.