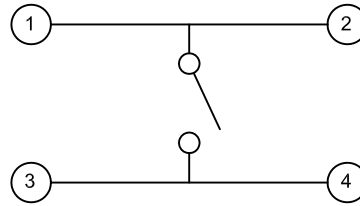
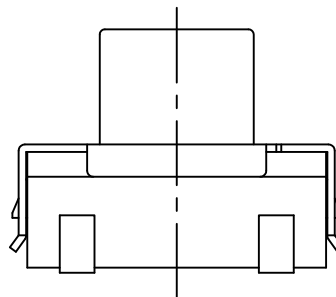
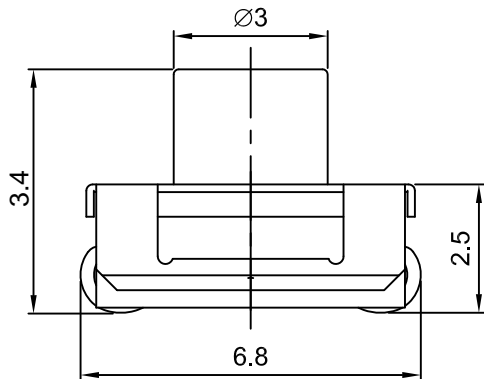
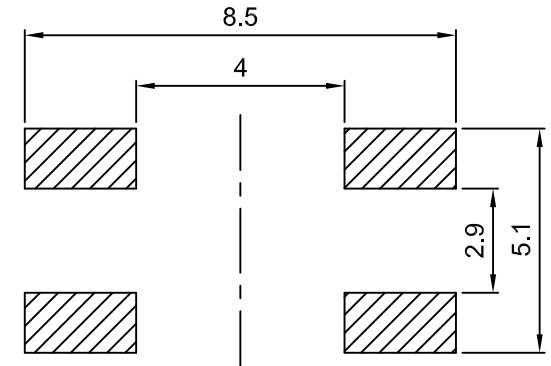


CIRCUIT DIAGRAM



SMD REFLOW PATTERN (N/S : ±0.1)



NOTES

1. RATING : 50mA / DC 12V
2. TRAVEL : 0.25mm ±0.1
3. CONTACT RESISTANCE : 100m Ohm MAX.
4. OPERATING FORCE : 220 ±80gf
5. OPERATING LIFE : 100000 CYCLES MIN.
6. NON SPECIFIED DIMENSIONS  
TOLERANCE : ± 0.3

—		new		2015/5/3	A	
ECN BO.		DESCRIPTION.		DATE.	REV.	
DESIGNED	CHECKED	APPROVAL	DRAWING NUMBER	SCALT: 1/2		SCALE: 3:1
Mikey	Tom	Jerry	PART NAME	TS-1158U40034	UNLESS OTHERWISE SPECIFIED, TOLERANCE:	X.            ±0.25
			MODEL NAME	TS-1158U40034		X.x          ±0.20
			3RD ANGLE PROJ	HANYONES TECH CO.,LTD		X.xx        ±0.15
					ANGULAR	±3'
						FILE. NO.