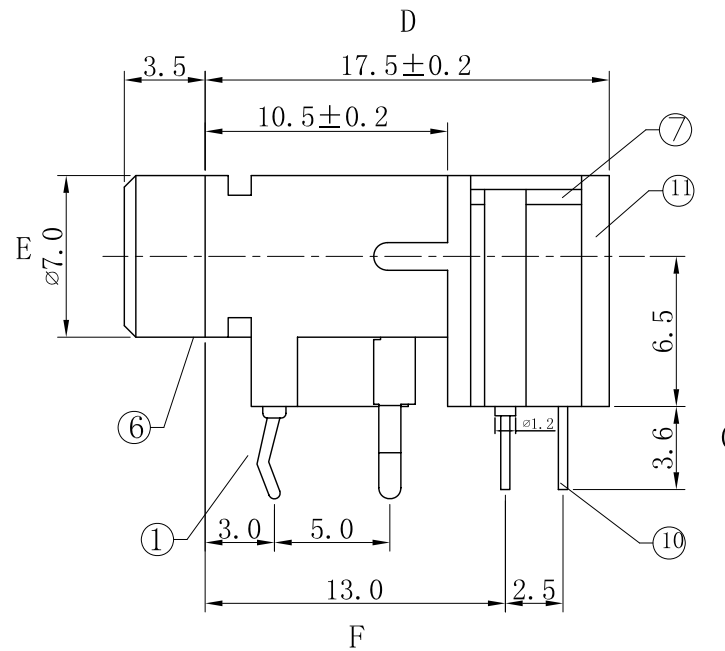
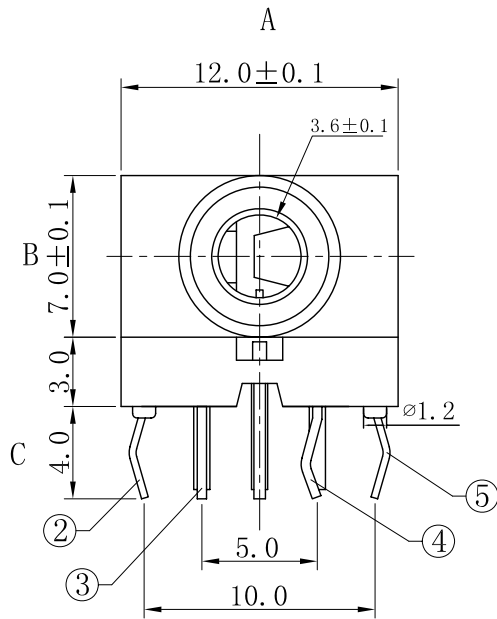
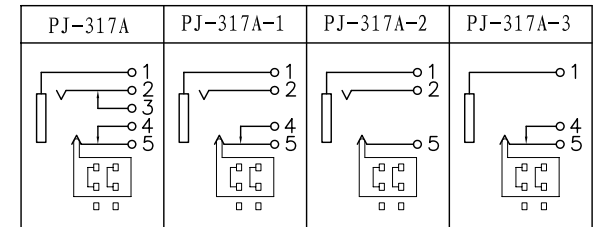
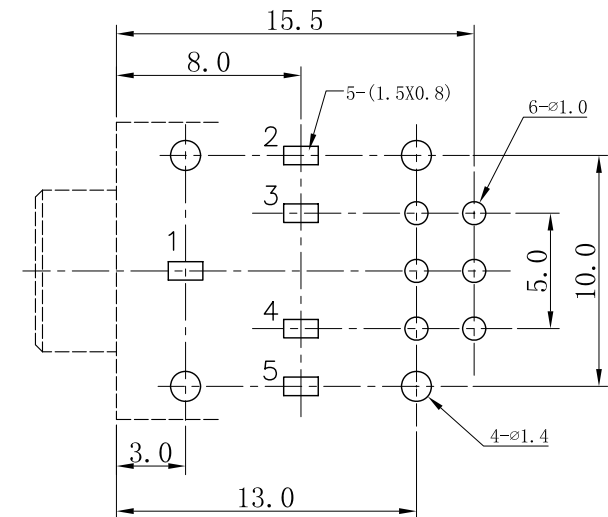


**SCHEMATIC**



**P. C. B LAYOUT  
TOP VIEW**



		new		2015/5/3	A			
ECN BO.		DESCRIPTION.		DATE.	REV.			
DESIGNED	CHECKED	APPROVAL	DRAWING NUMBER	SCALT: 1/2		SCALE: 3:1		
Mikey	Tom	Jerry	PART NAME	HY-PJ-317A-W	UNLESS OTHERWISE SPECIFIED, TOLERANCE:		X	±0.25
			MODEL NAME	HY-PJ-317A-W			X.x	±0.20
			3RD ANGLE PROJ	HANYONES TECH CO.,LTD			X.xxx	±0.15
							ANGULAR	±3'
							FILE. NO.	