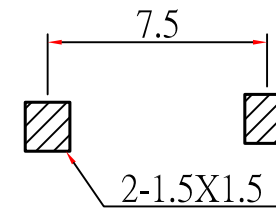
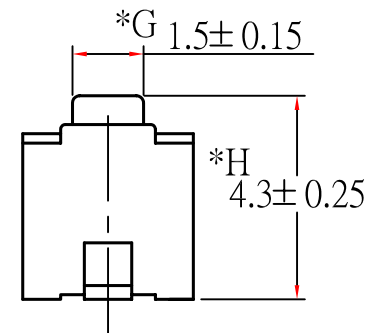
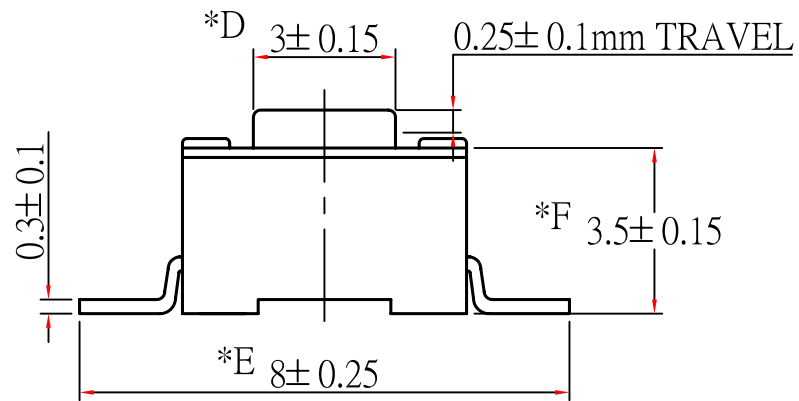


SCHEMATIC



P.C.B.LAYOUT

* CRITICAL DIMENSION

—		new		2015/5/3	A		
ECN BO.		DESCRIPTION.		DATE.	REV.		
DESIGNED	CHECKED	APPROVAL	DRAWING NUMBER	SCALT: 1/2		SCALE: 3:1	
Mikey	Tom	Jerry	PART NAME	TS-1101S26070	UNLESS OTHERWISE SPECIFIED, TOLERANCE:		X. ±0.25
			MODEL NAME	TS-1101S26070			X.x ±0.20
			3RD ANGLE PROJ	HANYONES TECH CO.,LTD			X.xx ±0.15
				FILE NO.		ANGULAR	±3'