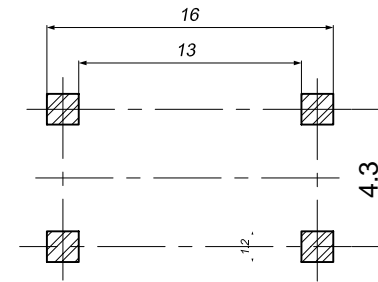
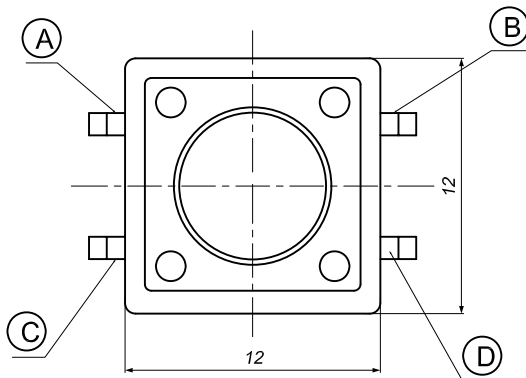
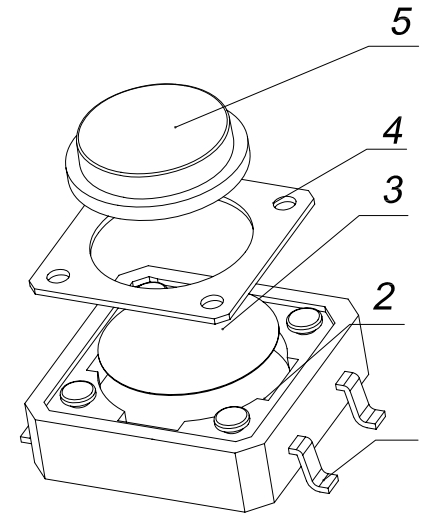
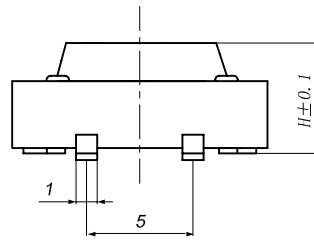
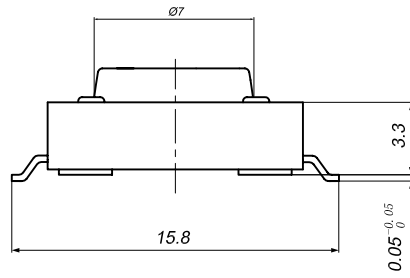


NOTE:TSTP12H

| TYPE        | STEM<br>HEIGHI |
|-------------|----------------|
| TS-1103SH43 | 4.3            |
| TS-1103SH50 | 5.0            |
| .....       | .....          |



印制线路板  
Recommended P.C.B layout



| ECN BO.  |         | DESCRIPTION. |                             | DATE.                                 | REV. | SCALE: 3:1 |       |
|----------|---------|--------------|-----------------------------|---------------------------------------|------|------------|-------|
| DESIGNED | CHECKED | APPROVAL     | DRAWING NUMBER              | 2015/5/3                              | A    | SCALE: 1/2 |       |
| Mikey    | Tom     | Jerry        | PART NAME<br>TS-1103S16043  | UNLESS OTHERWISE SPECIFIED,TOLERANCE: |      | X.         | ±0.25 |
|          |         |              | MODEL NAME<br>TS-1103S16043 |                                       |      | X.x        | ±0.20 |
|          |         |              | 3RD ANGLE PROJ              | HANYONES TECH CO.,LTD                 |      | X.xx       | ±0.15 |
|          |         |              |                             |                                       |      | ANGULAR    | ±3'   |
|          |         |              |                             | FILE NO.                              |      |            |       |

