

## DESCRIPTION

The CB2402 is a fully integrated, single-chip, single die RF Front-end Integrated Circuit. which incorporates all the RF functionality needed for today's wireless communications.

The CB2402 architecture integrates the PA, LNA, Transmit and Receive switching circuitry, the associated matching network, and the harmonic filter all in a CMOS single-chip device. The CB2402 is designed for use in 802.11b/g/n applications operating at 2.4GHz. Combining superior performance, high sensitivity and efficiency, low noise, small form factor, and low cost, the CB2402 is the ideal solution for single antenna applications, and the ideal building block for MIMO applications.

CB2402 has simple and low-voltage CMOS control logic, and requires minimal external components for system implementation. The PA power detector circuit is also integrated.

## BLOCK DIAGRAM

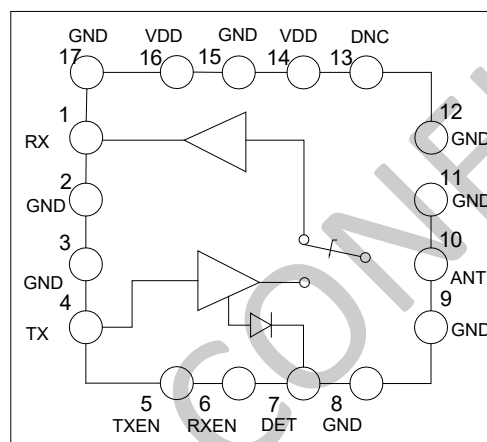


Figure 1. CB2402 Block Diagram

## FEATURES

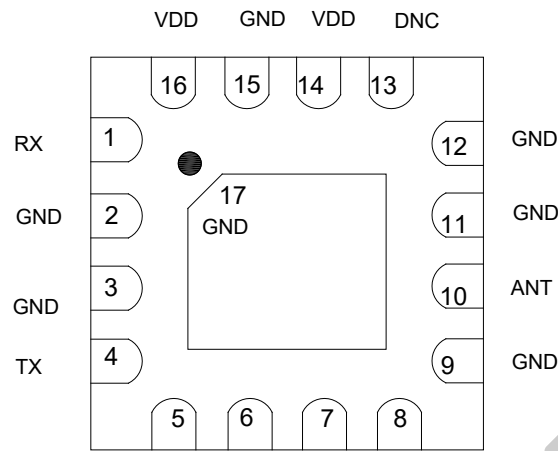
- 2.4GHz ISM, Single Chip, Single-Die RF Front-End IC
- Separate TX and RX Transceiver Port and Single Antenna Port
- 2.4GHz Power Amplifier with Low-Pass Harmonic Filter
- Low Noise Amplifier
- Transmit / Receive Switch Circuitry
- High Transmit Signal Linearity Meeting Standards for OFDM and CCK Modulation
- Integrated Power Detector for Transmit Power Monitor and Control
- Compatible with Low Voltage (1.2V) CMOS Control Logic or levels up to VDD
- ESD Protection Circuitry on All Ports
- DC Decoupled RF Ports
- Internal RF Decoupling on All VDD Bias Pins
- Low Noise Figure for Receive Channels
- High Power Capability for Received Signals
- Very Low DC Power Consumption
- Full On-chip Matching and Decoupling Circuitry
- Minimal External Components Required
- 50-Ohm Input / Output Matching
- Market Proven CMOS Technology
- 3 x 3 x 0.55mm Small Outline QFN-16 Package with Exposed Ground Pad

## APPLICATIONS

- 802.11b/g/n Embedded Applications
- 802.11b/g/n NIC PC Card
- 802.11b/g/n Multimedia Applications
- 802.11b/g/n Mobile Platforms
- Other 2.4GHz Transceivers
- 802.11b/g/n Access Point

## 2.4GHZ WLAN TRANSMIT/RECEIVE FEM

### PIN-OUT DIAGRAM



TXEN RXEN DET GND  
Figure 2. CB2402 Pin out (Top View)

### PIN ASSIGNMENTS

Pin	Name	Description
1	RX	Received RF Signal from the LNA to the Transceiver; DC Shorted to GND
2, 3, 8, 9, 11, 12, 15, 17	GND	Ground – Must be connected to Ground in the Application Circuit
4	TX	Transmitted RF signal from the Transceiver to the PA; DC Shorted to GND
5	TXEN	CMOS Input to Enable the PA
6	RXEN	CMOS Input to Enable the LNA
7	DET	Analog Voltage Proportional to the PA Power Output
10	ANT	Antenna port RF Signal from the PA or RF Signal Applied to the LNA; DC Shorted to GND
13	DNC	Reserved – Do Not Connect in the Application Circuit
14, 16	VDD	Voltage Supply Connection

## CB2402 ABSOLUTE MAXIMUM RATINGS

Parameters	Conditions	Minimum	Maximum	Units
DC VDD Voltage Supply	All VDD Pins	0	4.5	V
DC Control Pin Voltage	Through 1Kohm resistor	0	3.6	V
DC VDD Current Consumption	Through VDD Pins when TX is "ON"		350	mA
DC Control Pin Current Consumption			1	uA
TX RF Input Power	All Operating Modes		+10	dBm
ANT RF Input Power	When RX is "ON"		+5	dBm
Storage Ambient Temperature	No RF and DC Voltages Applied Appropriate care required according to JEDEC Standards	-50	+150	°C
ESD Voltage (HBM)	Human Body Model	1000		V

### NOTE:

Sustained operation at or above the Absolute Maximum Ratings for any single or combinations of the above parameters may result in permanent damage to the device and is not recommended. All Maximum RF Input Power Ratings assume 50-Ohm terminal impedance.

## RECOMMENDED OPERATING CONDITIONS

Parameters	Conditions	Minimum	Typical	Maximum	Units
Operating Frequency		2.4		2.5	GHz
DC VDD Voltage Supply	All VDD Pins	2.7	3.3	3.6	V
Control Voltage "High"		1.2	2.0	VDD	V
Control Voltage "Low"			0	0.3	V
Control Pin Current Consumption			1		μA
DC Shutdown Current				5	μA
PA Turn On/Off Time			0.8		μsec
Input/Output Single-Ended Impedance			50		Ω
Operating Ambient Temperature	All Operating Modes	-40		+85	°C

## CB2402 ELECTRICAL SPECIFICATIONS<sup>1</sup>

Parameters	Test Condition	Min	Typ.	Max	Units
<b>Transmit Mode: (VDD=3.3V; T=+25°C)</b>					
Operating Frequency Band	All RF Pins Terminated by 50 Ohms	2.4		2.525	GHz
Output P1dB	CW		+22		dBm
Linear Output Power 802.11b	1Mbps CCK, Mask Compliance	+20	+21		dBm
Linear Output Power 802.11n	54Mbps OFDM, EVM< -33dB at ANT		16		dBm
Linear Output Power 802.11g	54Mbps OFDM, EVM<-30 dB at ANT	16	17		dBm
Large-Signal Power Gain in All Modes	POUT = +18dBm		26		dB
Small-Signal Power Gain in All Modes	POUT = 0dBm		26.5		dB
TX Quiescent Current	No RF Input Signal		95		mA
TX Linear Current	POUT = +17.5dBm		160		mA
Power Detector Voltage Output	POUT = +5 to +20dBm	250		2500	mV
Second Harmonic	POUT = +20dBm, CW at ANT Pin		-35		dBc
Third Harmonic	POUT = +20dBm, CW at ANT Pin		-35		dBc
Input Return Loss			-10		dB
Output Return Loss			-10		dB
Input / Output Impedance Single-Ended			50		Ohm
TX Leakage to RX Port	POUT = +20dBm at ANT		-7		dBm
Load VSWR for Stability (CW, Fix Pin for POUT = +20dBm with 50Ω Load)	All non-harmonically related spurs less than -43 dBm/Hz	4:1	6:1		N/A
Load VSWR for Ruggedness (CW, Fix Pin for POUT = +20dBm with 50Ω Load)	No damage	8:1	10:1		N/A

Parameters	Test Condition	Min	Typ.	Max	Units
<b>Receive Mode: (VDD=3.3V; T=+25°C)</b>					
Operating Frequency Band	All RF Pins Terminated by 50 Ohms	2.4		2.525	GHz
Gain			10		dB
Noise Figure			3.5		dB
Input Return Loss			-10		dB
Output Return Loss			-10		dB
RF Port Impedance			50		Ohm
RX Quiescent Current	No RF Applied		10mA		mA
Input P1dB	No RF Applied		2		dBm

Parameters	Test Condition	Min	Typ.	Max	Units
<b>Standby Mode:</b>					
DC Shutdown Current				5	uA
TX-ANT Insertion Loss (S21)	Pin < -20dBm		-50		dB
TX Port Return Loss (S11)	From TX Port		-5		dB
ANT-RX Insertion Loss (S21)	Pin < -20dBm		-27		dB
RX Port Return Loss (S22)	From RX Port		-1.5		dB
Transmit-Receive Switching Time			800		ns
Shut-Down and "ON" State Switching Time			800		ns

## LOGIC TRUTH TABLE

Mode	LEN	PEN
TX Active	1	X
RX Active	0	1
Chip is Shut-down	0	0

## NOTE:

1. "1" denotes high voltage state (> 1.2V)
2. "0" denotes low voltage stage (<0.3V) at Control Pins
3. "X" denotes do not care: either "1" or "0" can be applied

EVALUATION BOARD SCHEMATIC

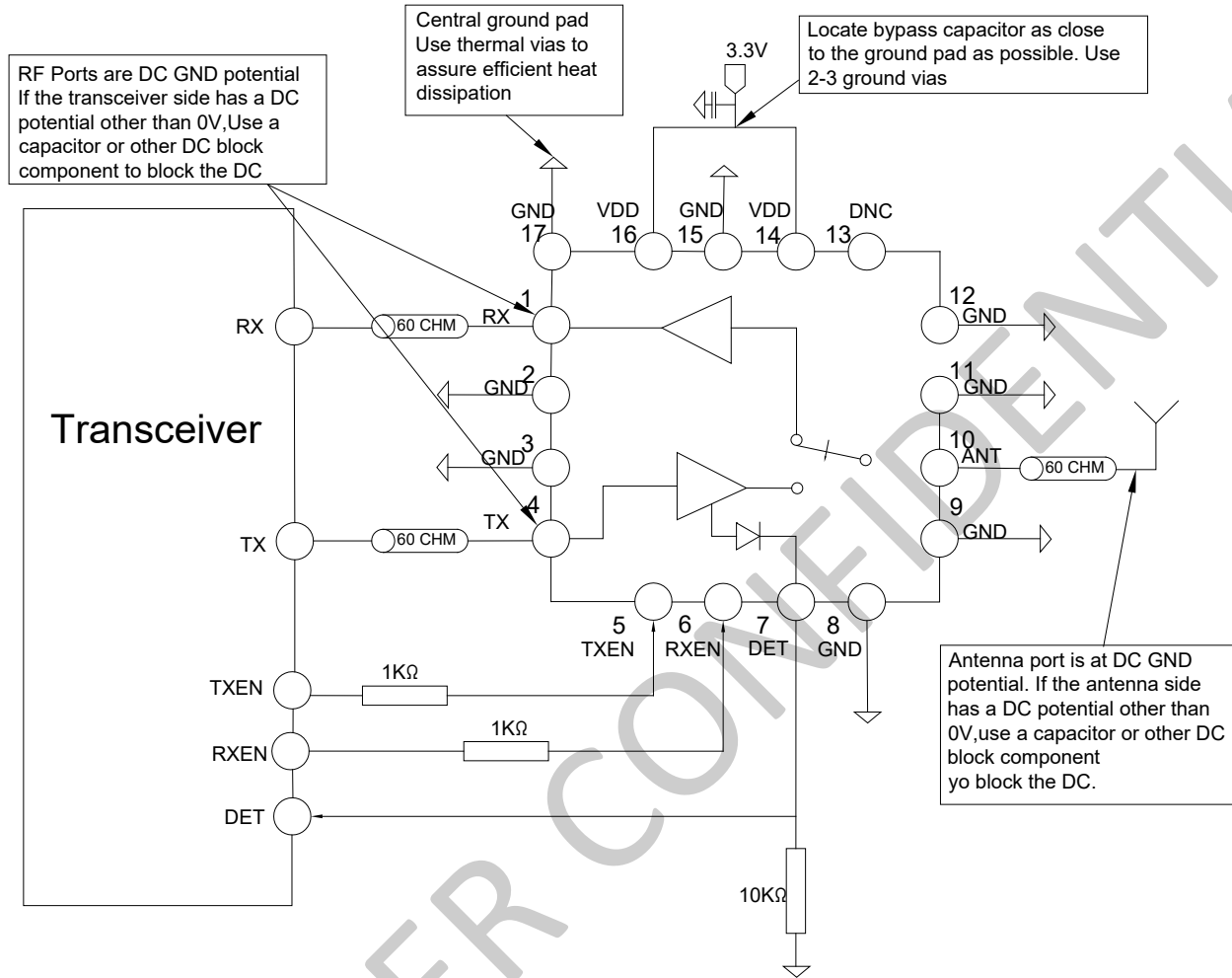


Figure 3. CB2402 Evaluation Board Schematic

EVALUATION BOARD ASSEMBLY DRAWING

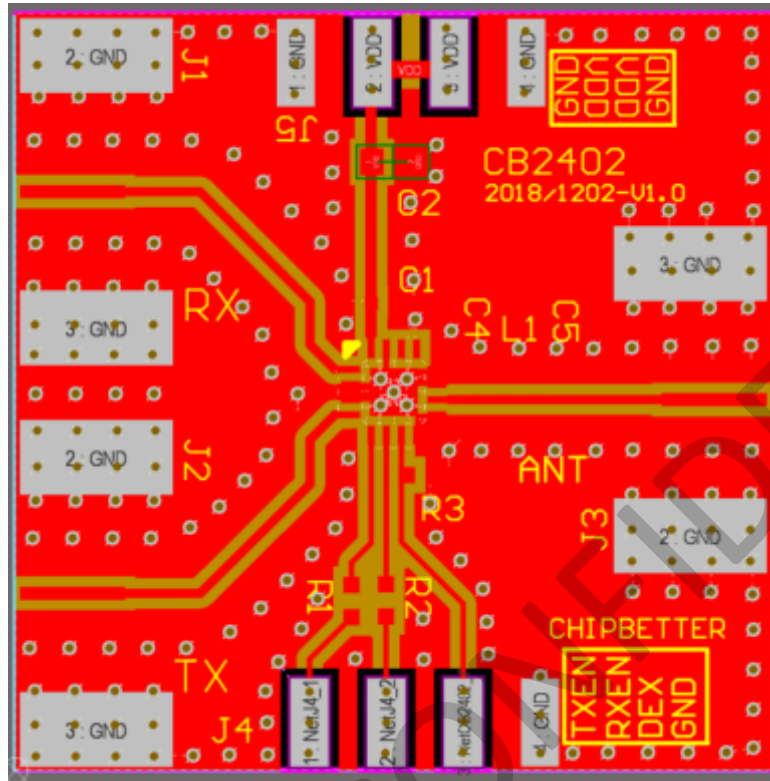
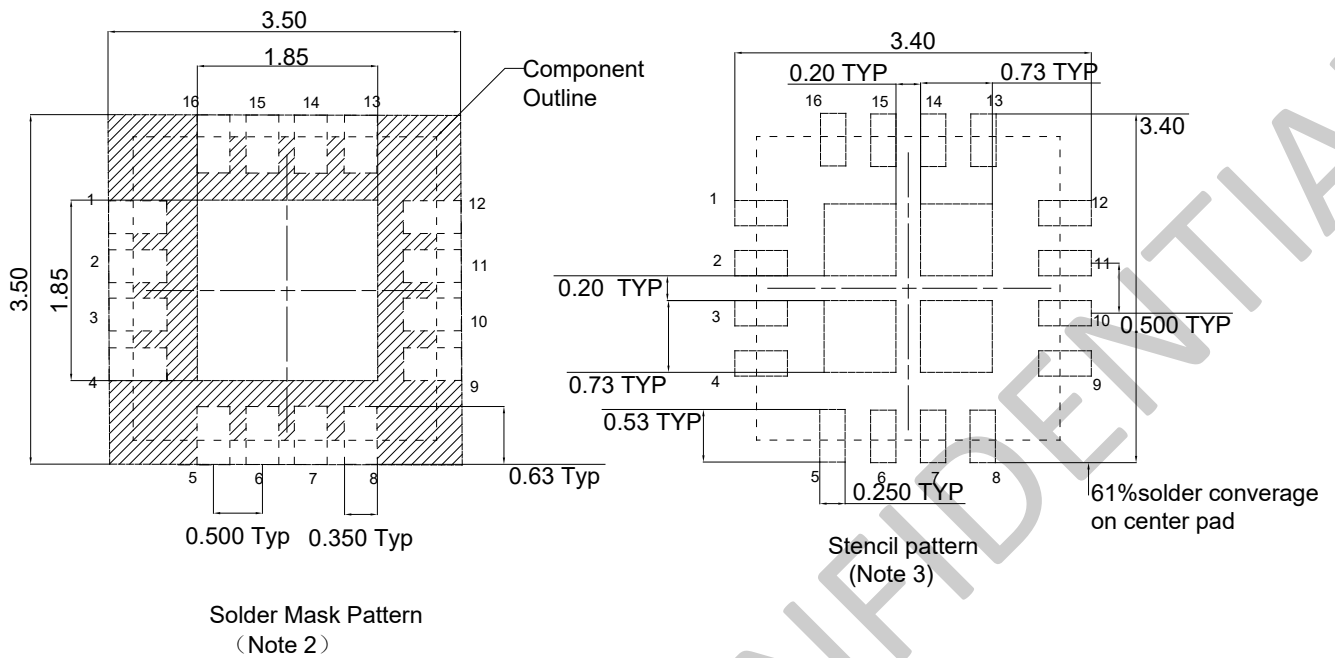


Figure 4. CB2402 Evaluation Board Assembly Drawing

PCB LAND PATTERN



NOTES:

1. Via hole recommendations: 0.025mm Cu via wall plating (minimum). solder mask on the far side should tent or plug via holes.
2. Soldermask recommendations: contact board fabricator for recommended soldermask offset and tolerance.
3. Stencil recommendations: 0.125 mm stencil thickness laser cut apertures, trapezoidal walls and rounded corners offer better paste release.

Figure 5. CB2402 PCB Layout Footprint



## TYPICAL PART MARKING

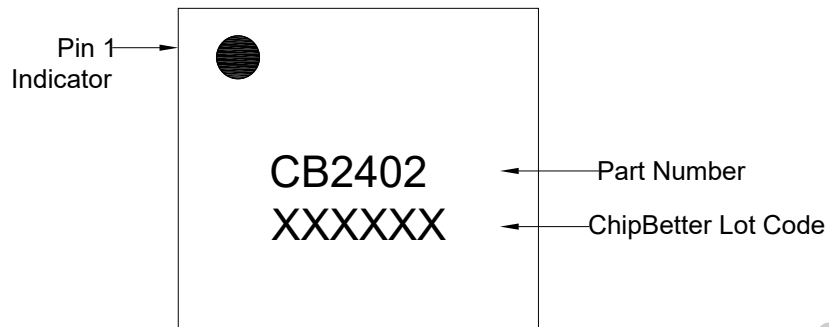


Figure 6. Typical Part Marking for the CB2402

## PACKAGE DIMENSIONS (All Dimensions in mm):

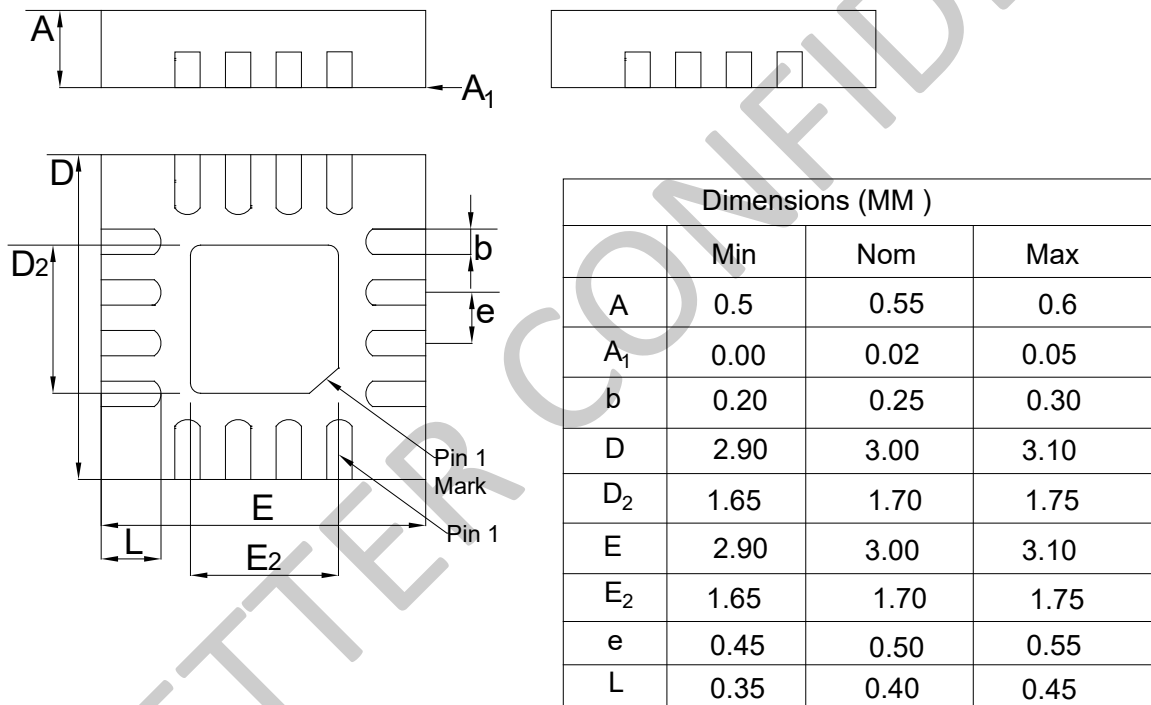
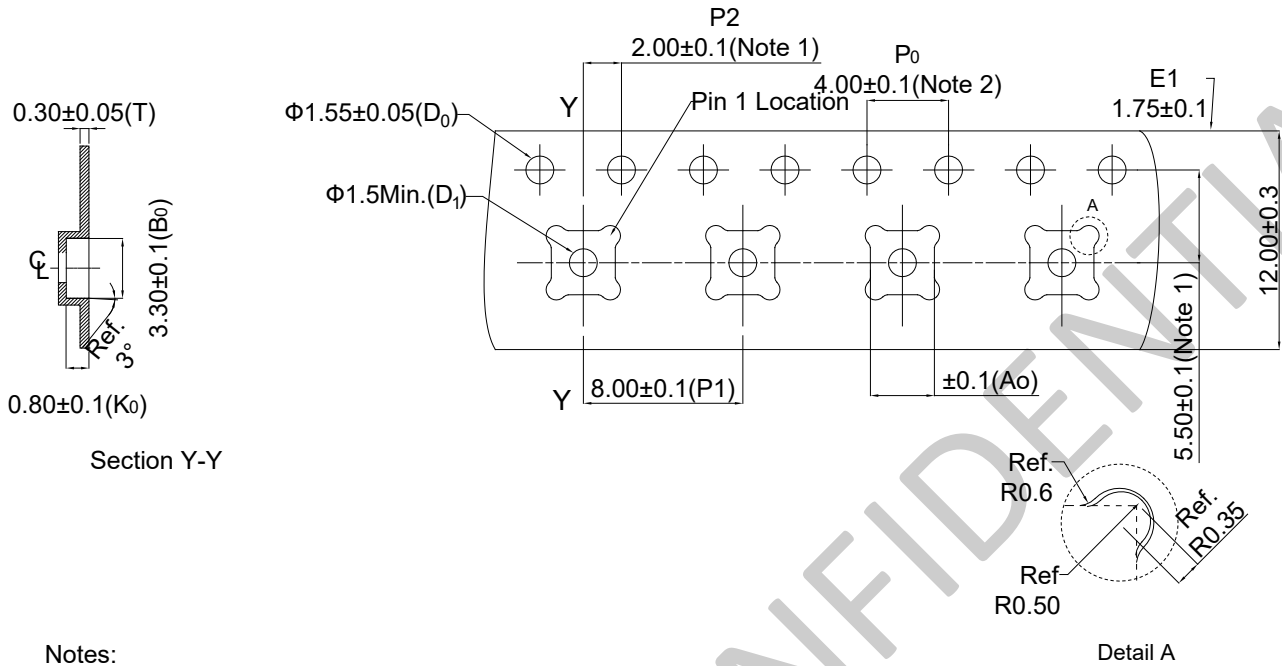


Figure 7. CB2402 Package Dimension

TAPE AND REEL DIMENSIONS



Notes:

1. Measured from center line of sprocket hole to center line of pocket.
2. Cumulative tolerance of 10 sprocket holes is  $\pm 0.20\text{mm}$ .
3. Other material available.
4. Typical ESD surface resistivity is from  $10^5$  to  $10^{11}$  Ohms/square per EIA,JEDEC.

All measurements are in millimeters.

Figure 8. CB2402 Tape and Reel Dimensions

## CONTACT INFORMATION

For the latest specifications, additional product information, worldwide sales and distribution locations:

**Web:** [www.chipbetter.com](http://www.chipbetter.com)

**Tel:** 0755-26654180

## DISCLAIMERS

ChipBetter reserves the right to make changes without further notice to specifications and product descriptions in this document to improve reliability, function or design. ChipBetter does not assume any liability arising out of the application or use of information or product described in this document. Neither does ChipBetter convey any license under its intellectual property rights nor licenses to any of circuits described in this document to any third party.

The information in this document is believed to be accurate and reliable and is provided on an "as is" basis, without any express or implied warranty. Any information given in this document does not constitute any warranty of merchantability or fitness for a particular use. The operation of this product is subject to the user's implementation and design practices.

ChipBetter products are not designed or intended for use in life support equipment, devices or systems, or other critical applications, and are not authorized or warranted for such use.

Copyright of ChipBetter Microelectronics Co, Ltd. All rights reserved.