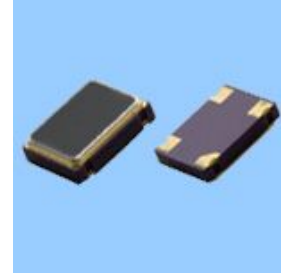


## OSC32254P-25.000MHZ

### Features

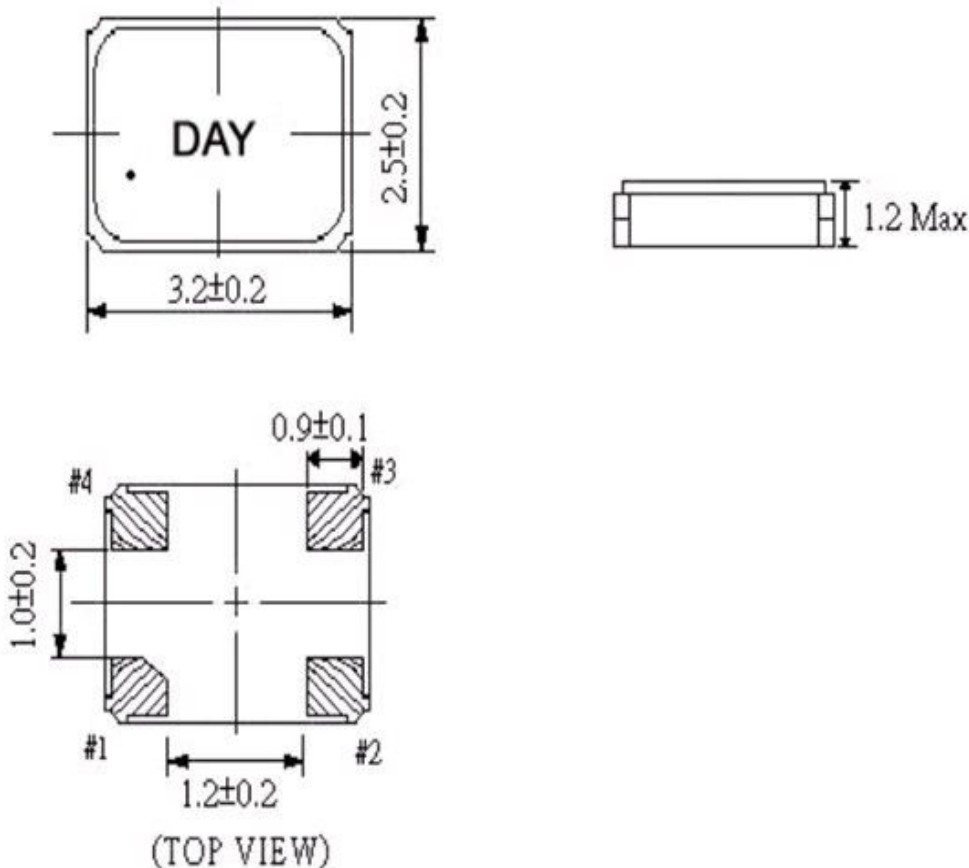
- Low power supply voltage (1.8V)
- LVPECL output level.
- Supports a WIDE FREQUENCY RANGE (32.768kHz to 100 MHz)
- Low phase jitter: Max, 1ps
- Compact with dimensions of 3.2\*2.5\*1.2mm.



### Specifications

| 项目Item  | 技术Specifications  |
|---|---|
| 频率范围Freq. Range   | 25.000MHZ   |
| 频率稳定性Frequency Stability                                    | $\pm 10\text{PPm}$ , $\pm 20\text{PPm}$ $\pm 30\text{PPm}$ , $\pm 50\text{PPm}$   |
| 工作温度Operaing Temp   | $-10^{\circ}\text{C}$ to $60^{\circ}\text{C}$ $-20^{\circ}\text{C}$ to $70^{\circ}\text{C}$ $-40^{\circ}\text{C}$ to $85^{\circ}\text{C}$ |
| 储存温度Storage Temp  | $-40^{\circ}\text{C}$ to $85^{\circ}\text{C}$ $-55^{\circ}\text{C}$ to $125^{\circ}\text{C}$  |
| 输入电压Input   | +5Vdc $\pm 10\%$ or +3.3Vdc $\pm 5\%$ +1.8Vdc $\pm 3\%$   |
| 占空比 Symmetry  | 40/60 Standard  |
| 输出Output Load   | 10 TTL or 15PF HCMOS  |
| 消耗电流  | Current Consumption 15pf only)<br>(5.0V)  |
|   | 1.000MHZ - 36.000MHZ = 25mA max   |
|   | 36.000MHZ - 70.000MHZ = 60mA max  |
|   | 70.000MHZ - 150.000MHZ = 80mA max   |
| Current Consumption 15pf only)<br>(1.8V, 2.5V, 2.85V, 3.3V) | 1.000MHZ - 36.000MHZ = 20mA max   |
|   | 36.000MHZ - 70.000MHZ = 40mA max  |
|   | 70.000MHZ - 150.000MHZ = 60mA max   |
| 上升/下降时间Rise/Fall Time                                       | 10nS max  |

### Dimensions



## Ordering Information



## 使用电路图和引出端功能说明



|    |           |      |        |       |
|----|-----------|------|--------|-------|
| 引脚 | 1         | 2    | 3      | 4     |
| 功能 | 输出状态控制/NC | 地VSS | 输出QOUT | 电源VDD |

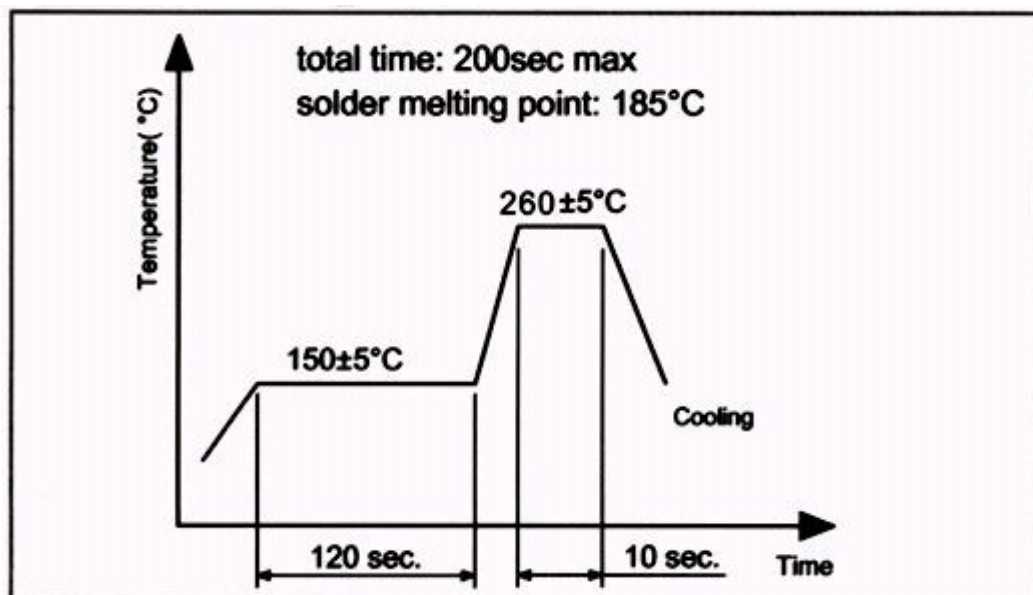
|           |                |              |
|-----------|----------------|--------------|
| 输出控制端INHB | "H" 高电平或开路OPEN | "L" 低电平 (三态) |
| 输出Qout    | 振荡器正常输出        | 高阻抗          |

注意：输出状态控制端INHB（三态端）不能接地，否则振荡器呈高阻抗

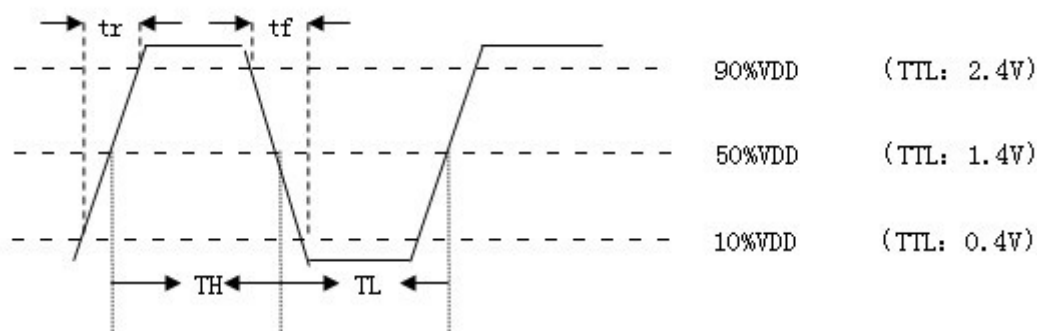
## 测试电路图



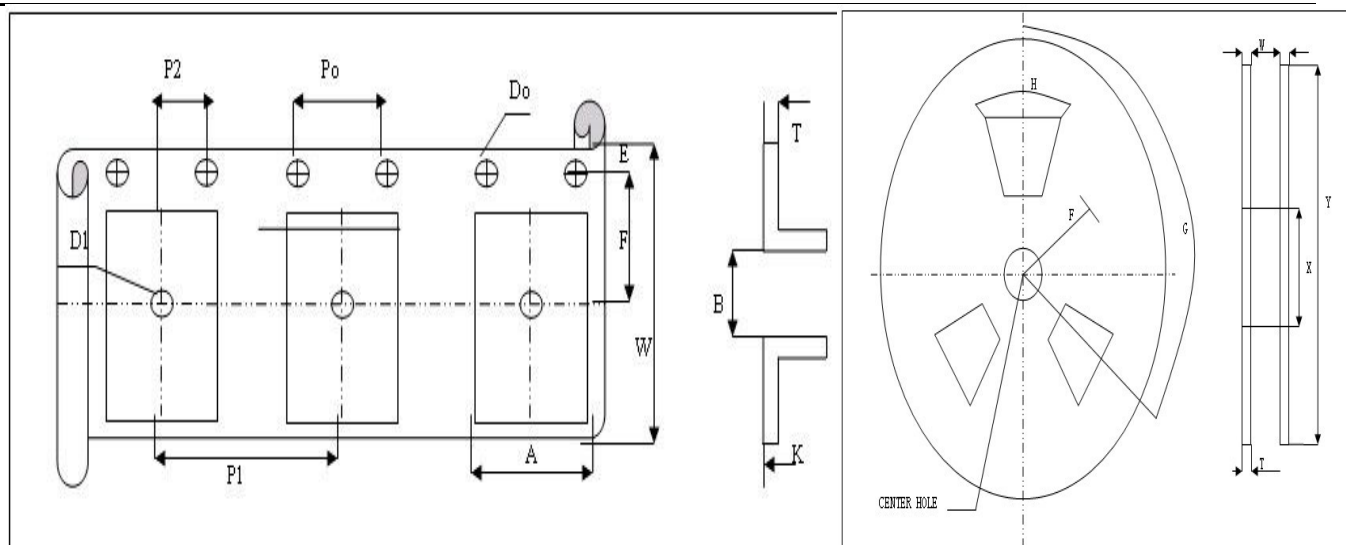
## ■ Reflow Condition



## ■ 输出波形图



■ 编带尺寸图TAPE:



|           |     |     |             |     |      |      |             |
|-----------|-----|-----|-------------|-----|------|------|-------------|
| Symbol    |     | A   | B           | Do  | D1   | E    |             |
| DIMENSION | 7*5 | 5.5 | 7.5         | 1.5 | 1.5  | 1.75 |             |
| Symbol    |     | K   | Po          | P1  | P2   | T    |             |
| DIMENSION | 7*5 | 1.9 | 4           | 8   | 2    | 0.3  | Unit<br>:mm |
| Symbol    |     | H   | F           | G   | W    | T    | Y           |
| Dimension | 7*5 | 40° | 21 ±<br>0.8 | 120 | 17.5 | 2    | 250         |