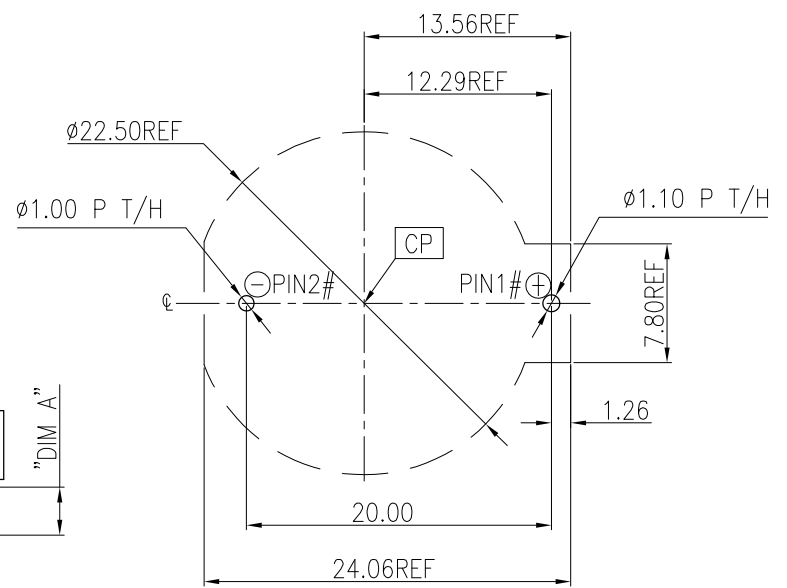
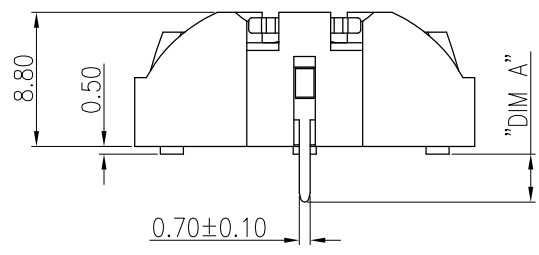
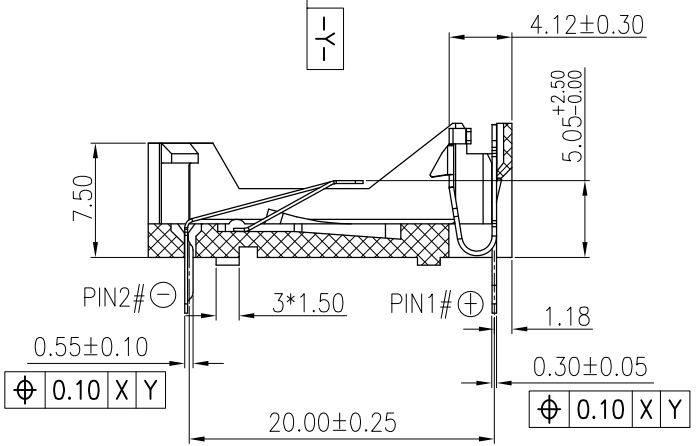
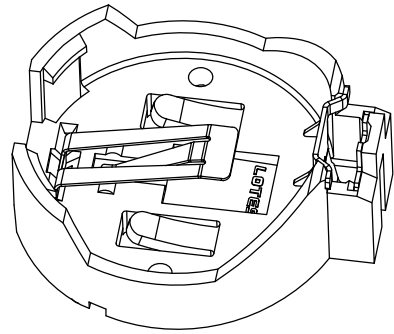
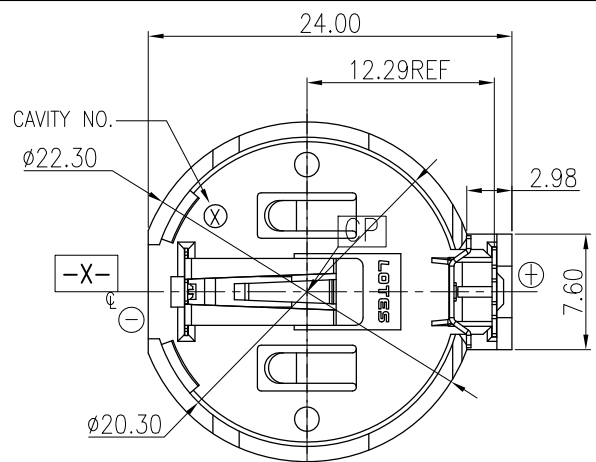


REV.	ECN NO./DESCRIPTION	DATE
11	N150617	12/10'15
12	N160146	03/30'16
12A	R160262	07/22'16



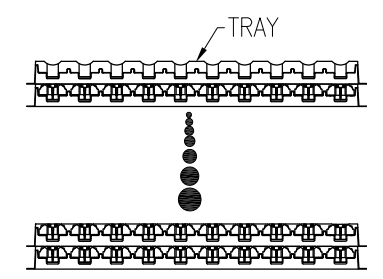
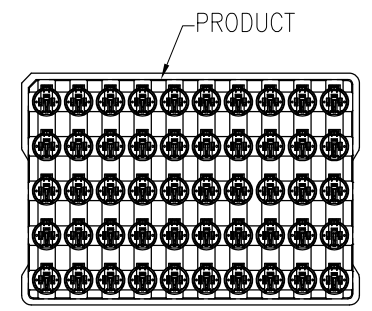
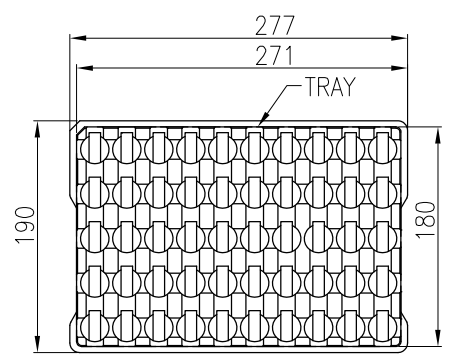
RECOMMENDED PCB LAYOUT(TOP VIEW)  
(PCB THICKNESS:T=1.60mm)(TOLERANCE:±0.05)

- NOTES:
- MATERIAL SPECIFICATION  
1-1.HOUSING:SEE TABLE;UL94V-0.  
1-2.CONTACTS:SEE TABLE.
  - PLATING SPECIFICATION:SEE TABLE
  - ELECTRICAL PERFORMANCE  
LLCR:30mΩ MAX.  
INSULATION RESISTANCE:1000MΩ MIN.  
DIELECTRIC WITHSTANDING:1000V AC FOR 1MINUTE.
  - WAVE SOLDER:CONNECTOR MOUNTED ON THE PCB,THE TEMPERATURE OF THE SOLDER SHALL BE 260±5°C AND IMMERSION DURATION 3~5 SECONDS.
  - IR REFLOW:THE PEAK TERMPERTURE ON THE BOARD SHALL BE MAINTAINED 10 SECONDS AT 260±5°C.

- 6.RoHS OR HF COMPLIANT.
- 7.PRODUCT NUMBER NOTE:  
AAA-BAT-XXX-XXX
- CONNECTOR
  - TYPE SERIAL NUMBER
  - K/T/F/M:RoHS COMPLIANT
  - P/W/Y:HF COMPLIANT
  - PRODUCT SERIAL NUMBER
  - PRODUCT TYPE
  - FINISHED PRODUCT
  - CARD EDGE CONNECTOR

GENERAL TOLERANCES UNLESS SPECIFIED		PART NO.	<b>LOTES</b>		
.X± 0.35	X°± 3°	SEE TABLE	TITLE BATTERY HOLDER FOR CR2032		
.XX± 0.25	X°± 2°	APPROVED BY <b>JIE_LIAO</b>	DWG NO. GAP-AAA-BAT-029		
.XXX± 0.15	.XX°± 1°	CHECKED BY <b>YONG_LIU</b>	DRAWN BY <b>PEIYU_LOU</b>		
SIZE A4	UNITS mm[INCH]	CUSTOMER DRAWING		SHEET 1 / 2	SCALE 2:1
				REV 12A	

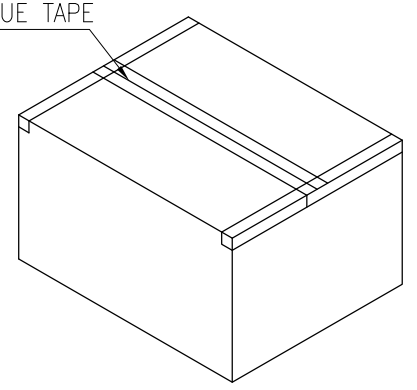
REV.	ECN NO./DESCRIPTION	DATE
11	N150617	12/10'15
12	N160146	03/30'16
12A	R160262	07/22'16



TOTAL 42PCS TRAY(2000PCS PRODUCT)  
(TOW ROW AND 21 LAYER)

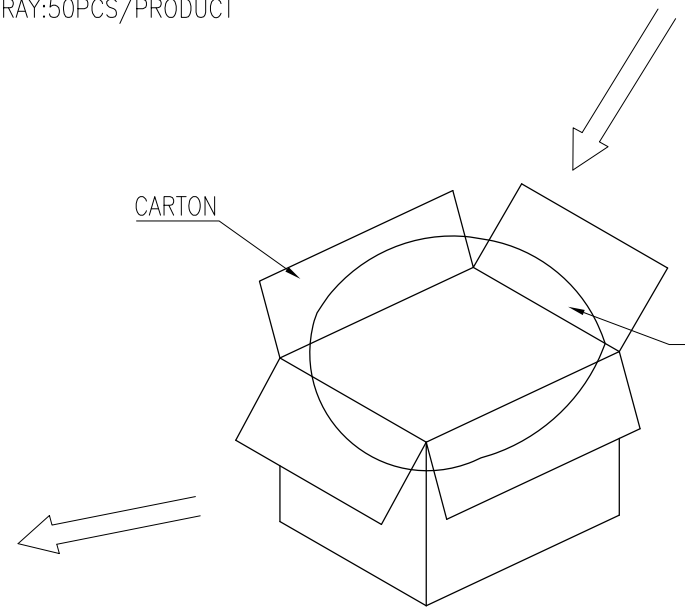
1TRAY:50PCS/PRODUCT

TRANSPARENT GLUE TAPE



CARTON

PE BAG



GENERAL TOLERANCES UNLESS SPECIFIED		PART NO.	<b>LOTES</b>			
.X± 0.35	X°± 3°	SEE TABLE				
.XX± 0.25	.X°± 2°	APPROVED BY	TITLE			
.XXX± 0.15	.XX°± 1°	JIE_LIAO	BATTERY HOLDER FOR CR2032			
CUSTOMER DRAWING		CHECKED BY	DWG NO.			
		YONG_LIU	GAP-AAA-BAT-029			
SIZE	UNITS	DRAWN BY		SHEET	SCALE	REV
A4	mm[INCH]	PEIYU_LOU				

	1	2	3	4	5	6	7	8
F								
E								
D								
C								
B								
A								

TABLE

AAA-BAT-029-K01	PBT+30%G.F,BLACK	Positive And NegativeC2680. Ni50u" Underplating,MATTE Sn100u"Min. ON Solder tail	3.15	WAVE SOLDER PROCESS
AAA-BAT-014-K01				
LOTES P/N	HOUSING	CONTACT	DIM"A"	COMPLIANT PROCESS