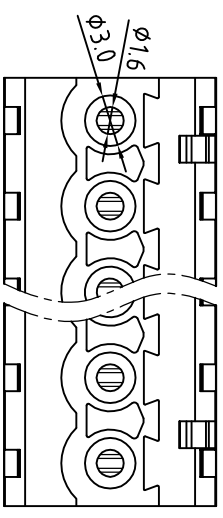
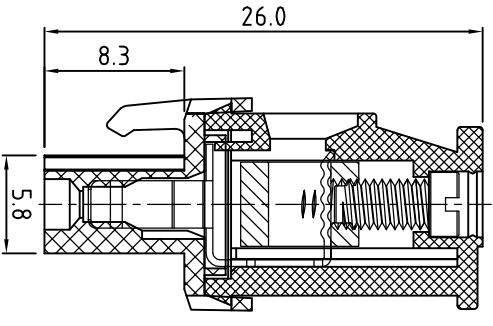
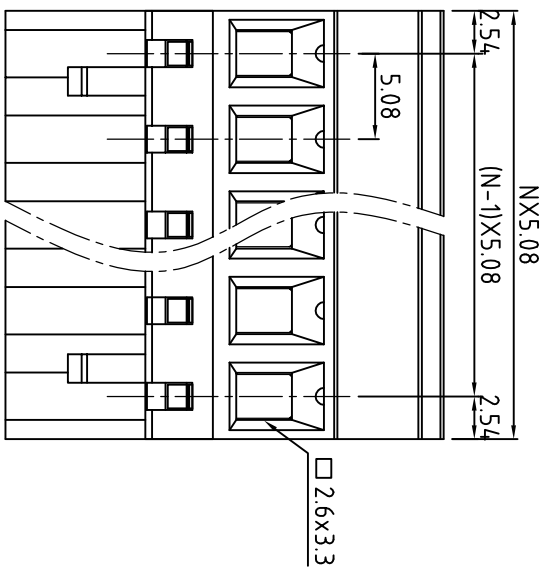
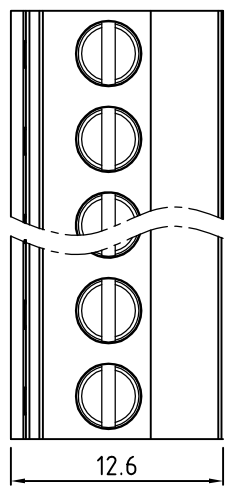


SIGN	DESCRIPTION	DATE	APPROVER



Technical Data:

Material:

Contact(metal housing): Copper Alloy with Ni plated  
 Terminal screw: Steel galvanized with Cr3+ plated  
 Wire guard: Copper Alloy, Tin plated.  
 Insulator body(housing): Polyamide(UL94V-0)

Electrical

Voltage rating: 300VAC  
 Current rating: 16 Amps/way max  
 Contact resistance: 20mΩ (max)

Withstanding Voltage: 2500VAC(1min) Test time=60sec/1pcs  
 Wire range: 12-26AWG

Mechanical:

Torque: 5.0kgf.cm/M3  
 Operating temperature: -40°C to +105°C  
 Soldering reliability:  
 Test temperature= 250°C±10°C  
 5 seconds max

Ordering Information:

F75-B-E XX-X 0 0 X 0

- 2 02 5 GREEN
- 24 24 6 BLUE
- 1 "-" SCREW
- 2 "-/+ " SCREW

**WELINK**

恒翔电子科技有限公司  
 Welink International Co., LTD.

TOLERANCE	APPROVED:	NAME:
X. ±0.50	CHECKED:	F75-B Pitch 5.08mm
XX ±0.30	DRAWN: Yang Ming	-series
XXX ±0.20	UNITS: mm	
X° ±1°	REV: A	
SCALE: 3 / 1	PAGE: 1 / 1	PART NO: F75BEXX100X0
		DWG NO: 9F75BE001A